

[54] TABLE

[75] Inventors: Philip L. Null, Maiden; Richard G. Brown, High Point, both of N.C.

[73] Assignee: Null Manufacturing Corporation

[**] Term: 14 Years

[21] Appl. No.: 722,353

[22] Filed: Sep. 13, 1976

[51] Int. Cl. D6-03

[52] U.S. Cl. D6/177

[58] Field of Search D6/146, 147, 148, 149, D6/151, 177, 178, 179, 68, 62, 63; 108/161

[56]

References Cited

U.S. PATENT DOCUMENTS

D. 233,872	12/1974	Jester	D6/177
D. 239,672	4/1976	Adkinson	D6/177
D. 240,184	6/1976	Neuschaefer	D6/177 X

OTHER PUBLICATIONS

"Lane Occasional Tables" Cat. Rec'd. 2-2-1974, p. 66, table bottom right.

Primary Examiner—Bruce W. Dunkins

Attorney, Agent, or Firm—Julian E. Carnes, Jr.

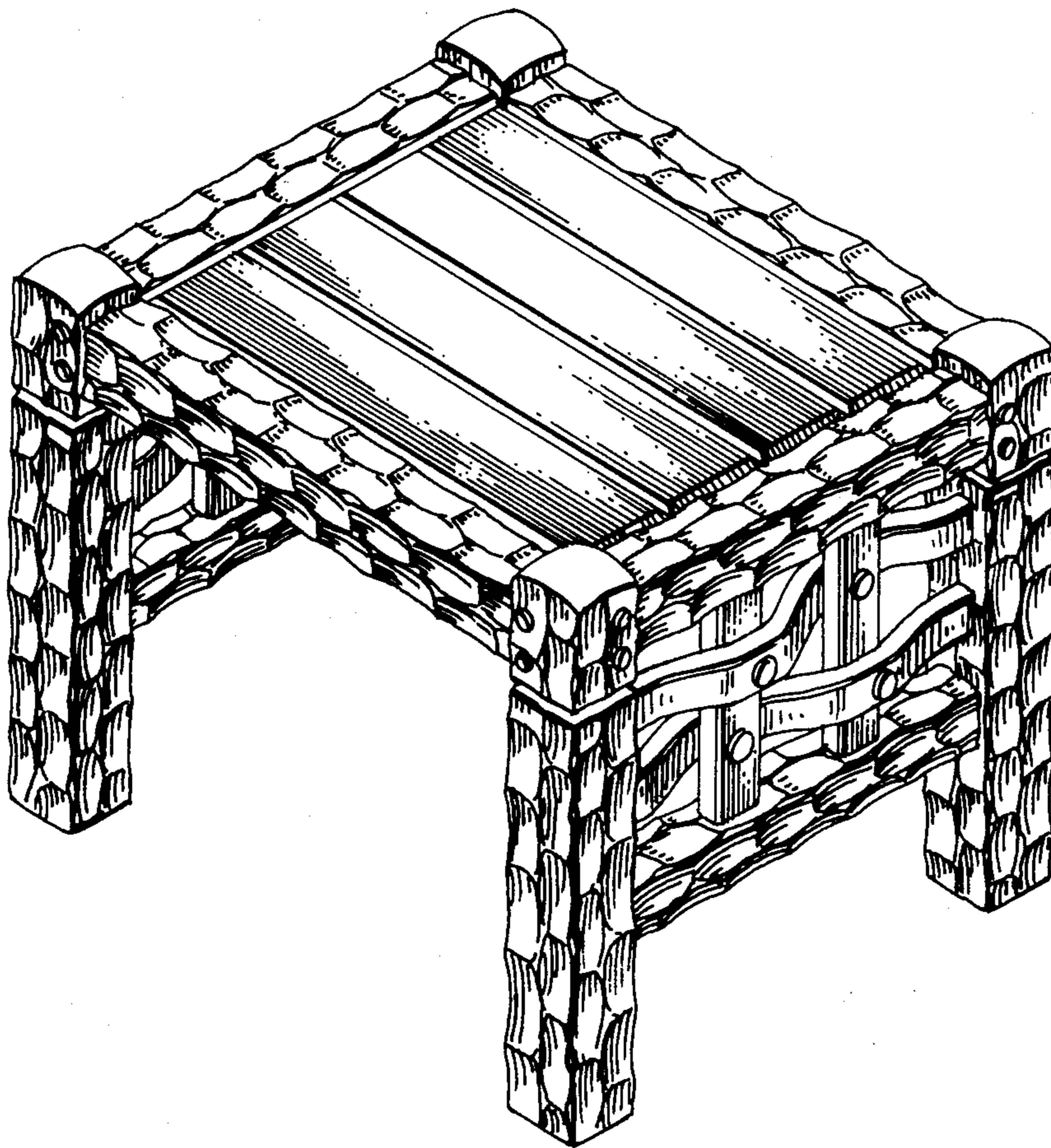
[57]

CLAIM

The ornamental design for a table, as shown.

DESCRIPTION

FIG. 1 is a front perspective view of a table showing our new design incorporated in an end table; and FIG. 2 is a front perspective view of a table showing our new design incorporated in a coffee table.



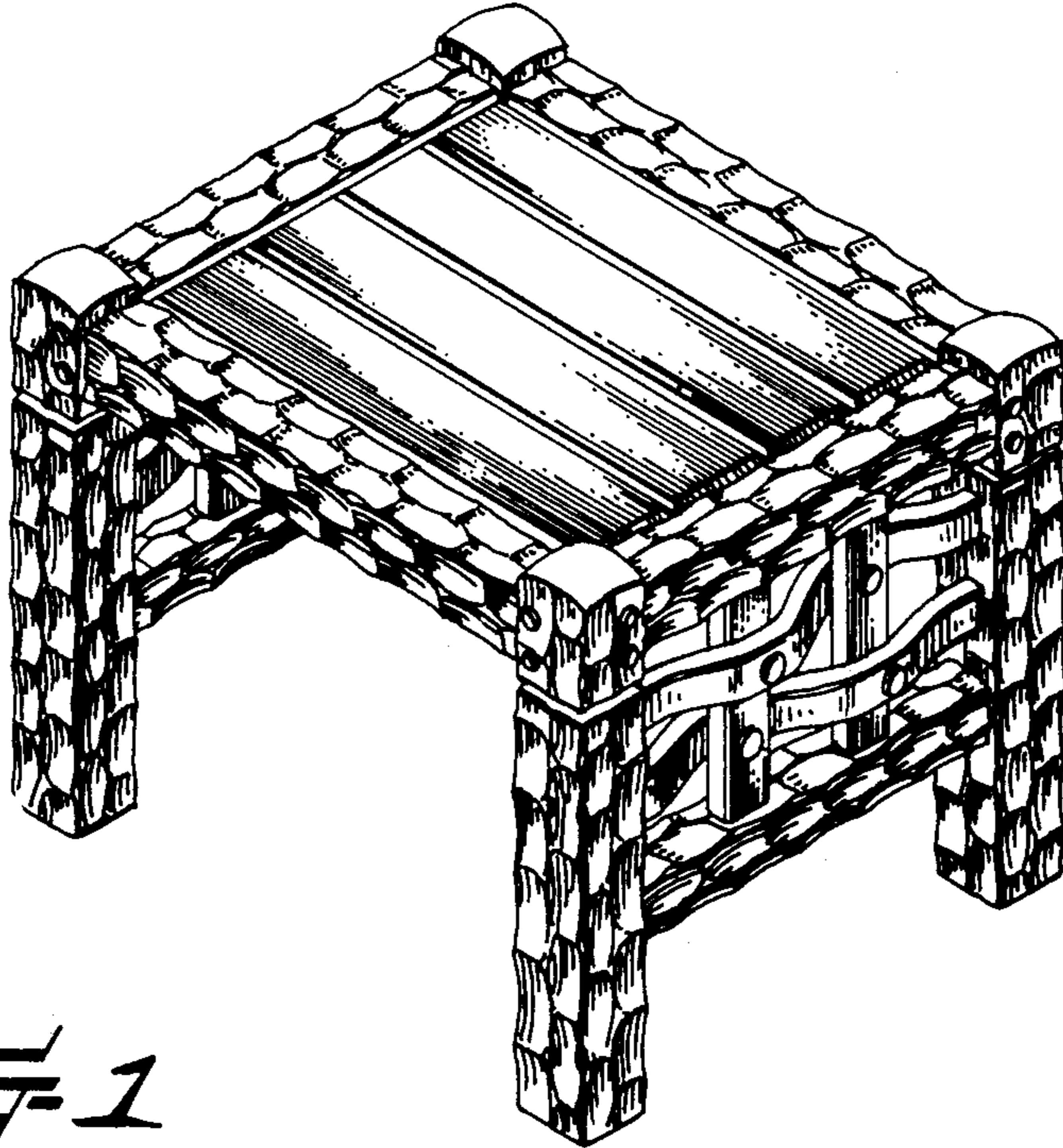


FIG-1

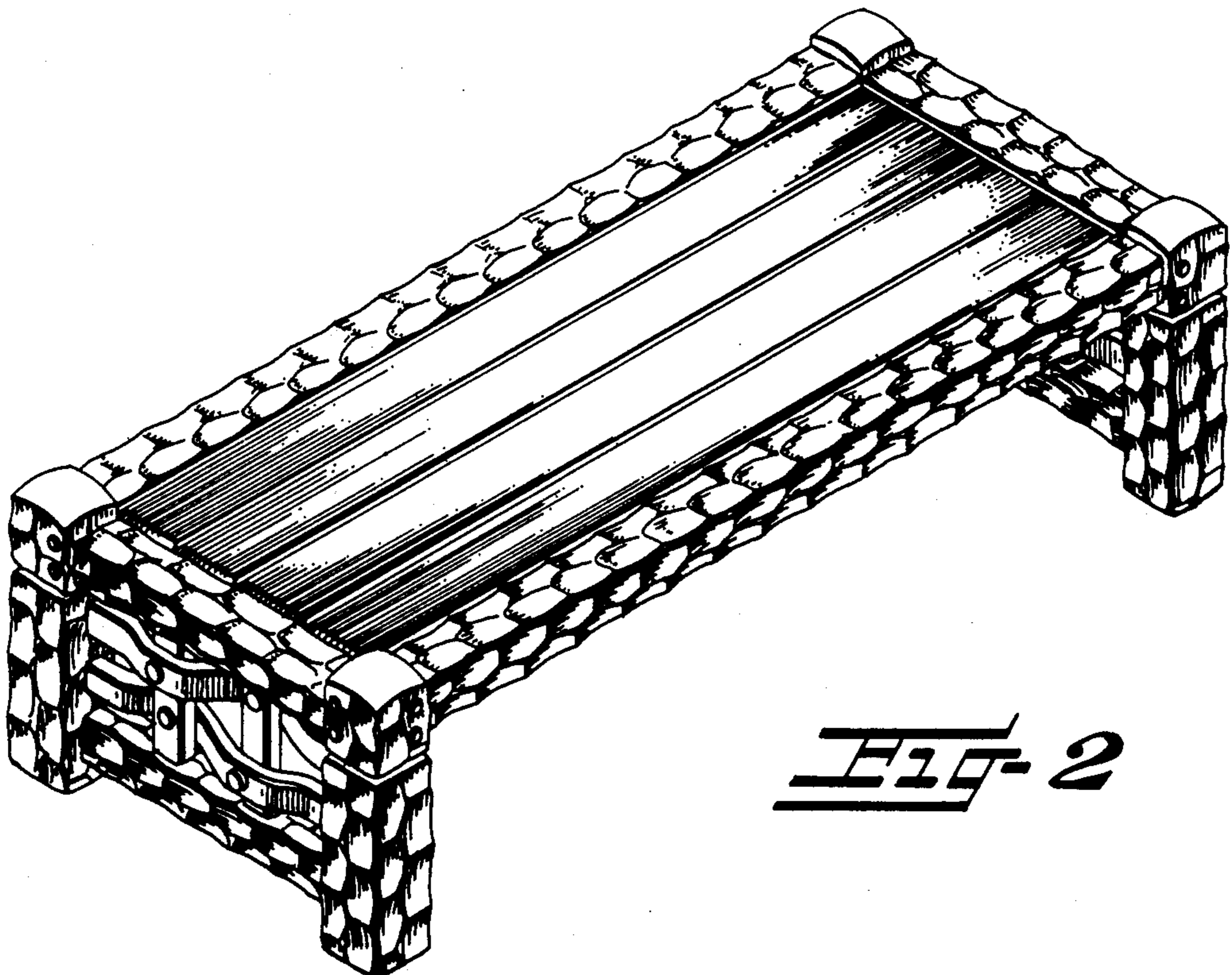


FIG-2