

[54] TABLE

[76] Inventor: Lafayette Harris, 3064 N. Glen, Altadena, Calif. 91001

[**] Term: 14 Years

[21] Appl. No.: 713,657

[22] Filed: Aug. 12, 1976

[51] Int. Cl. D6-03

[52] U.S. Cl. D6/175

[58] Field of Search D6/27, 175, 176, 177, D6/178, 179, 180; 108/161

[56] References Cited

U.S. PATENT DOCUMENTS

D. 96,633	8/1935	Swanson	D6/175
D. 142,211	8/1945	Glukes	D6/175
D. 151,119	9/1948	Eames	D6/176
D. 185,585	6/1959	Sundberg	D6/176
D. 237,335	10/1975	Ginat	D6/175

OTHER PUBLICATIONS

Interiors, Sept. 1973, p. 125, desk at center.

Primary Examiner—Bruce W. Dunkins

Attorney, Agent, or Firm—Robert L. Parker

[57] CLAIM

The ornamental design for a table, substantially as shown and described.

DESCRIPTION

FIG. 1 is a perspective view of a table according to one embodiment of my new design, with a top, a front side, and a right end thereof facing the viewer;

FIG. 2 is a top plan view of the embodiment of FIG. 1;

FIG. 3 is a front side elevation view of the embodiment of FIG. 1;

FIG. 4 is a bottom plan view of the embodiment of FIG. 1;

FIG. 5 is a rear side elevation view of the embodiment of FIG. 1;

FIG. 6 is a right side elevation view of the embodiment of FIG. 1;

FIG. 7 is a left side elevation view of the embodiment of FIG. 1;

FIG. 8 is a perspective view of a table according to another embodiment of my new design, with a top, a front side, and a right end thereof facing the viewer;

FIG. 9 is a top plan view of the embodiment of FIG. 8;

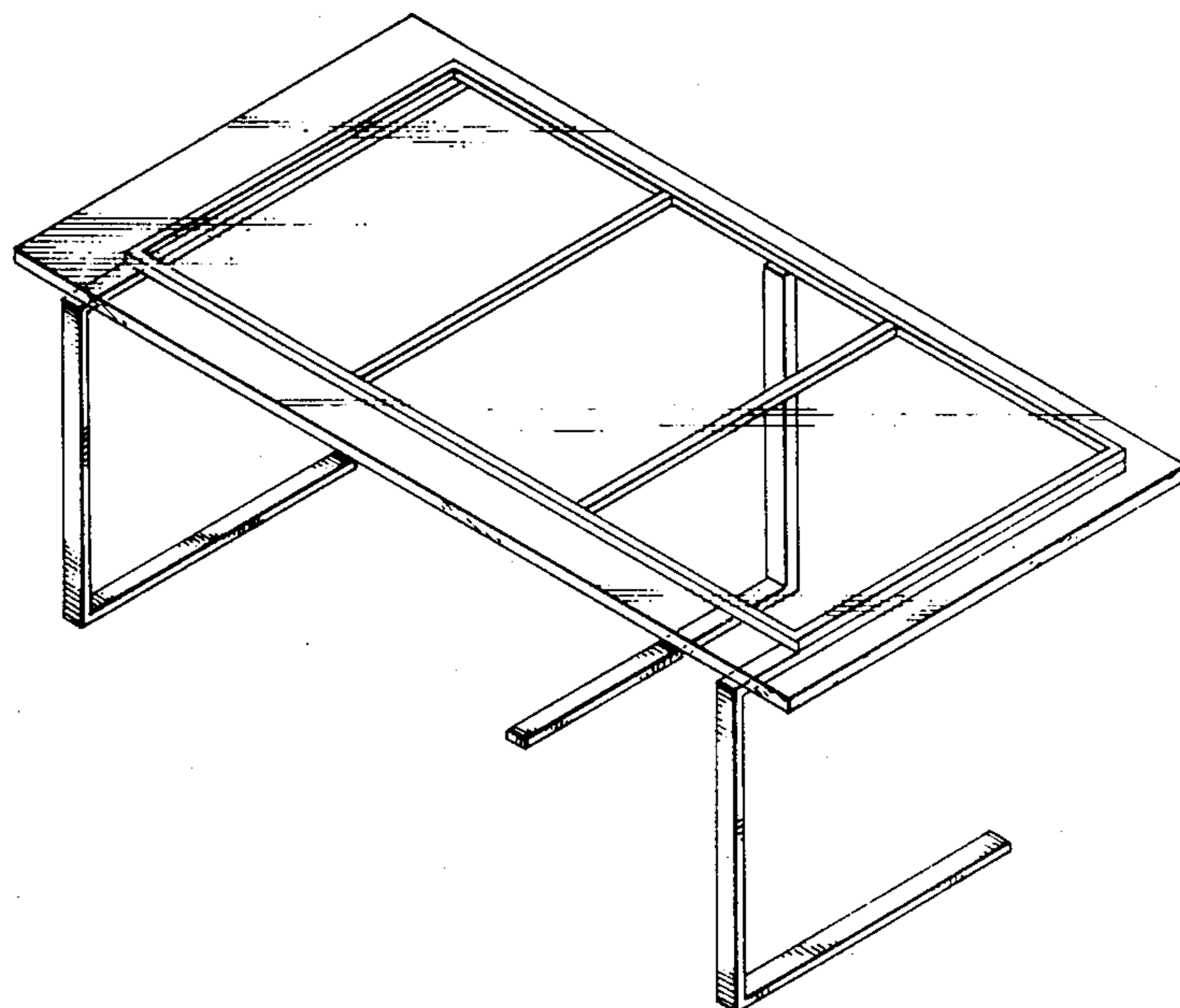
FIG. 10 is a front side elevation view of the embodiment of FIG. 8;

FIG. 11 is a bottom plan view of the embodiment of FIG. 8;

FIG. 12 is a rear side elevation view of the embodiment of FIG. 8;

FIG. 13 is a right side elevation view of the embodiment of FIG. 8;

FIG. 14 is a left side elevation view of the embodiment of FIG. 8.



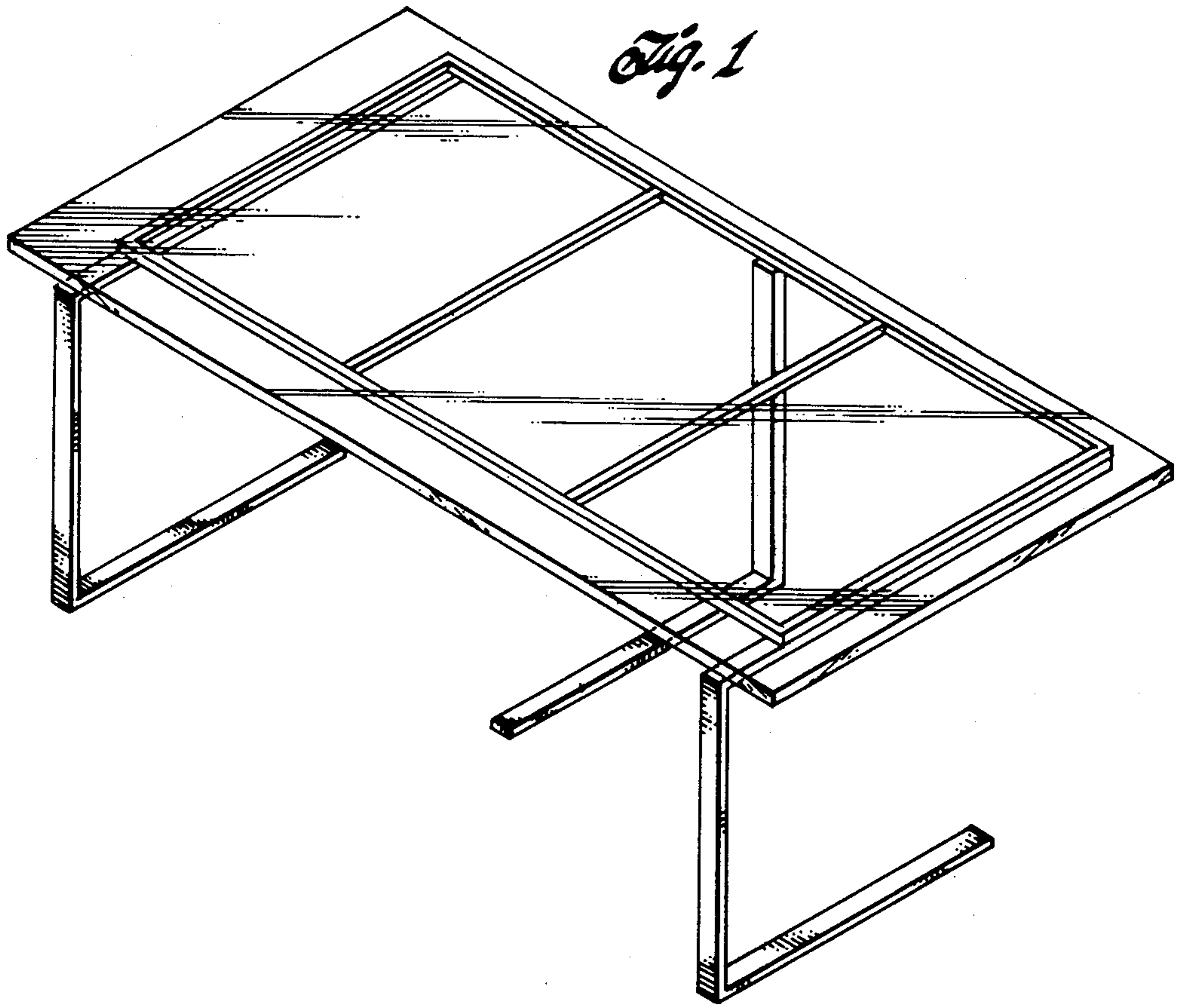


Fig. 2

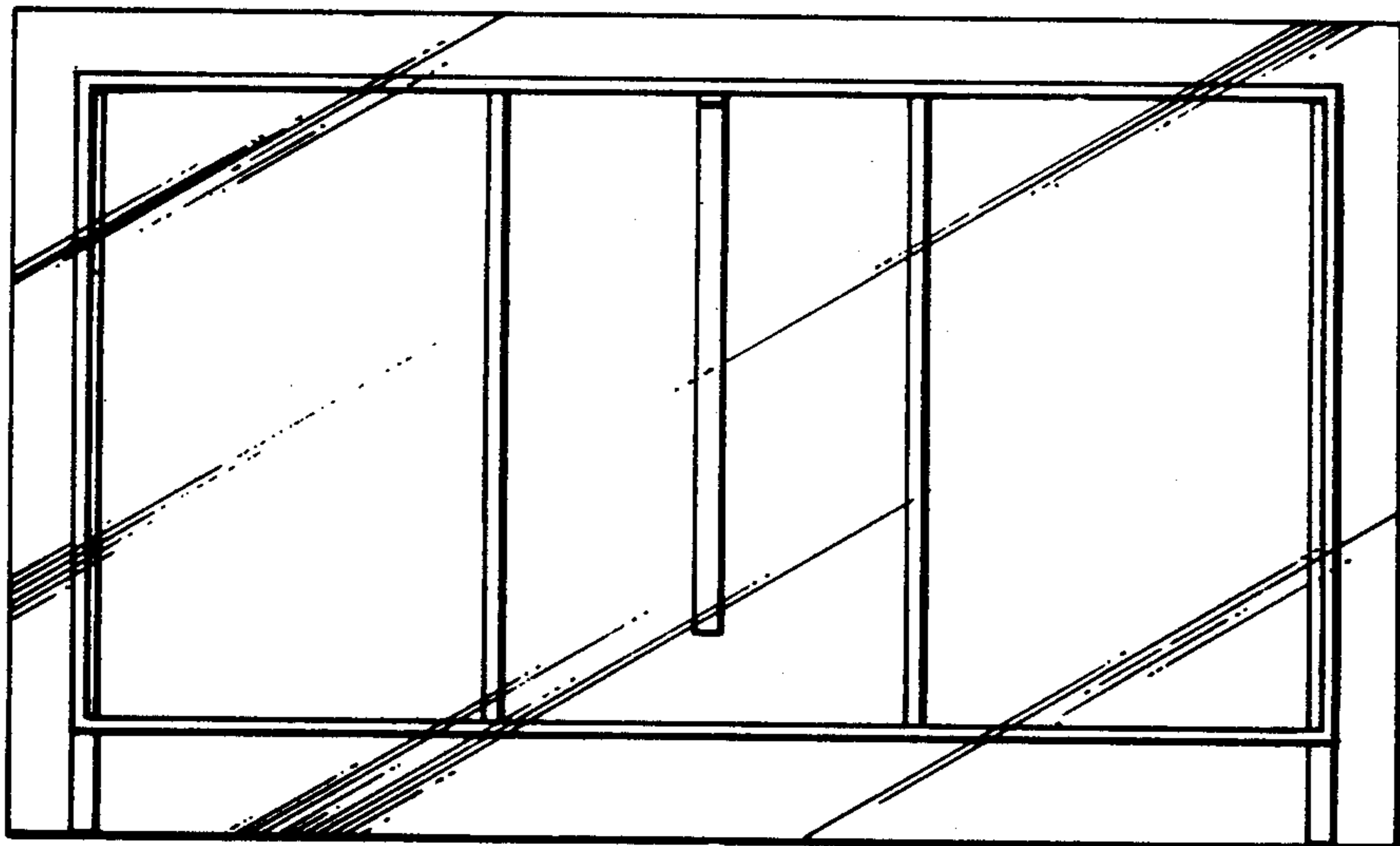


Fig. 3

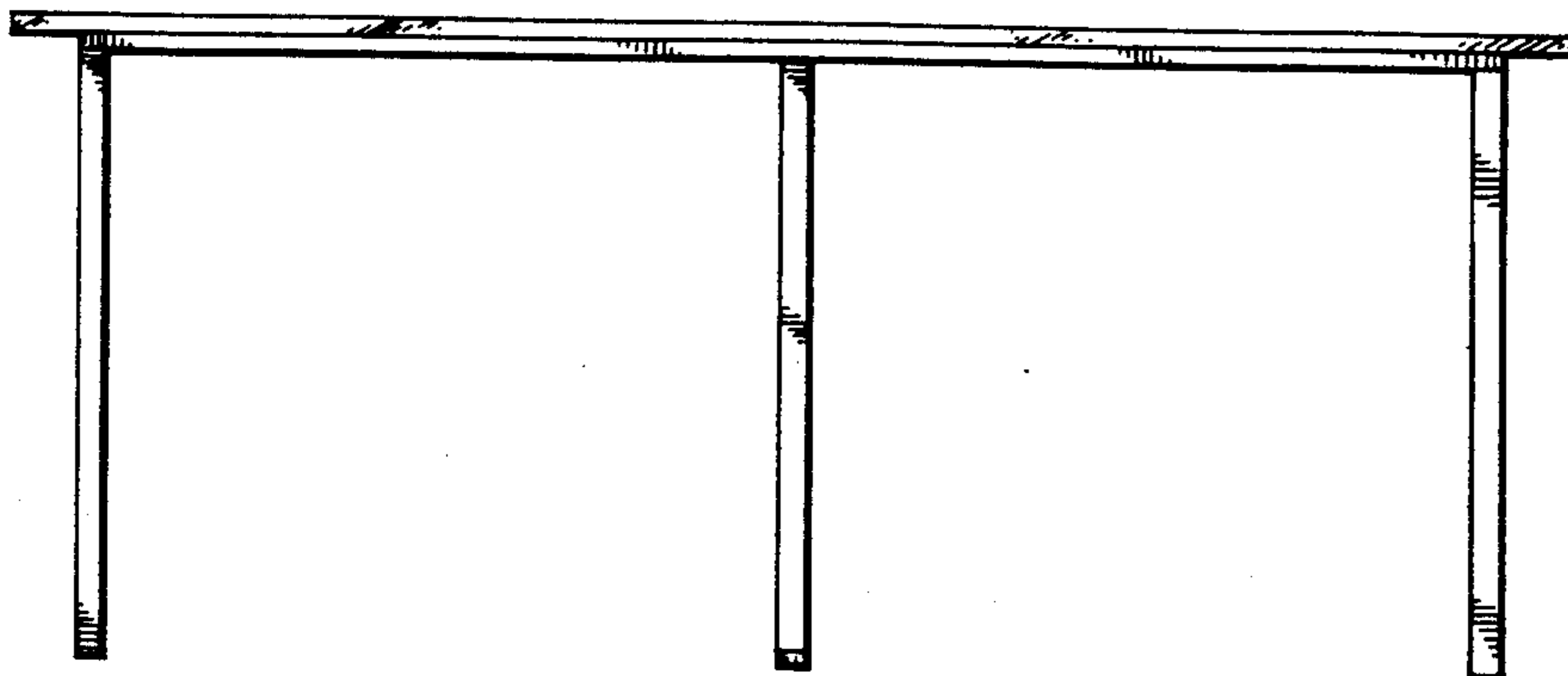


Fig. 4

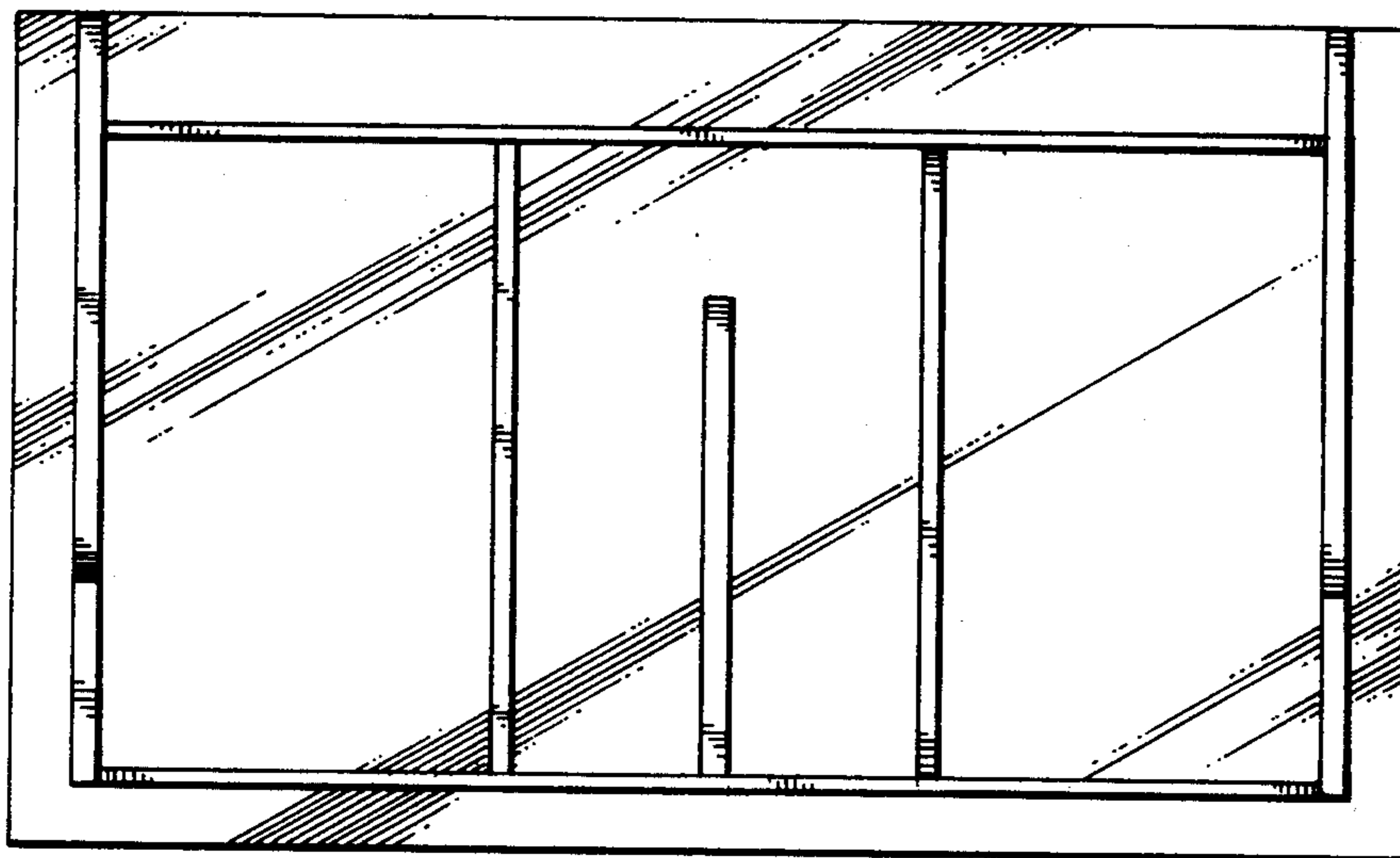


Fig. 5

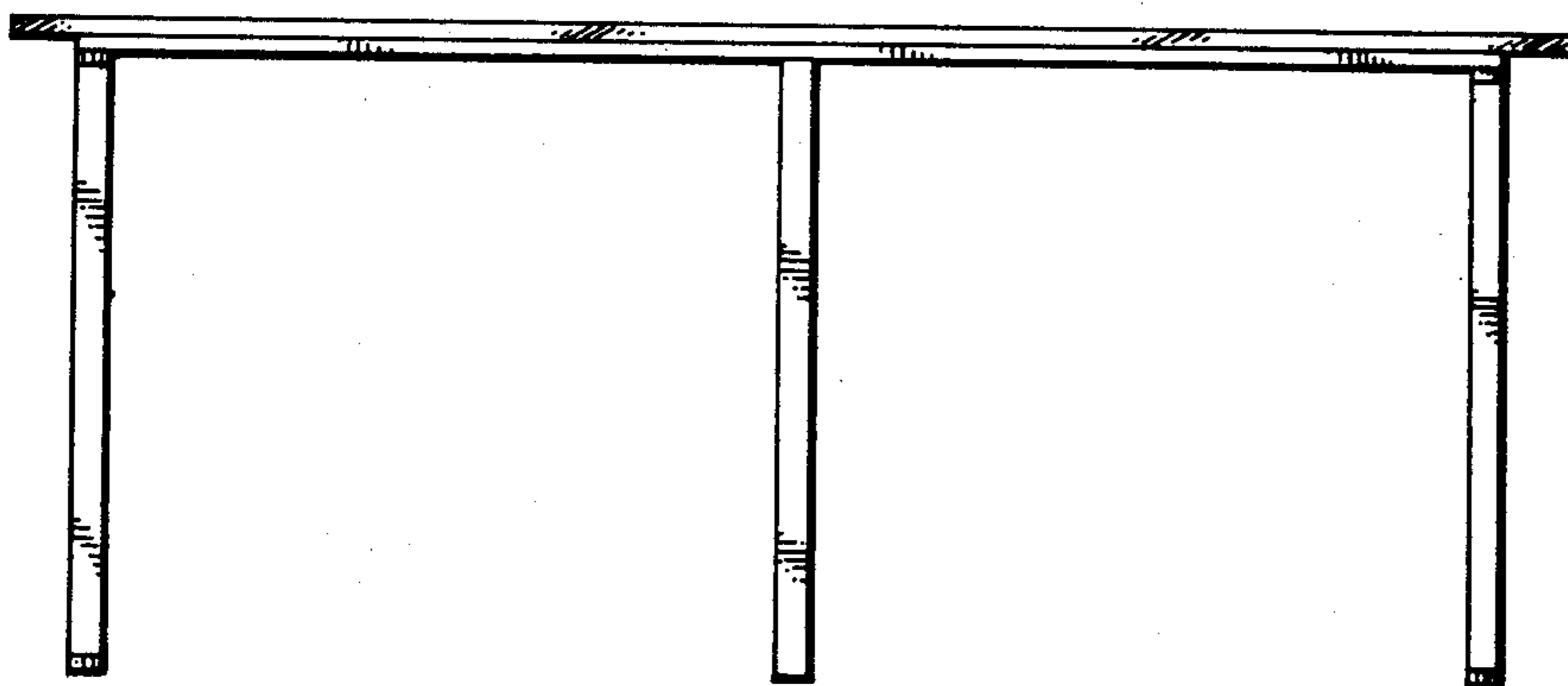


Fig. 6

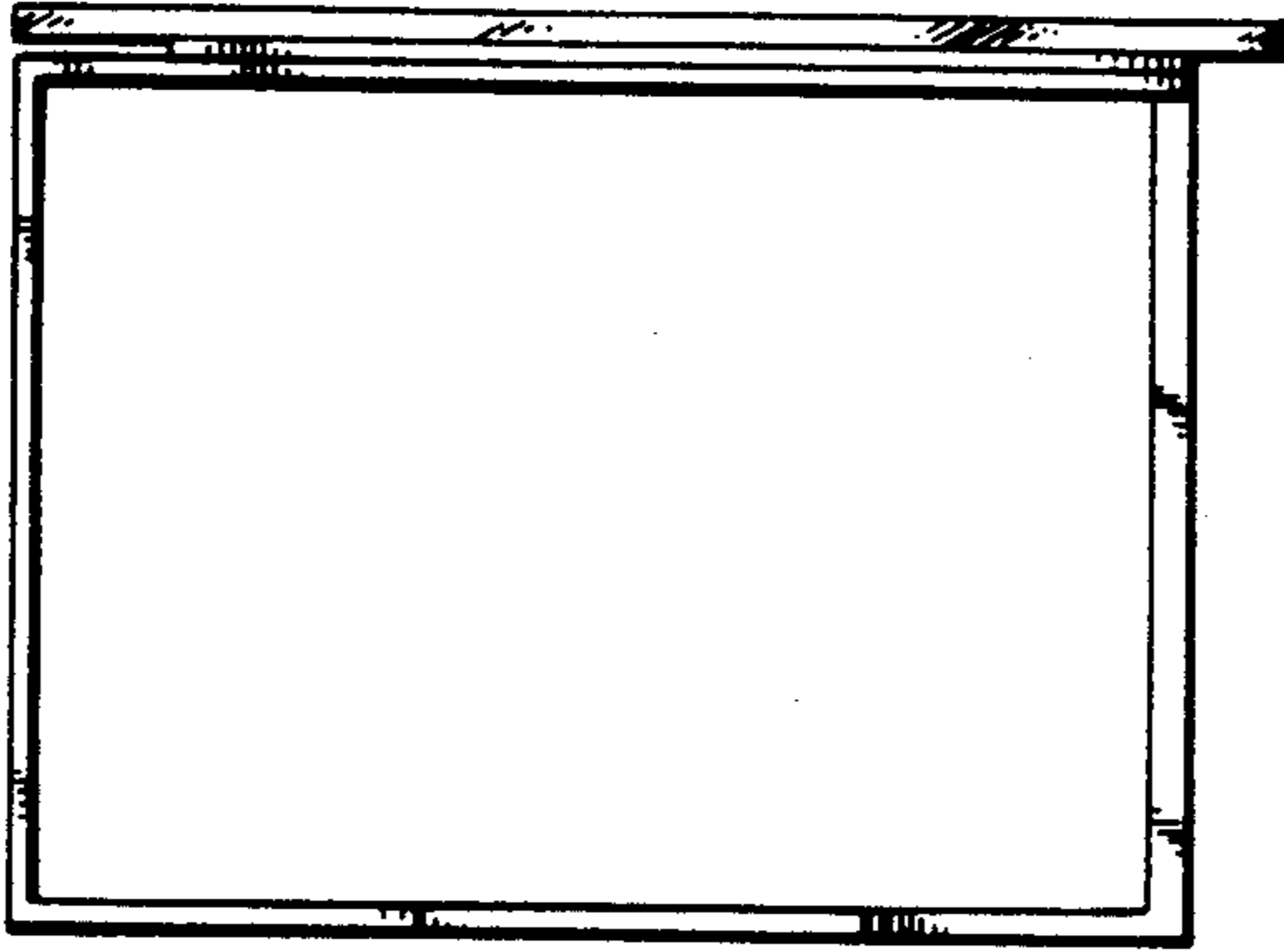
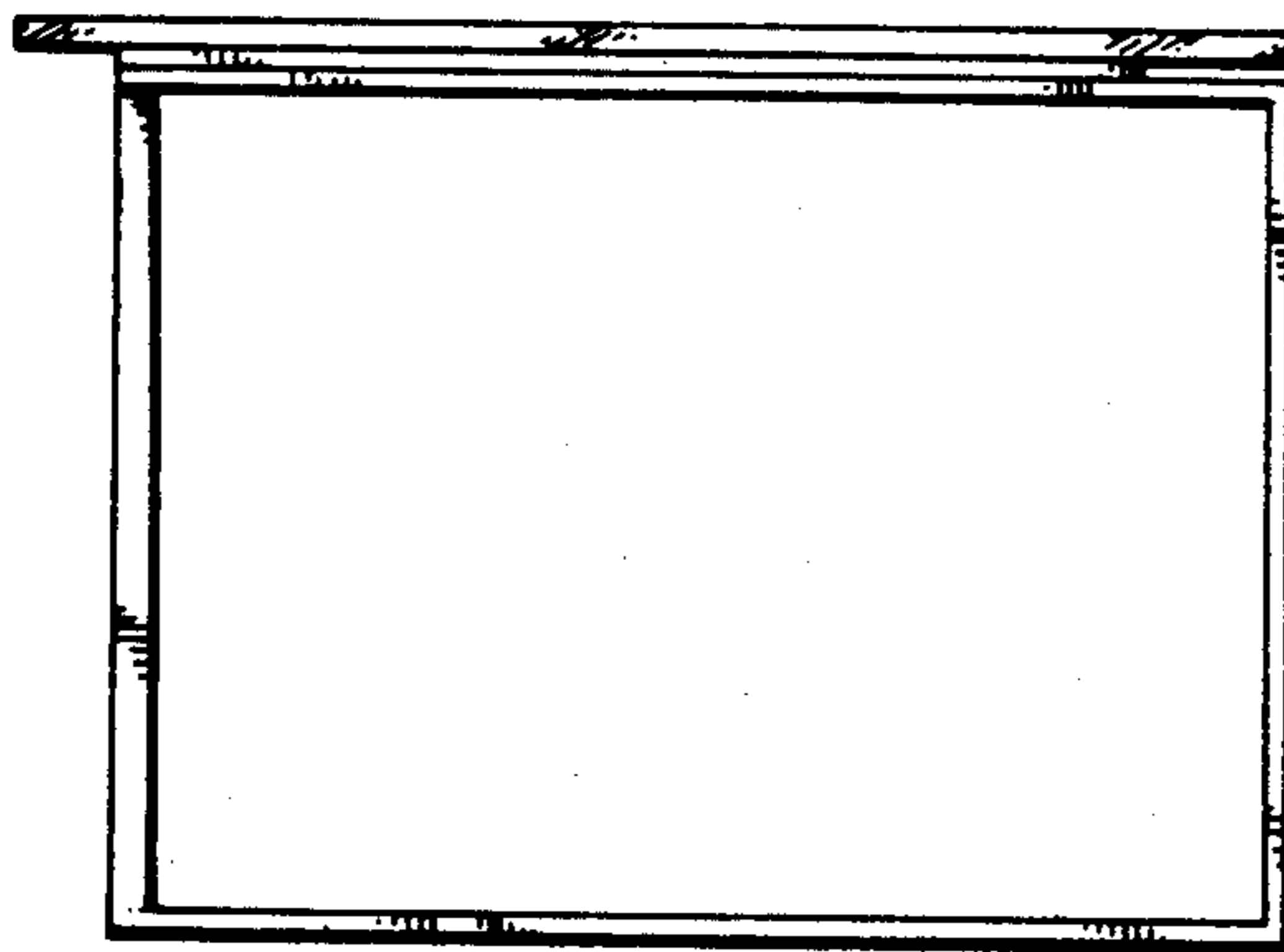


Fig. 7



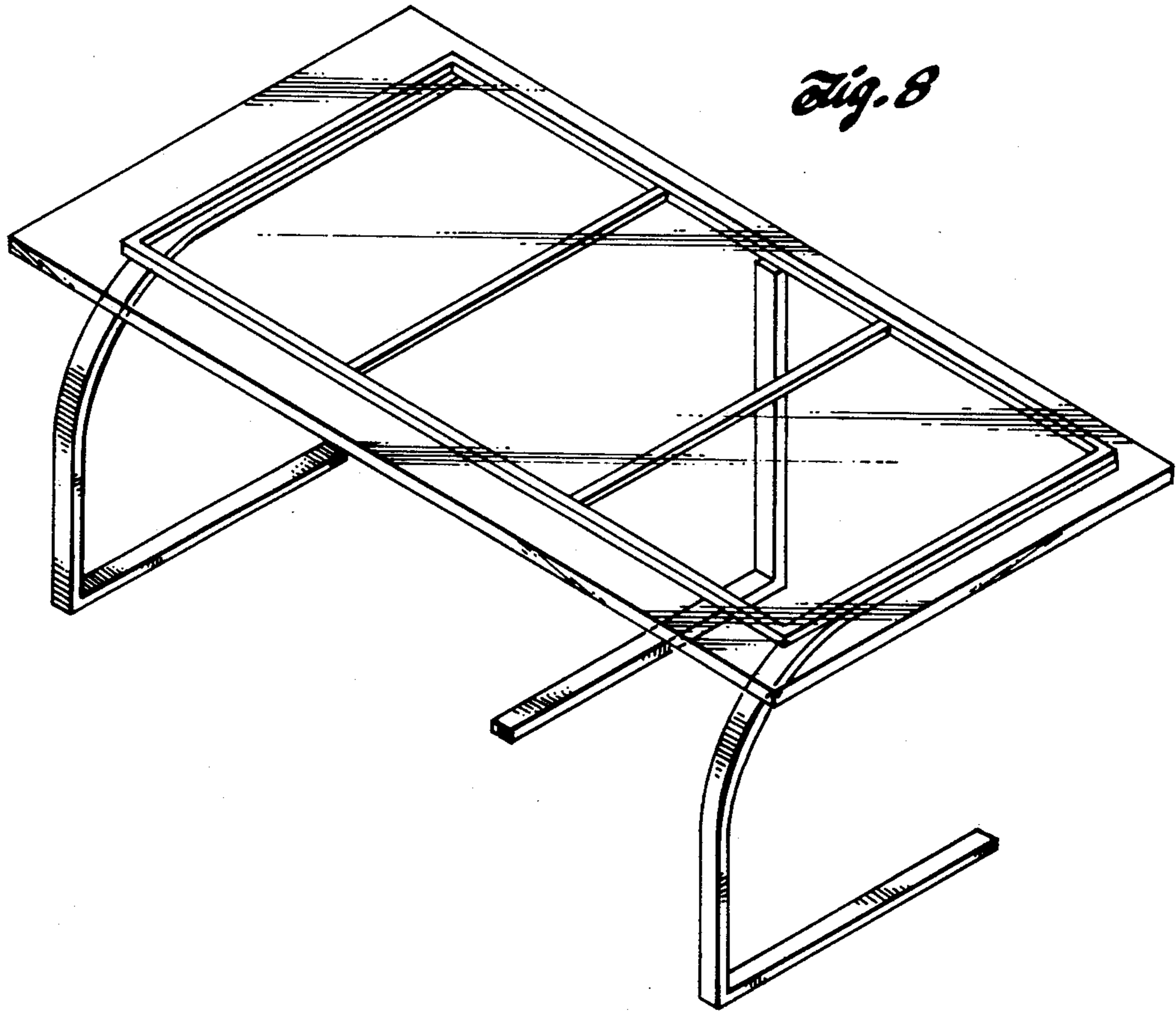


Fig. 8

Fig. 9

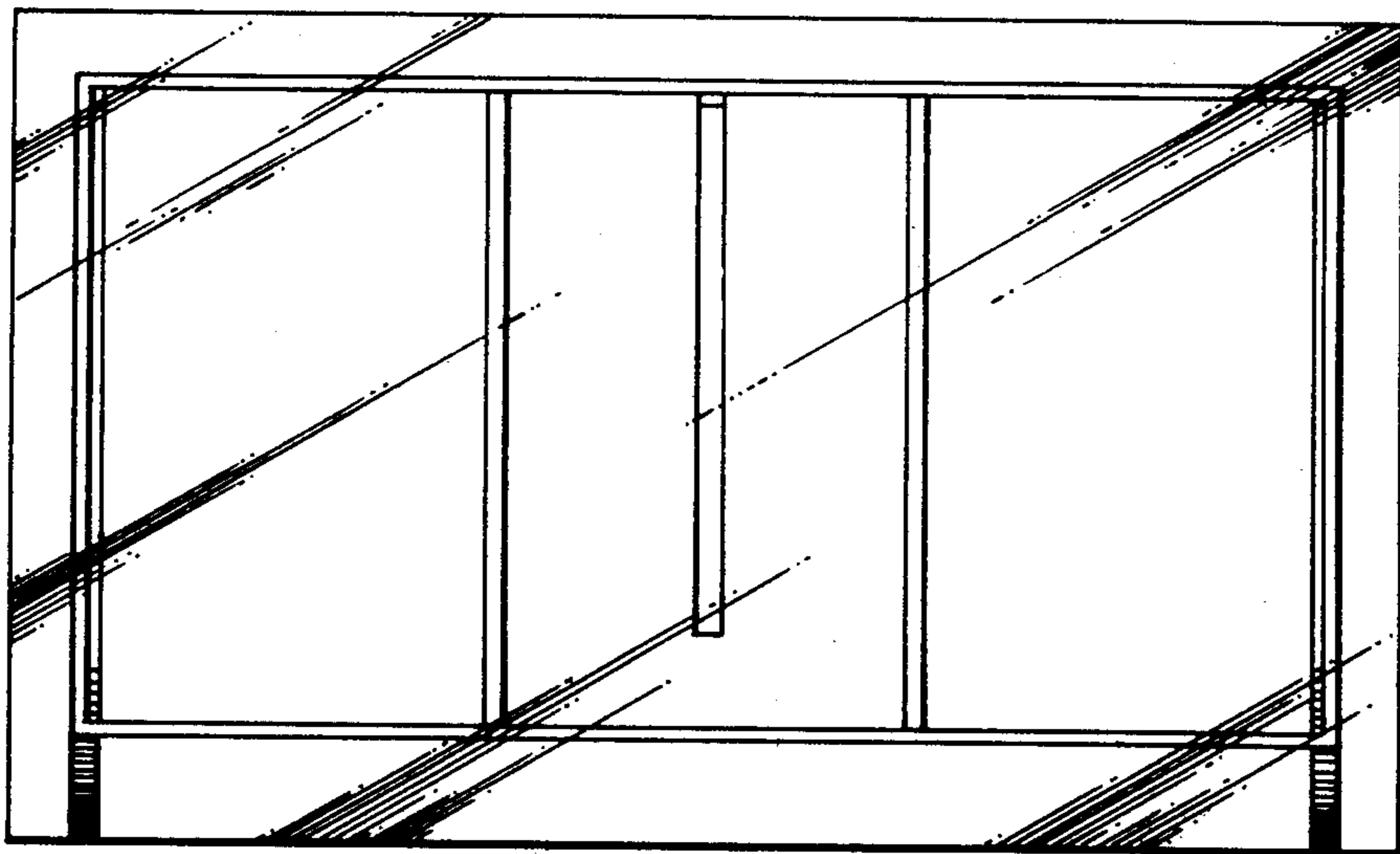


Fig. 10

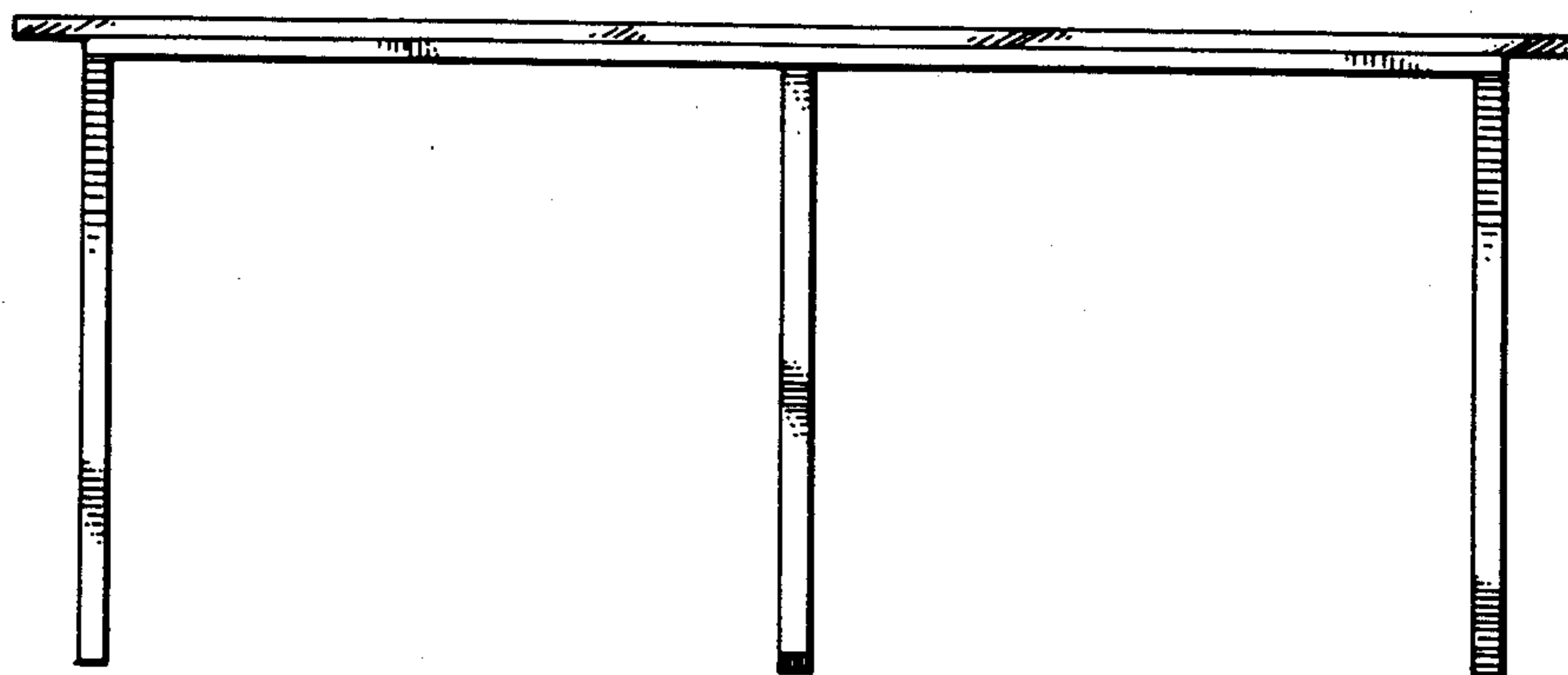


Fig. 11

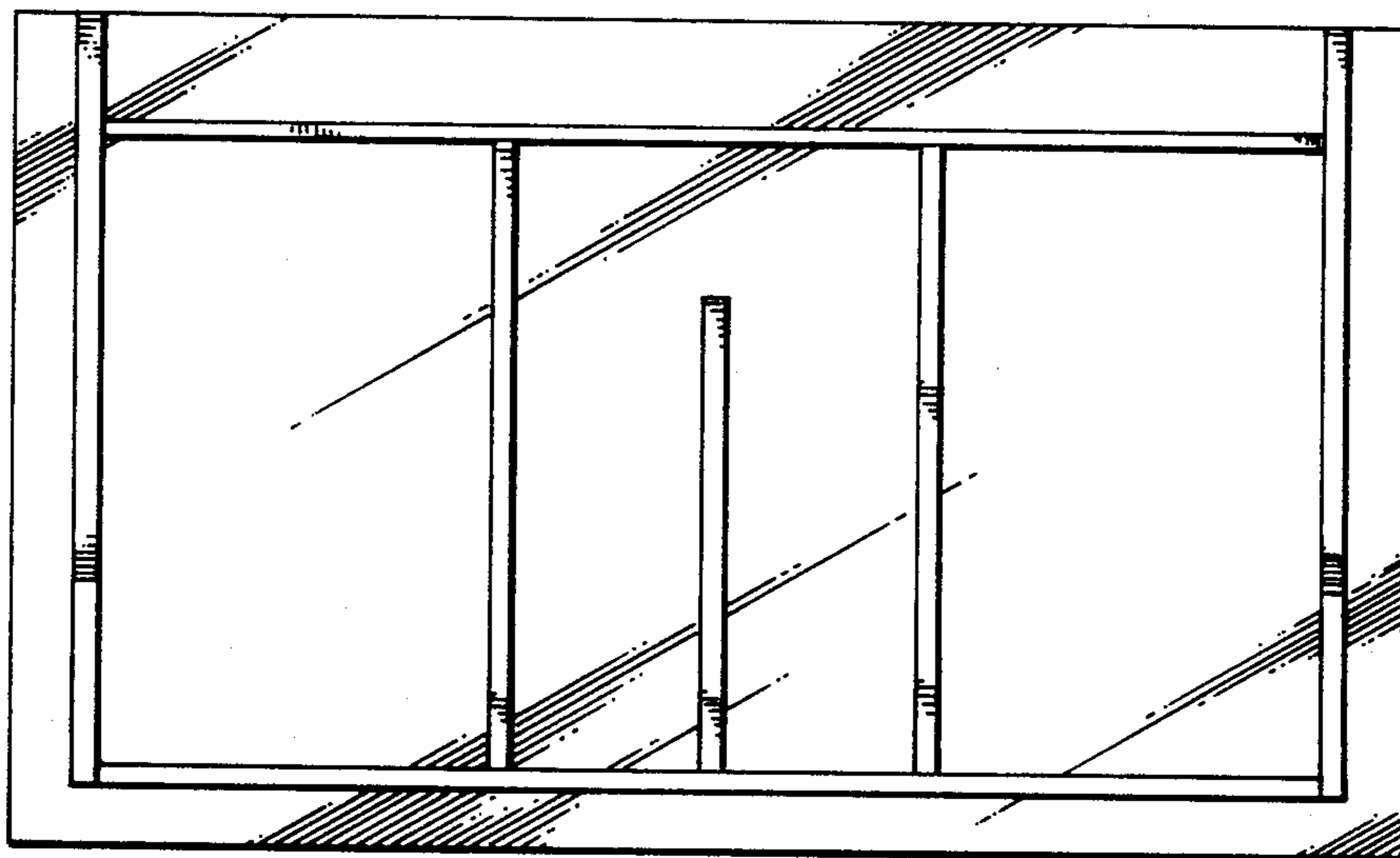


Fig. 12

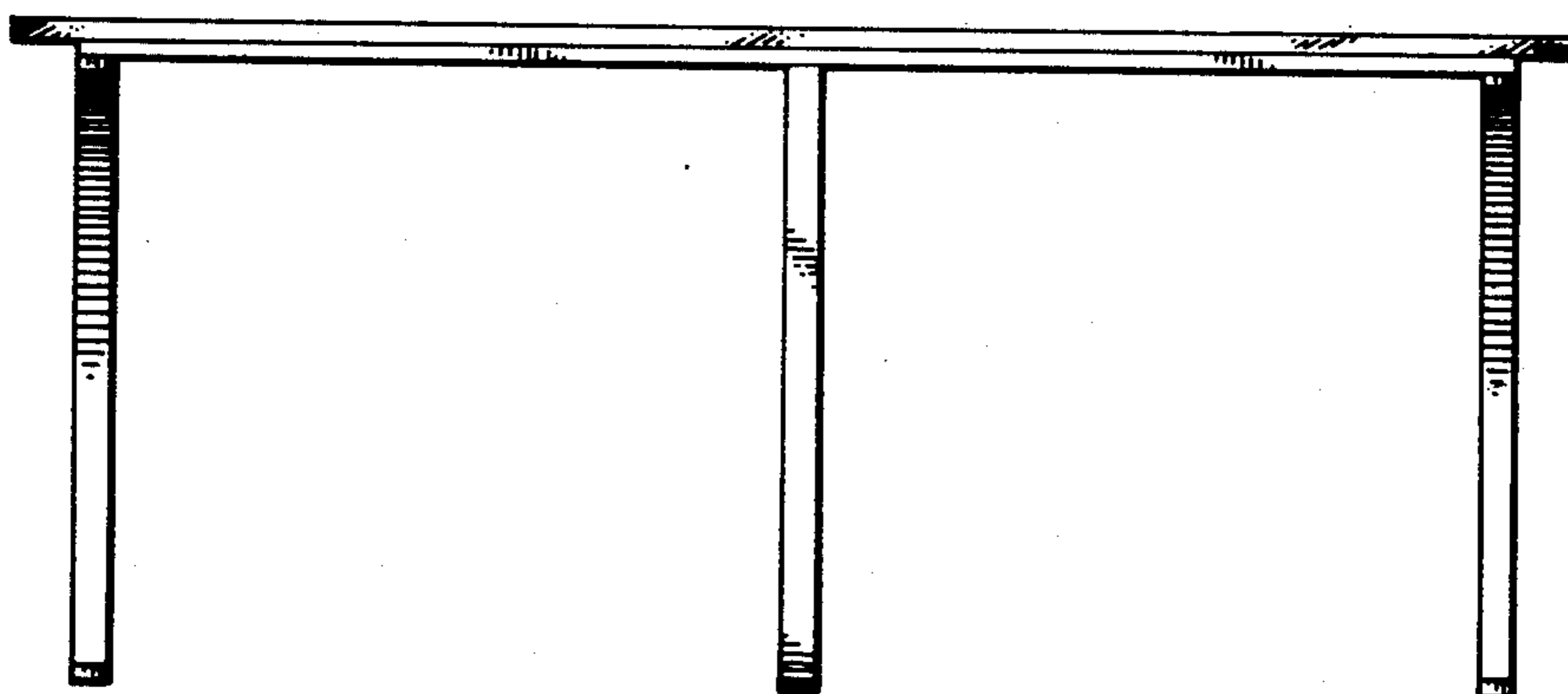


Fig. 13

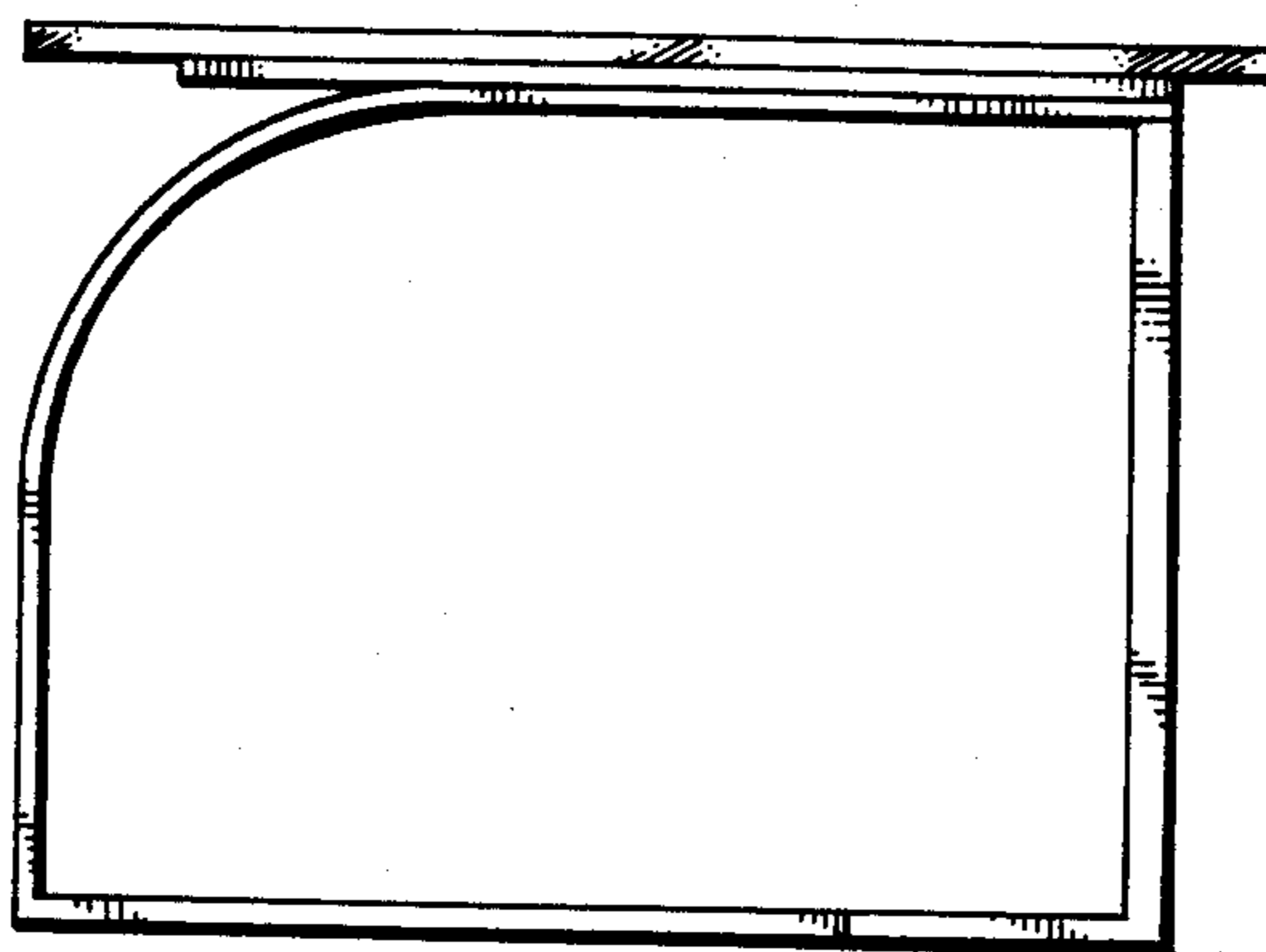


Fig. 14

