

[54] LABELING MACHINE

[75] Inventor: Yo Sato, Tokyo, Japan

[73] Assignee: Kabushiki Kaisha Sato Kenkyusho, Tokyo, Japan

[\*\*] Term: 14 Years

[21] Appl. No.: 678,725

[22] Filed: Apr. 20, 1976

[30] Foreign Application Priority Data  
Dec. 13, 1975 Japan ..... 50-48864

[51] Int. Cl. .... D18-99

[52] U.S. Cl. .... D64/10

[58] Field of Search ..... D64/10; 156/384

[56] References Cited

U.S. PATENT DOCUMENTS

Re. 27,889	1/1974	Sato et al. ....	156/384
D. 209,350	11/1967	Sato et al. ....	D64/10
D. 237,746	11/1975	Sato .....	D64/10

OTHER PUBLICATIONS

Hardware Age, Apr. 1973, p. 115, Labeling machines at top.

Primary Examiner—Joel Stearman  
Assistant Examiner—Louis S. Zarfes  
Attorney, Agent, or Firm—Sidney G. Faber

[57] CLAIM

The ornamental design for a labeling machine, as shown.

DESCRIPTION

FIG. 1 is a top plan view of a labeling machine showing my new design;

FIG. 2 is a front elevational view of the labeling machine;

FIG. 3 is a bottom plan view of the labeling machine;

FIG. 4 is a rear elevational view of the labeling machine;

FIG. 5 is a left side elevational view of the labeling machine;

FIG. 6 is a right side elevational view;

FIG. 7 is a top perspective view of my labeling machine;

FIG. 8 is a bottom perspective view of my labeling machine from one direction; and

FIG. 9 is a bottom perspective view of my labeling machine from the opposite direction.

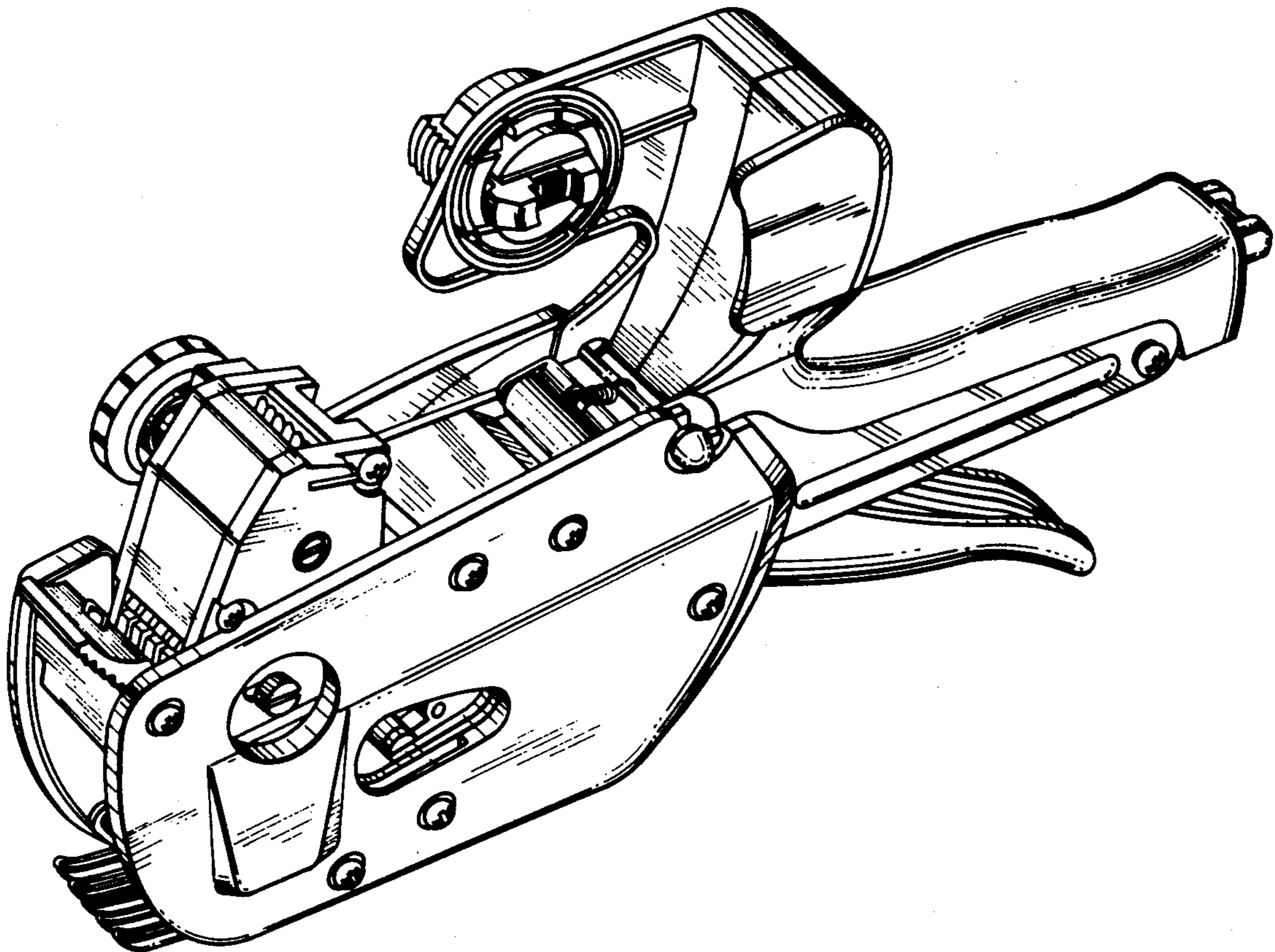


FIG. 1

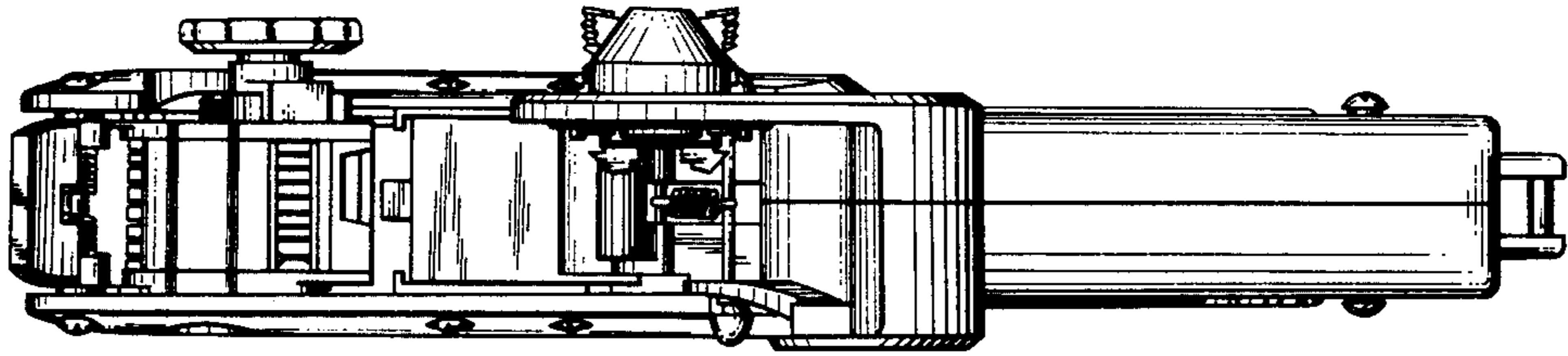


FIG. 2

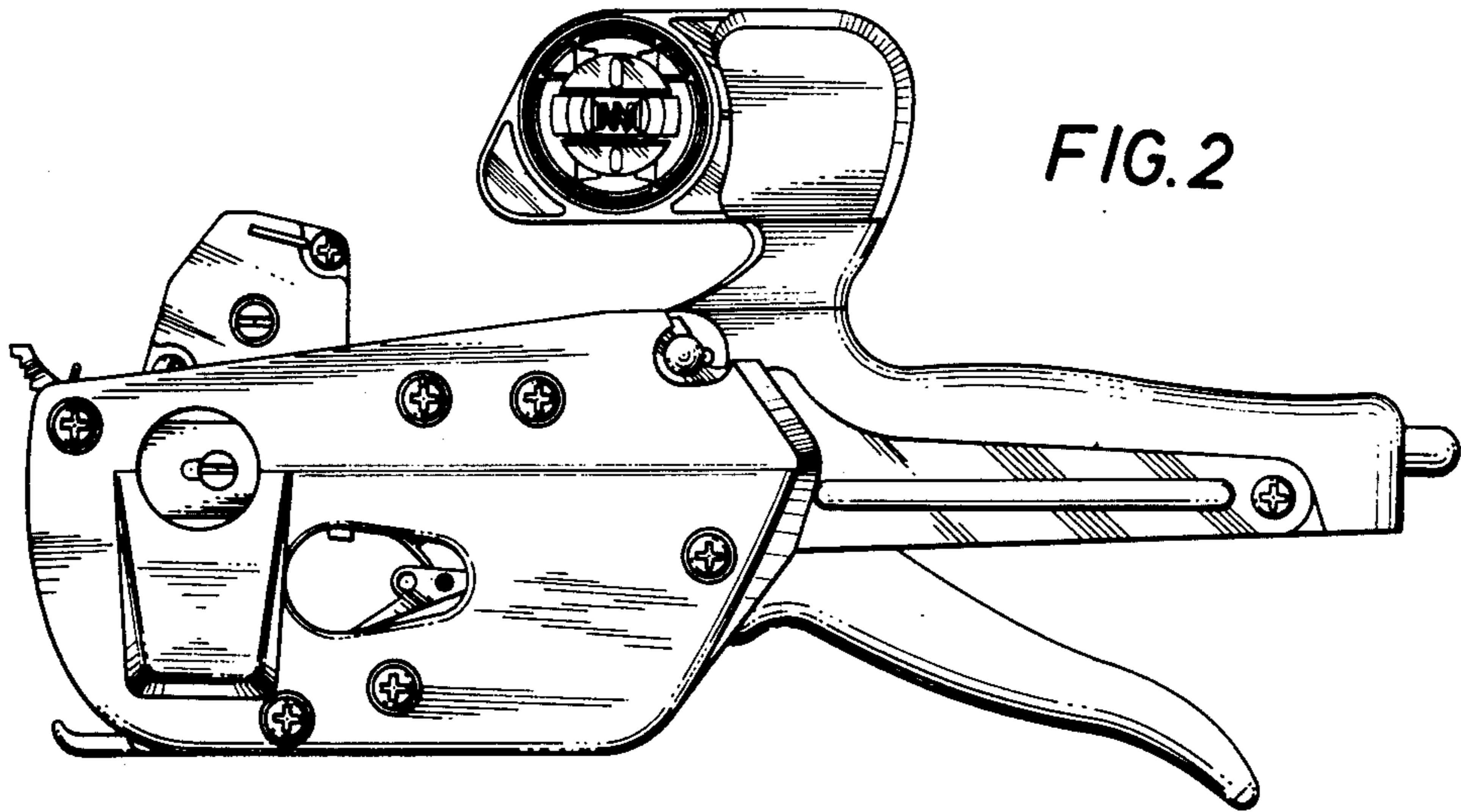


FIG. 3

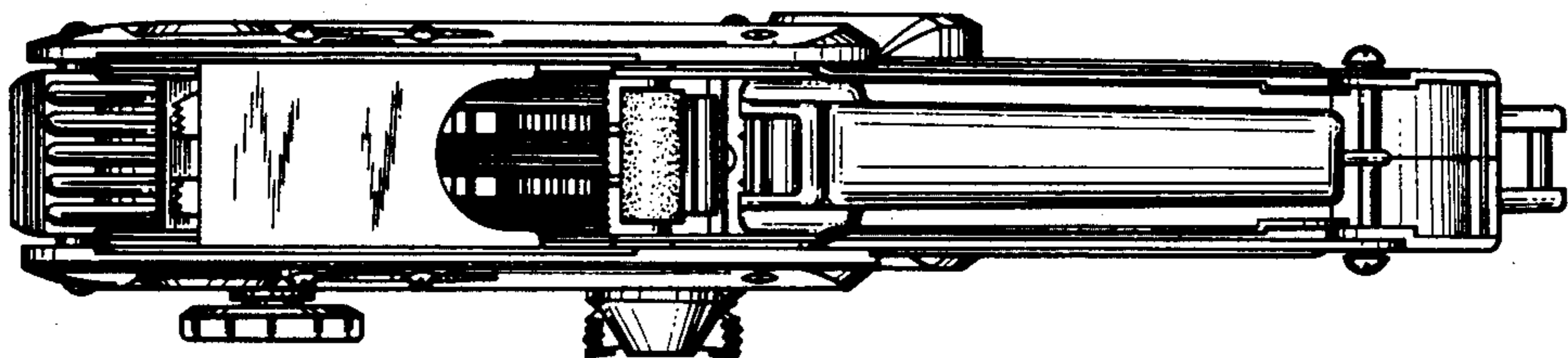


FIG. 4

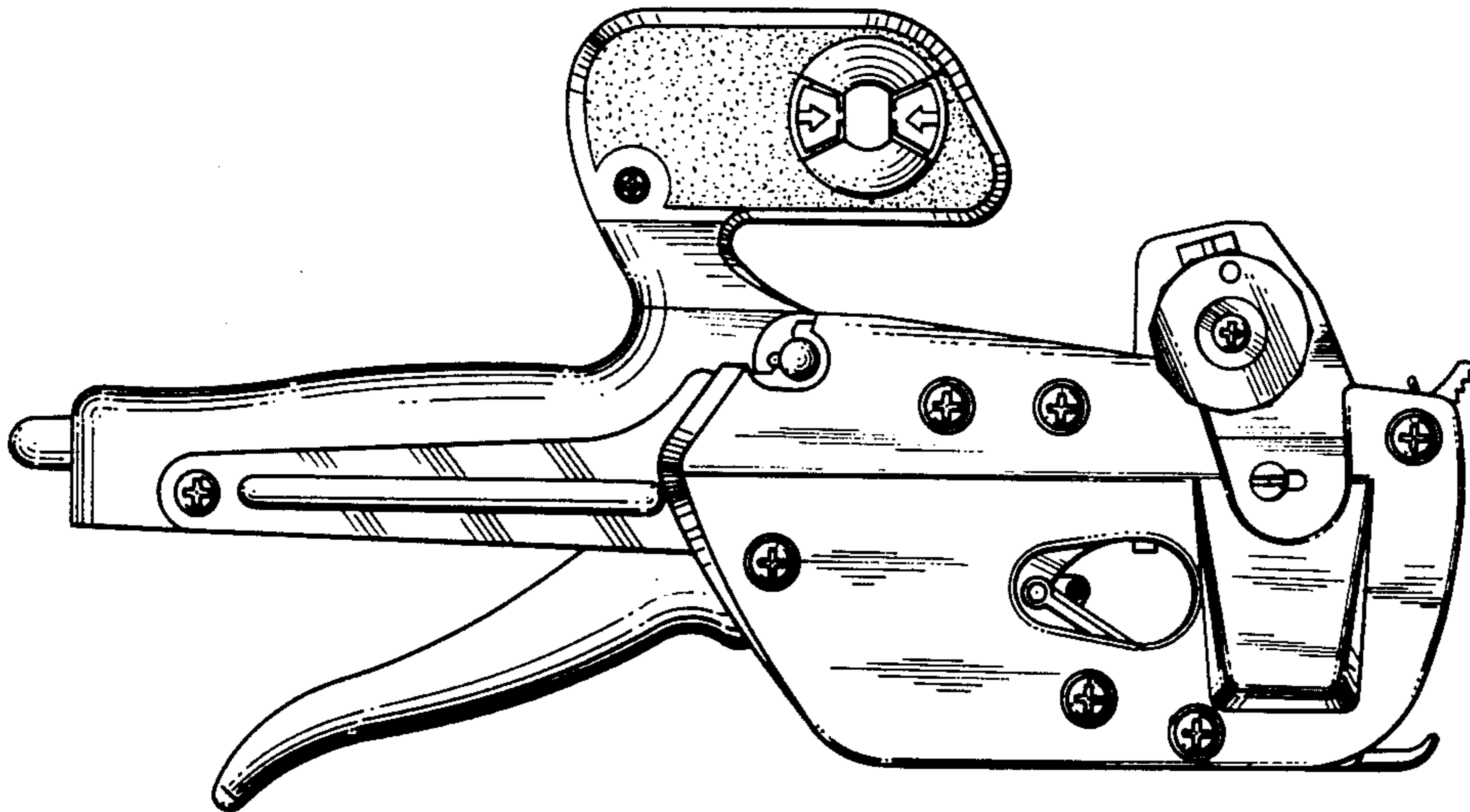


FIG. 5

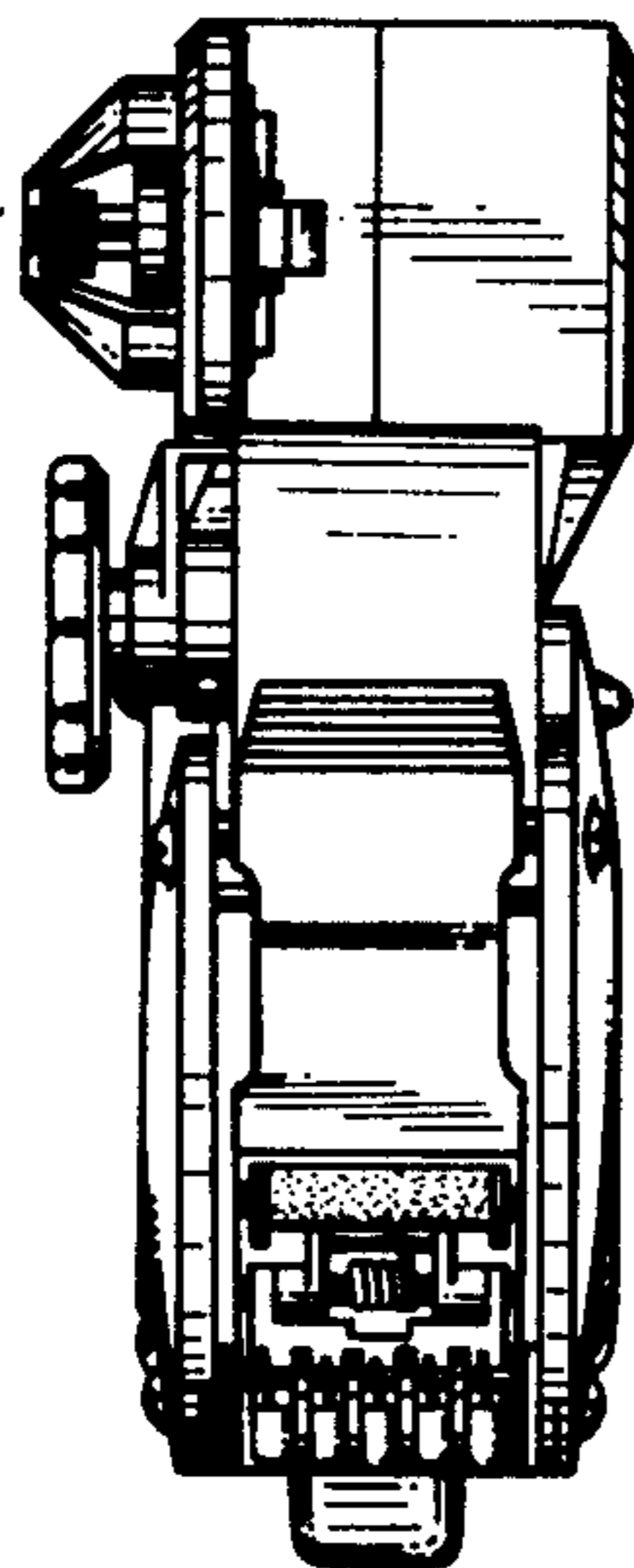


FIG. 6

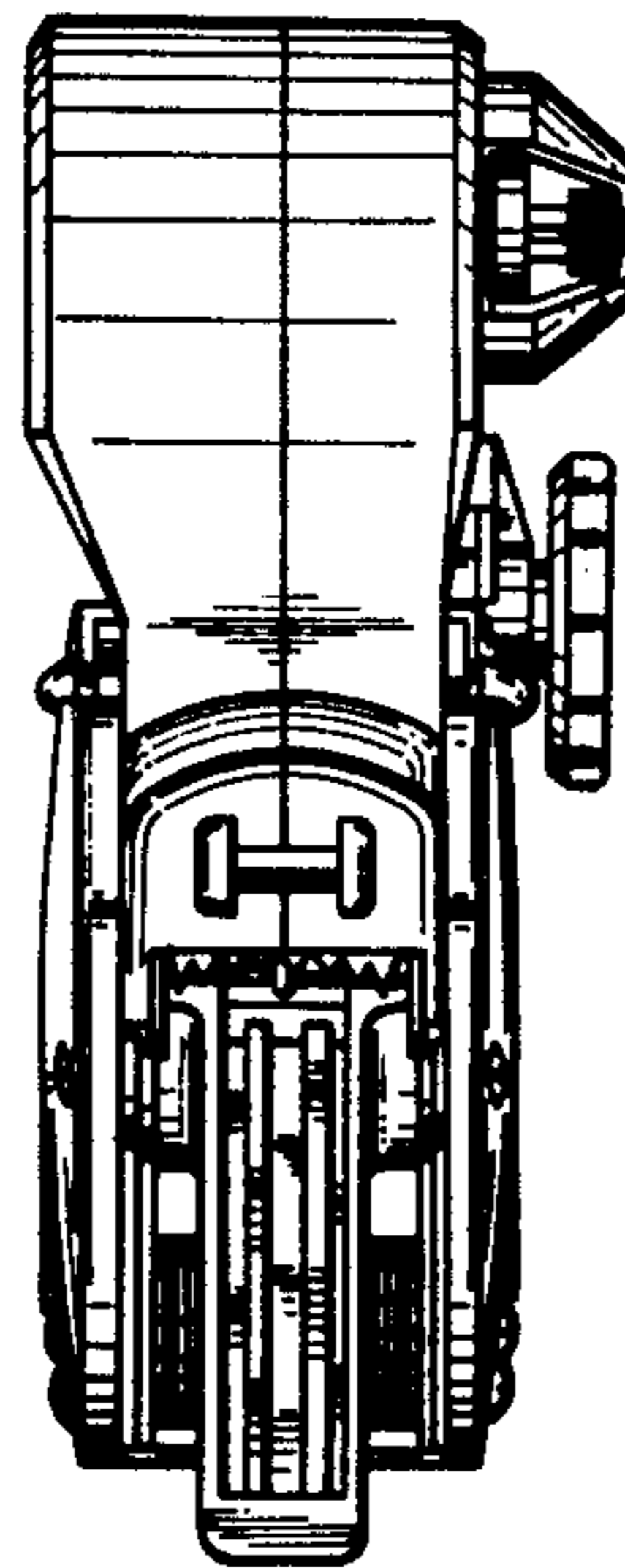


FIG. 7

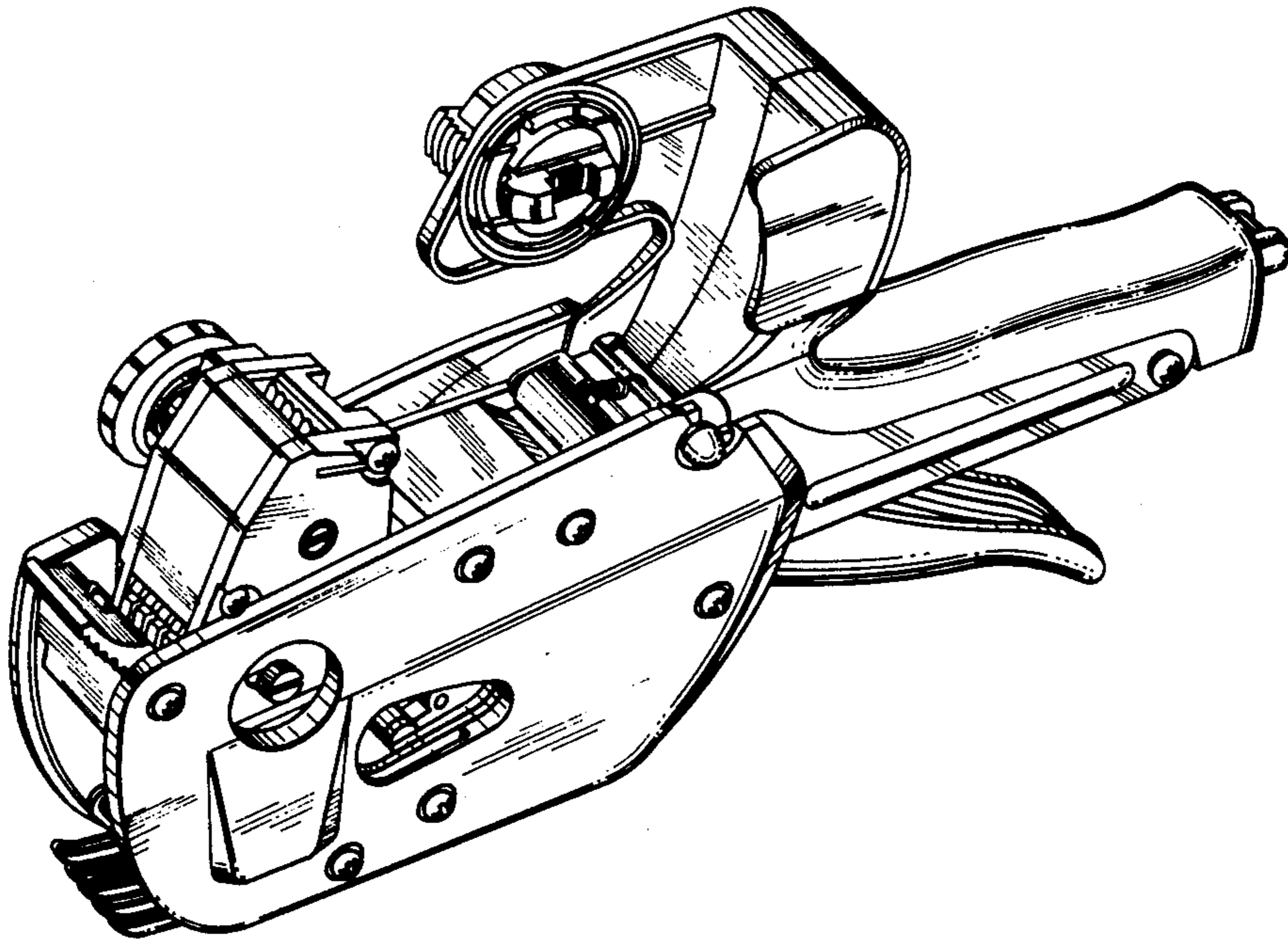


FIG. 8

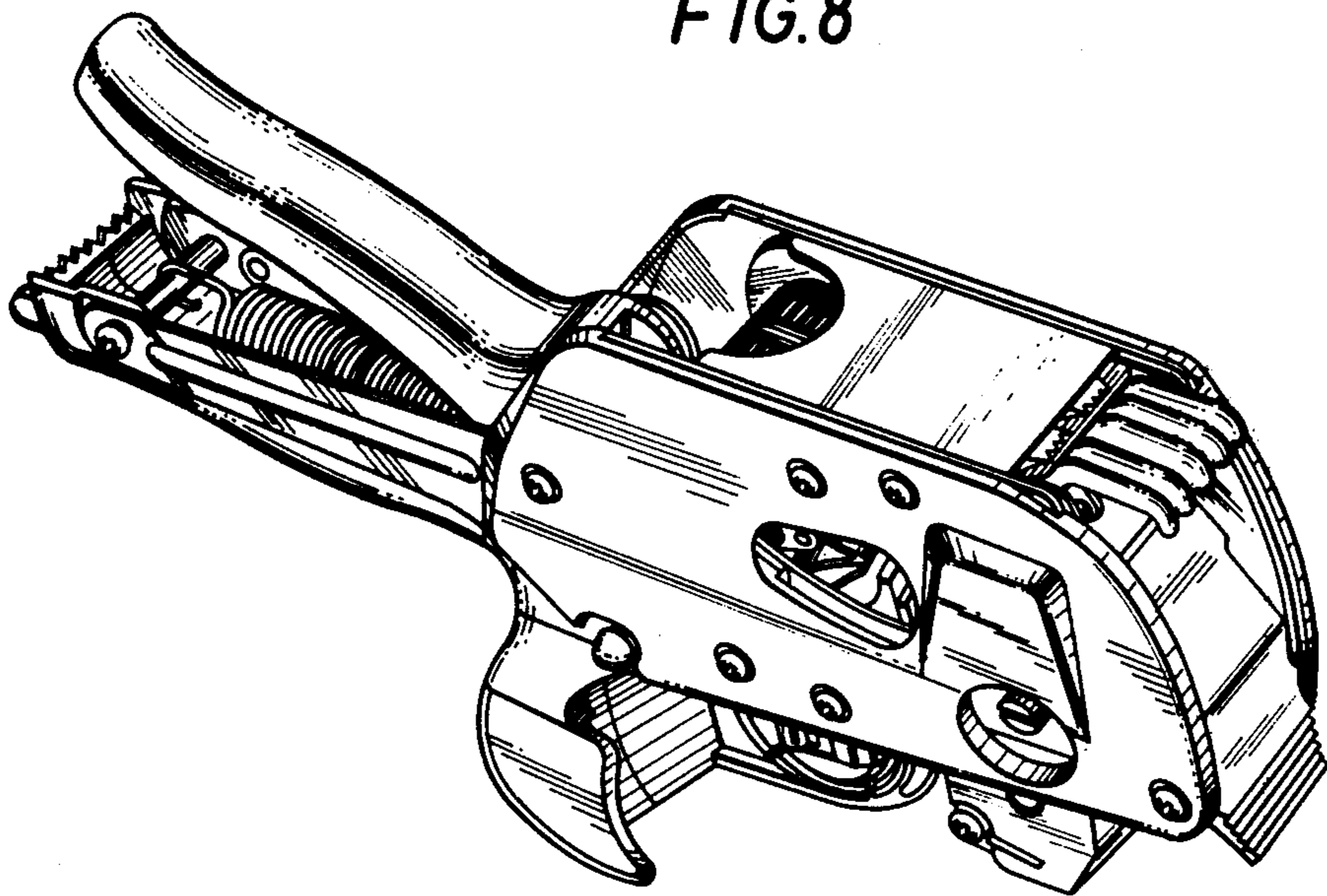


FIG. 9

