

[54] MECHANICAL TRAP FOR THROWING CLAY TARGETS

[75] Inventors: Kenneth C. Rowlands, Utica; John P. Linde; Kenneth W. Soucy, both of Richfield Springs, all of N.Y.

[73] Assignee: Remington Arms Company, Inc., Bridgeport, Conn.

[\*\*] Term: 14 Years

[21] Appl. No.: 766,605

[22] Filed: Feb. 7, 1977

[51] Int. Cl. .... D22-04

[52] U.S. Cl. .... D22/99

[58] Field of Search ..... D22/99, 15, 16, 17; 124/8, 36, 6

[56]

References Cited

U.S. PATENT DOCUMENTS

D. 228,186	8/1973	Wortley, Jr. ....	D22/99
2,925,077	2/1960	Luebkehan .....	124/8
3,368,542	2/1968	Dale .....	124/8
3,533,392	10/1970	Luebkehan .....	124/8 X
3,601,112	8/1971	Dale .....	124/8

Primary Examiner—A. Hugo Word  
Attorney, Agent, or Firm—John H. Lewis, Jr.

[57]

CLAIM

The ornamental design for a mechanical trap for throwing clay targets, as shown.

DESCRIPTION

FIG. 1 is a perspective view taken from the right and rear of the trap.

FIG. 2 is a side view of the right side of the trap.

FIG. 3 is a side view of the left side of the trap.

FIG. 4 is a top view of the trap.

FIG. 5 is a bottom view of the trap.

FIG. 6 is a rear view of the trap.

FIG. 7 is a front view of the trap.

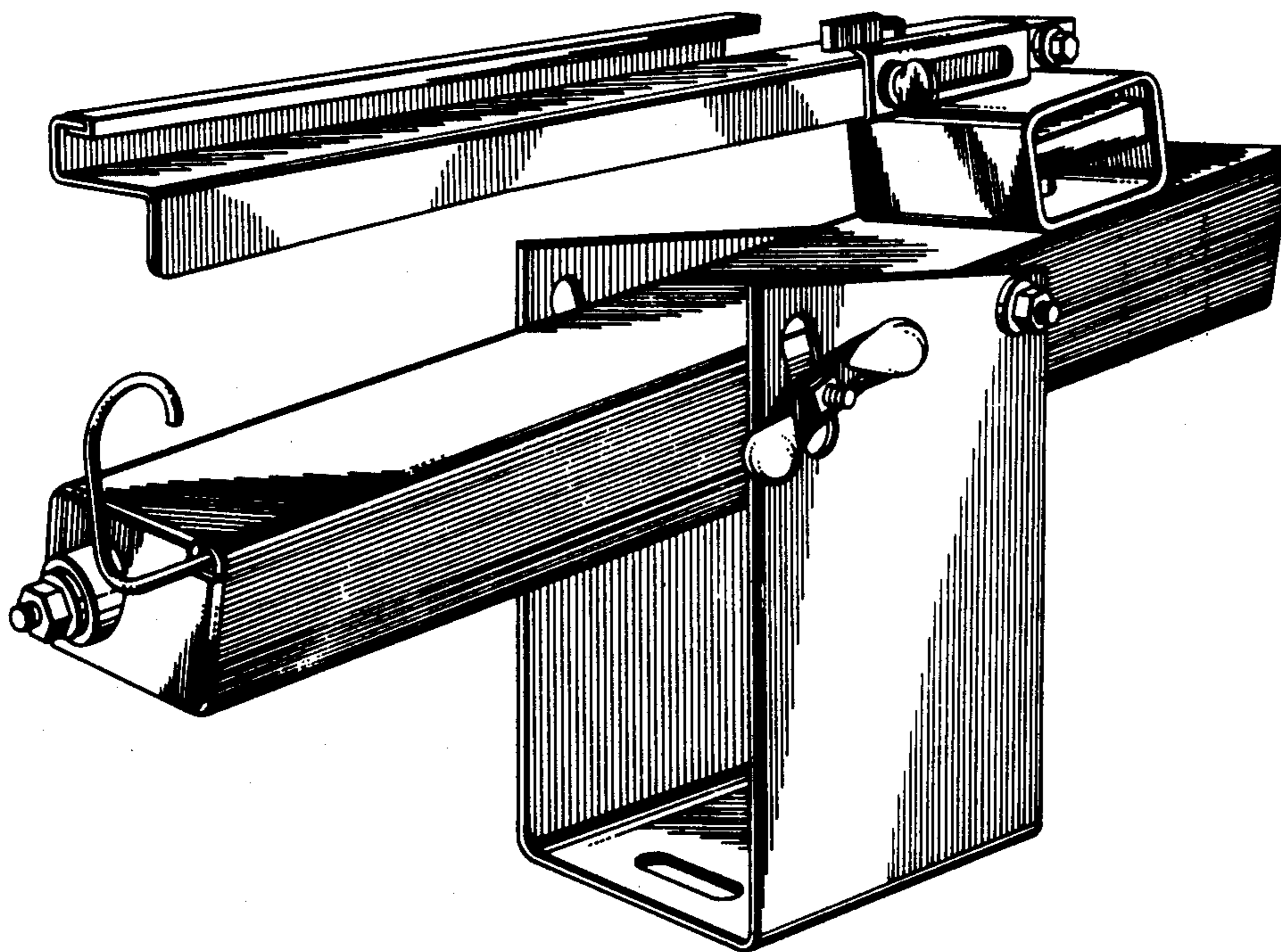


FIG. 1.

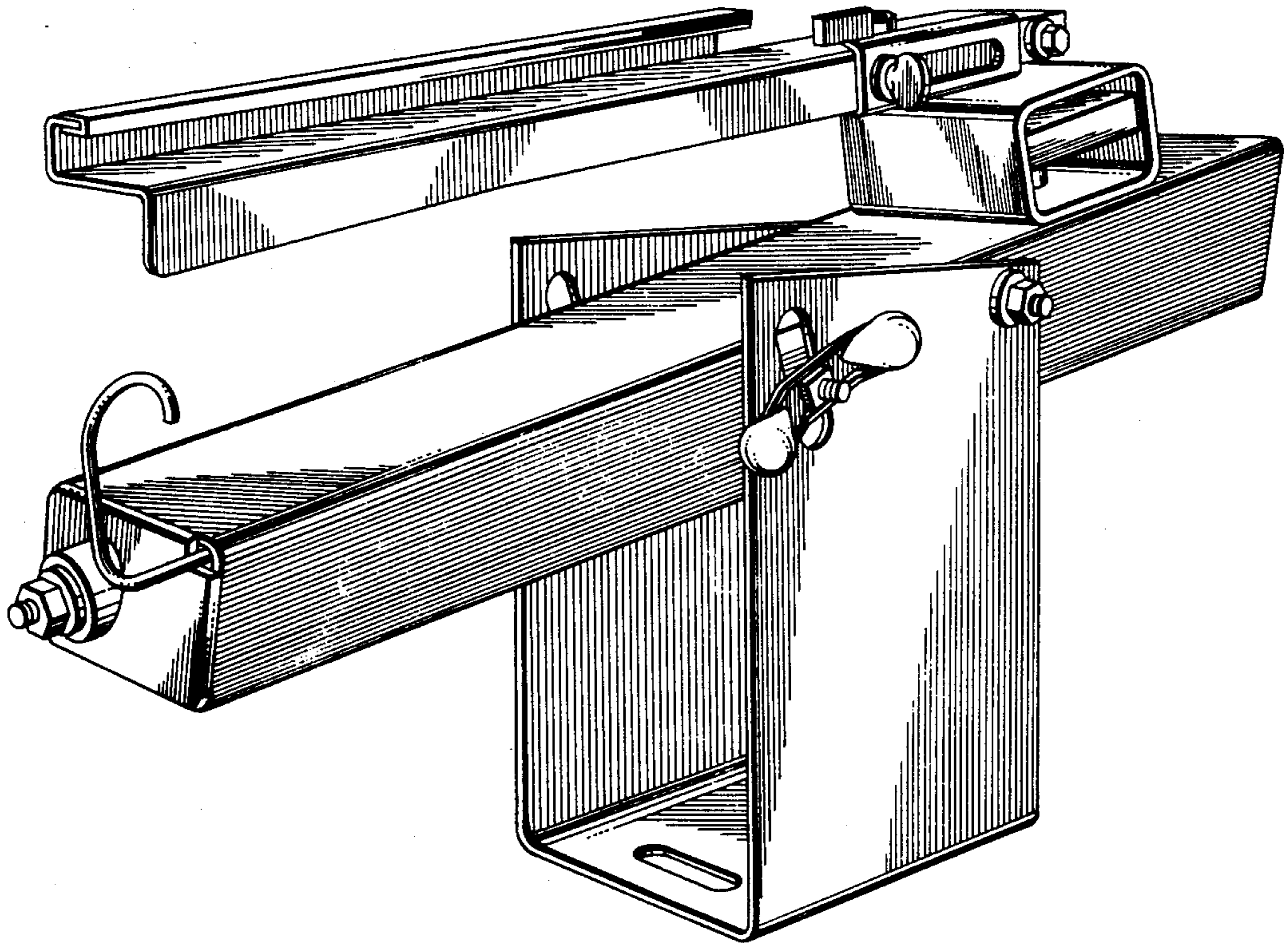


FIG. 2.

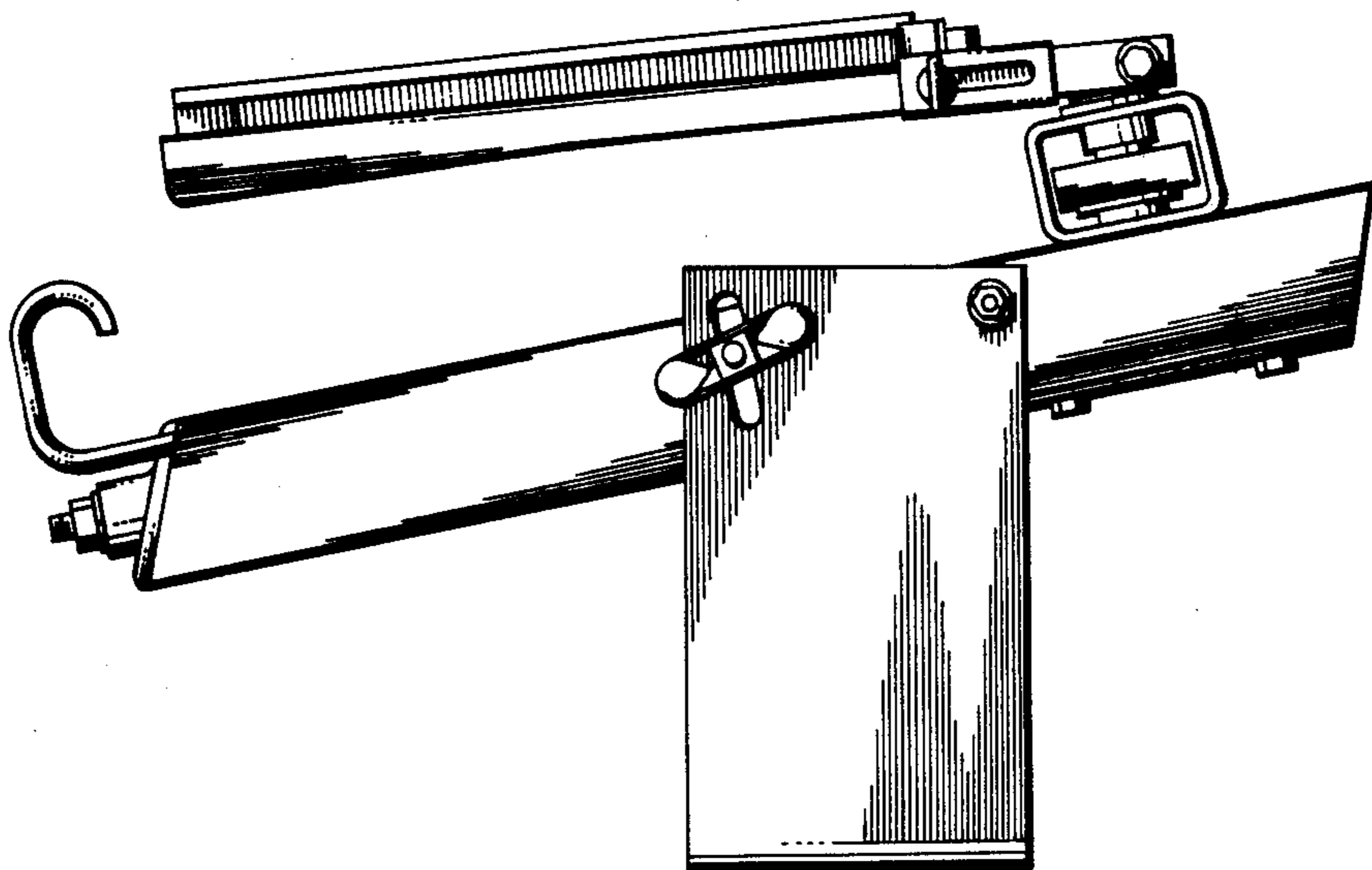


FIG. 3.

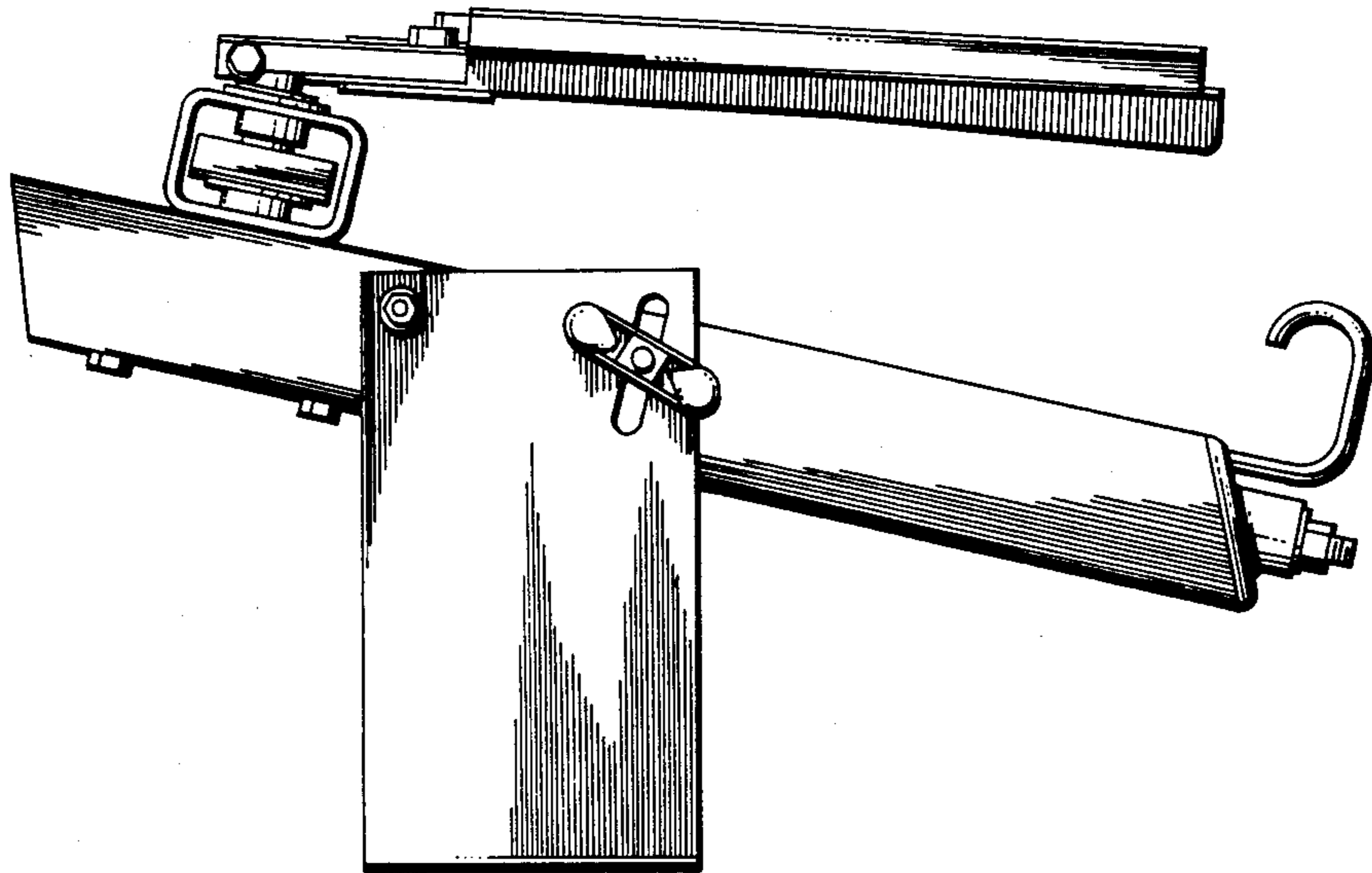


FIG. 4.

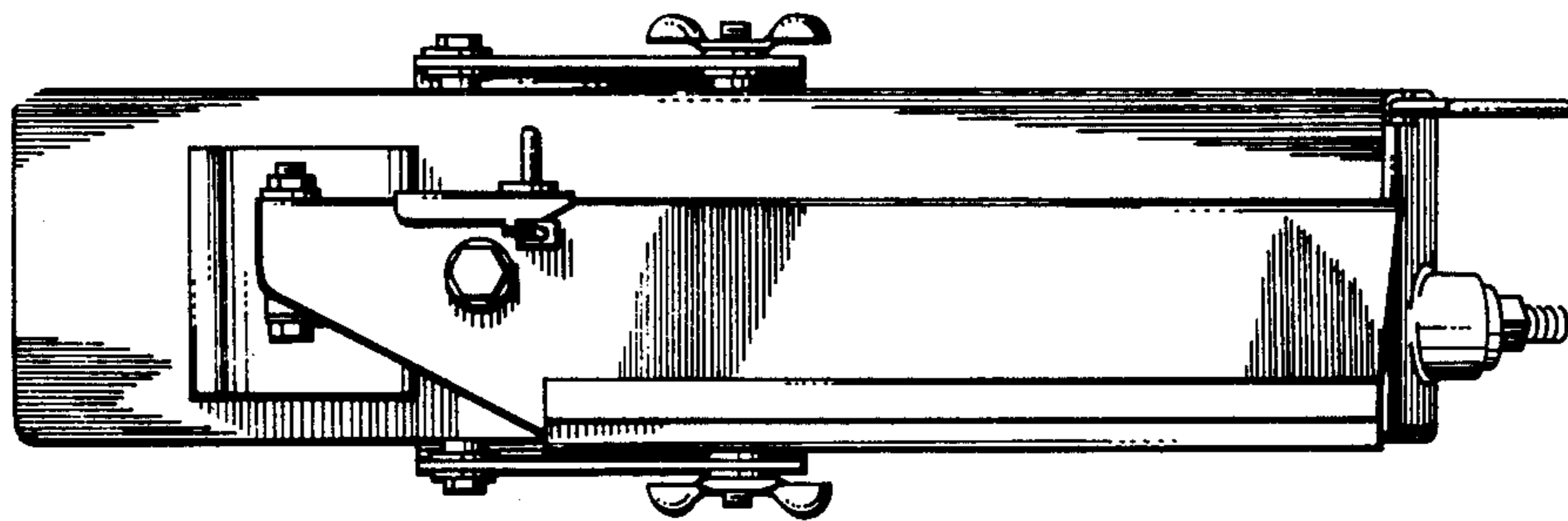


FIG. 5.

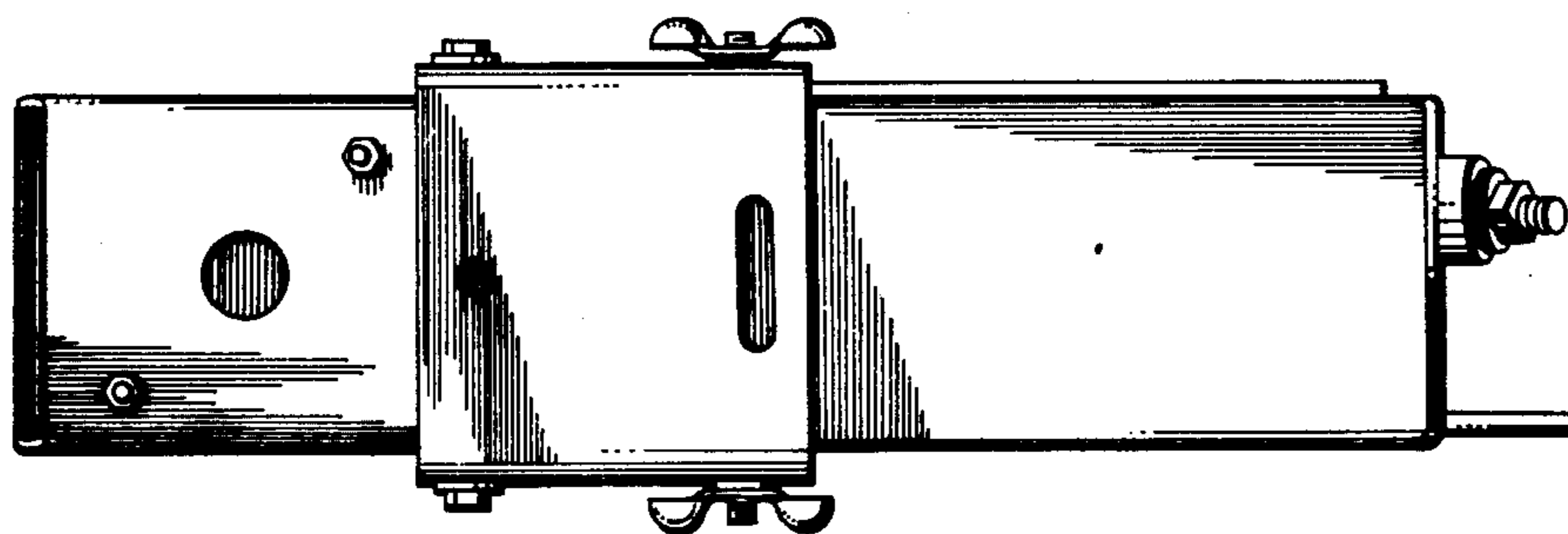


FIG. 6.

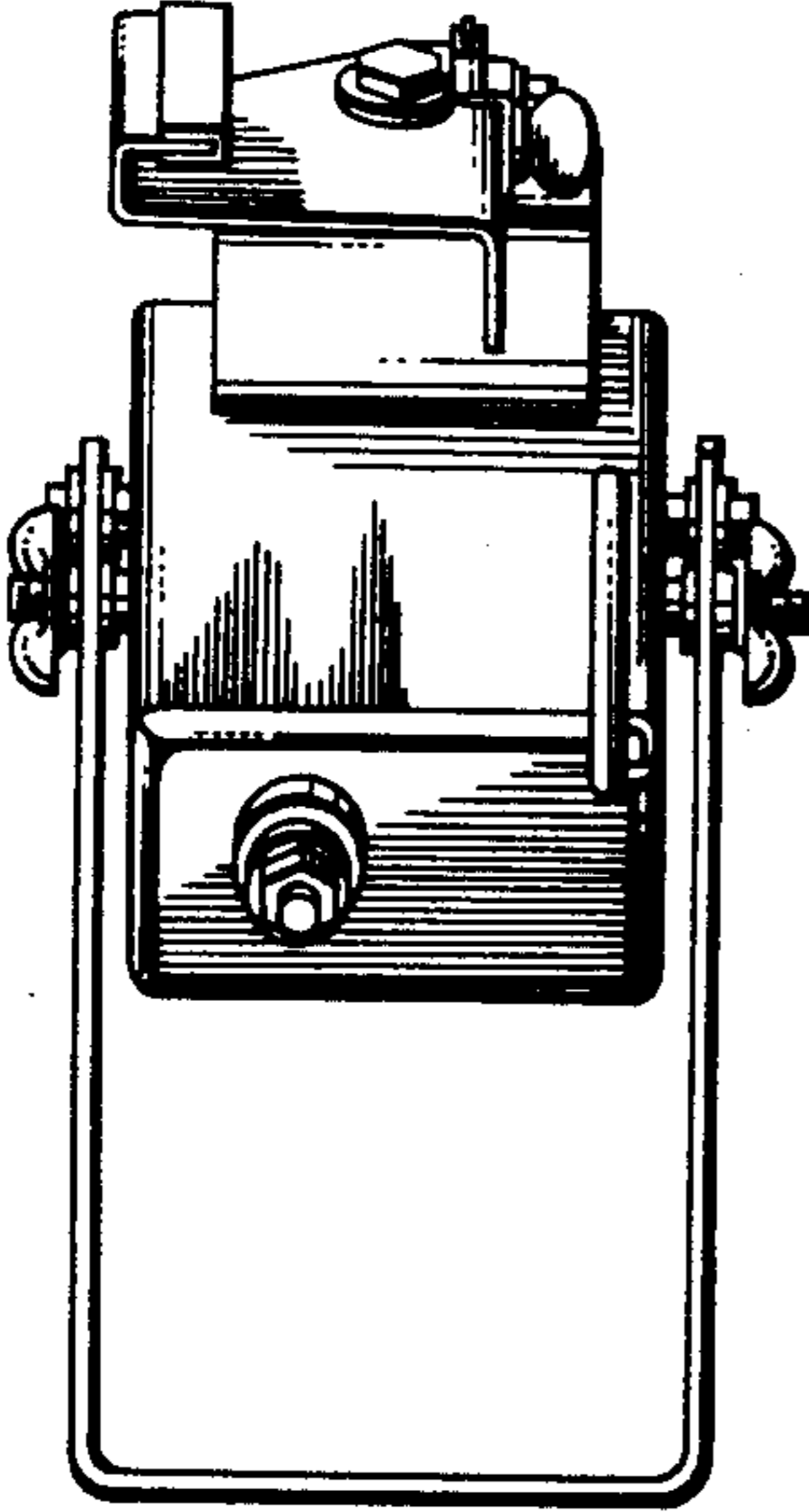


FIG. 7.

