

[54] EXHAUST GAS DIFFUSER FOR AN AUTOMOBILE ENGINE

[75] Inventors: Kazuhiro Hamaguchi; Yasuaki Oku, both of Yokohama, Japan

[73] Assignee: Kabushiki-Kaisha Taiyo, Yokohama, Japan

[**] Term: 14 Years

[21] Appl. No.: 688,529

[22] Filed: May 21, 1976

[30] Foreign Application Priority Data

Jan. 16, 1976 Japan 51-534

[51] Int. Cl. D12-16

[52] U.S. Cl. D12/194

[58] Field of Search D12/194; 181/43

[56] References Cited

U.S. PATENT DOCUMENTS

D. 130,681 12/1941 Decker D12/194
1,892,009 12/1932 Sagui 181/43

3,016,692 1/1962 Iapella et al. 181/43

OTHER PUBLICATIONS

J. C. Whitney Catalog No. 334, rec'd 1/27/75, p. 70, Exhaust cutout, lower right side of page.

Primary Examiner—Wallace R. Burke
Assistant Examiner—James M. Gandy
Attorney, Agent, or Firm—Donald H. Zarley

[57] CLAIM

The ornamental design for an exhaust gas diffuser for an automobile engine, substantially as shown and described.

DESCRIPTION

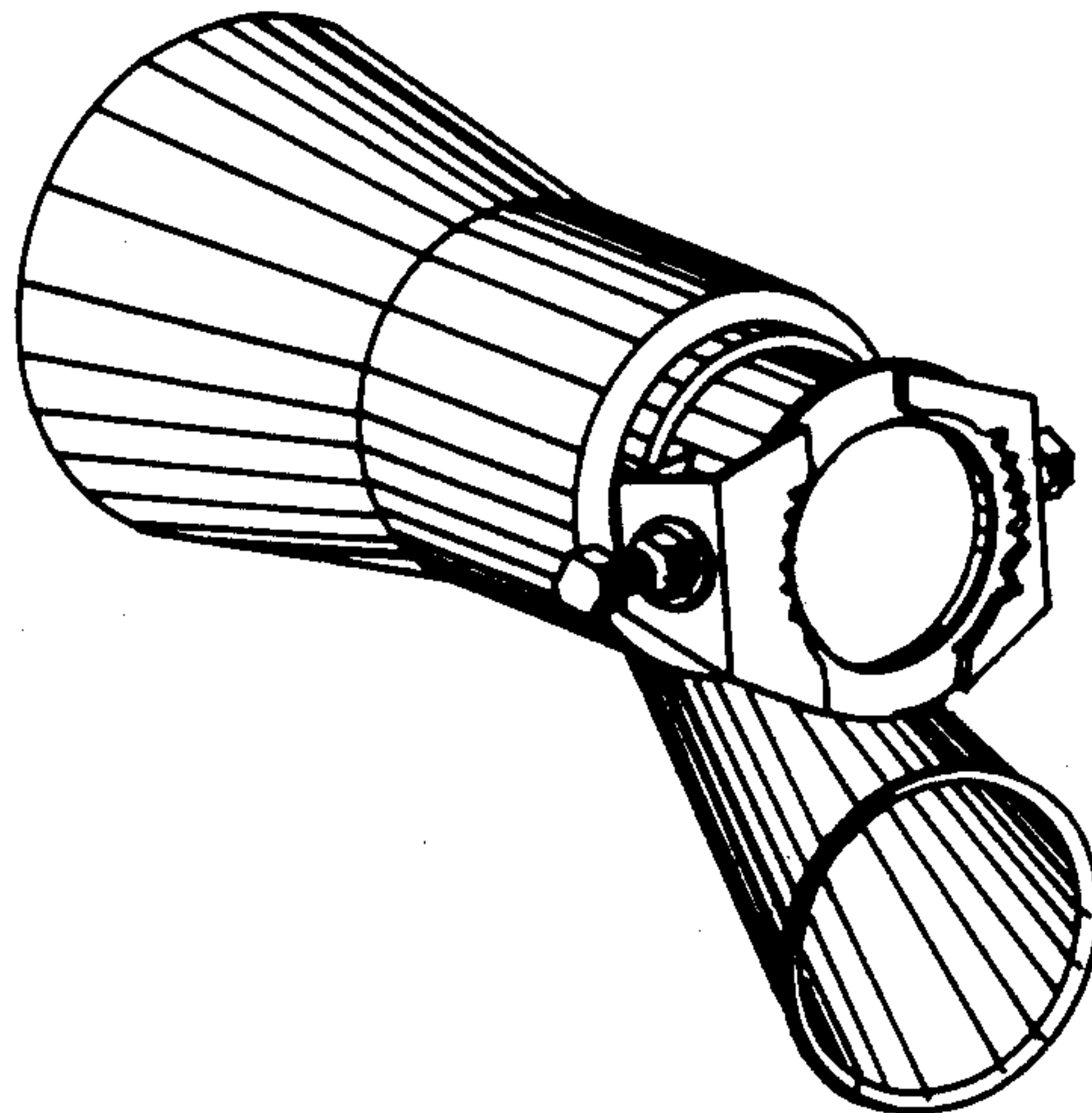
FIG. 1 is a front elevational view of an exhaust gas diffuser for an automobile engine showing our new design;

FIG. 2 is a side elevation view thereof;

FIG. 3 is a top plan view thereof;

FIG. 4 is a cross sectional view thereof taken along line 4-4 in FIG. 1, it being understood that the broken lines are for illustrative purposes only; and

FIG. 5 is a perspective view thereof on a reduced scale.



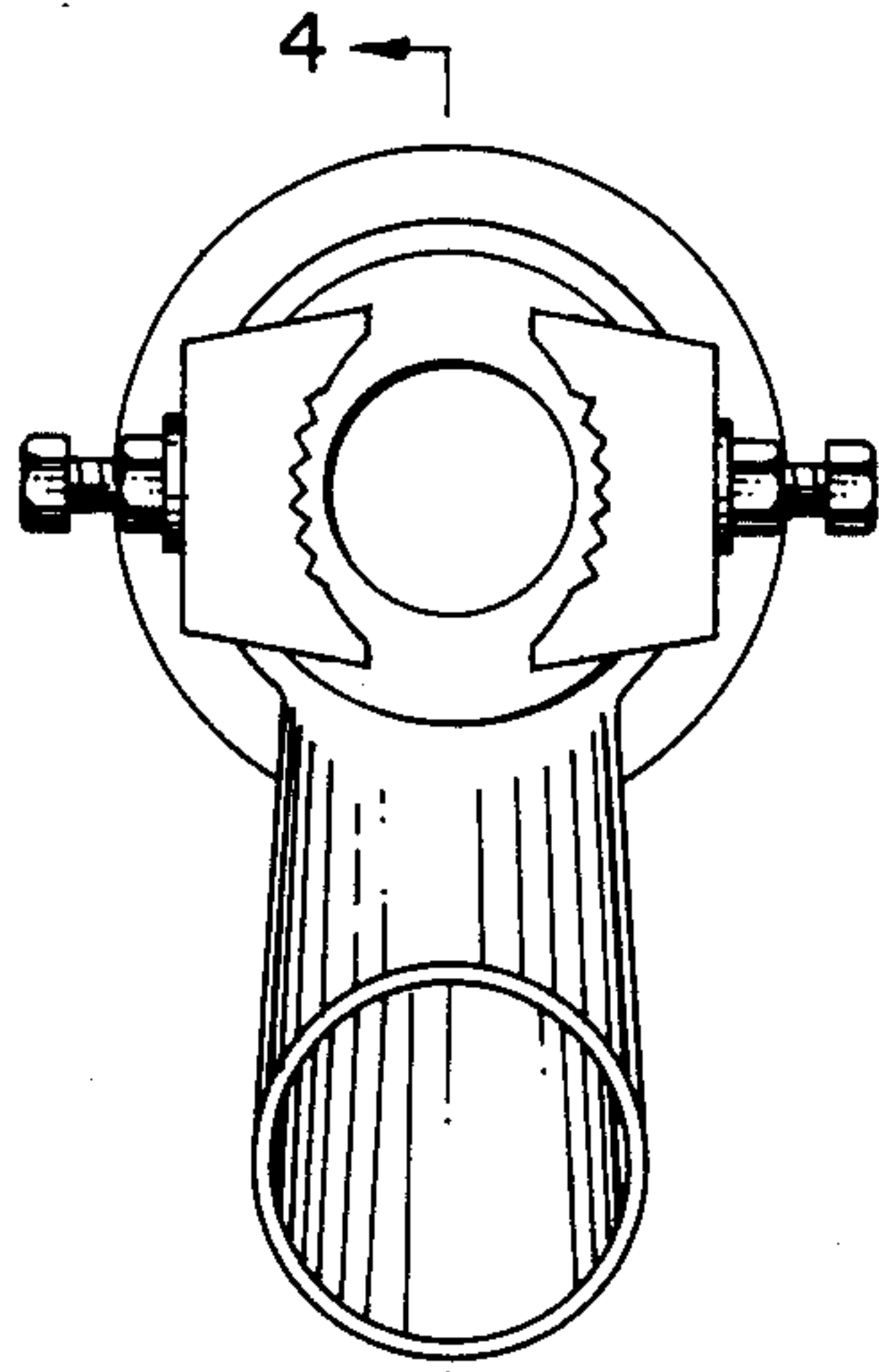


FIG. 1

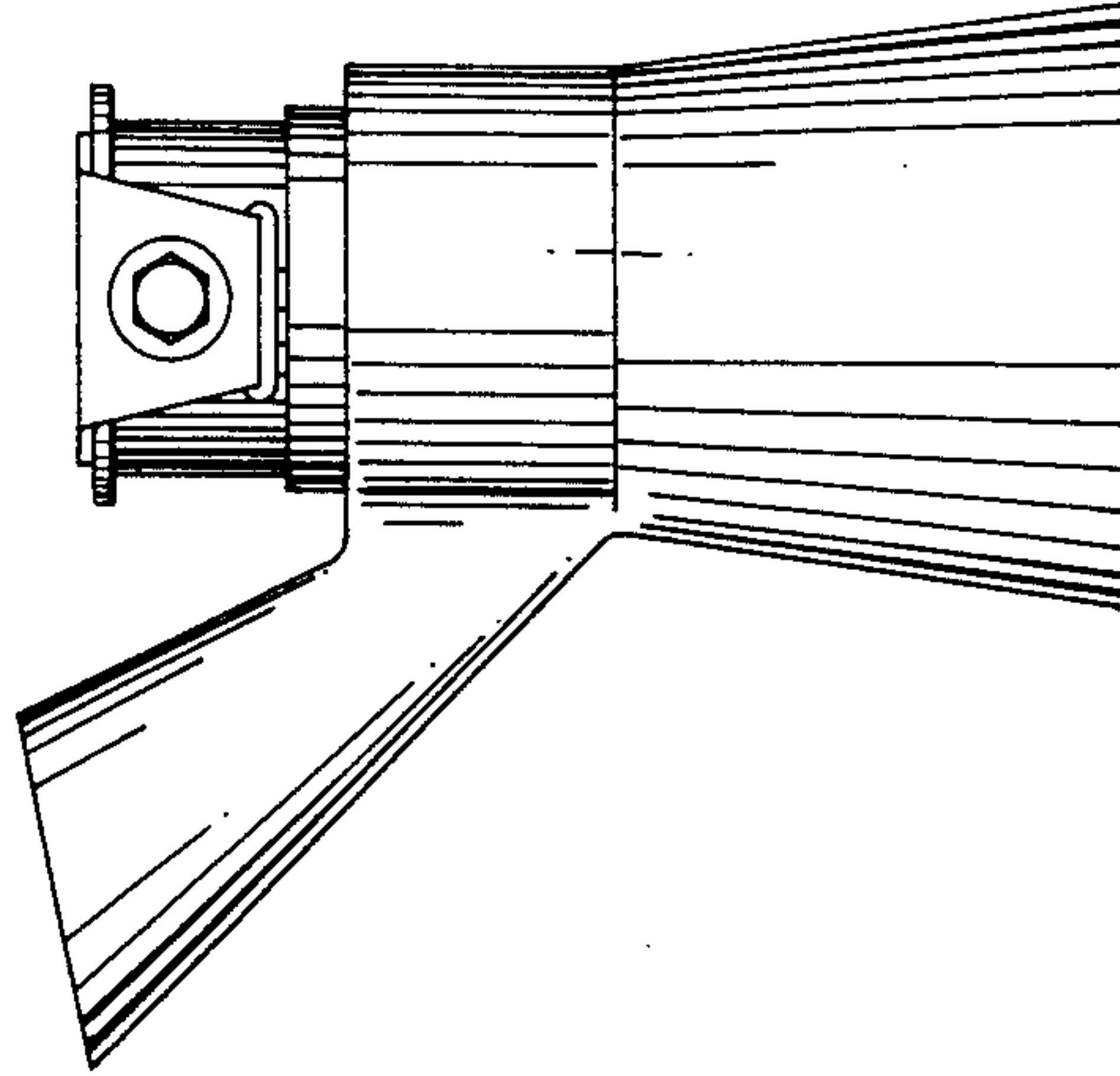


FIG. 2

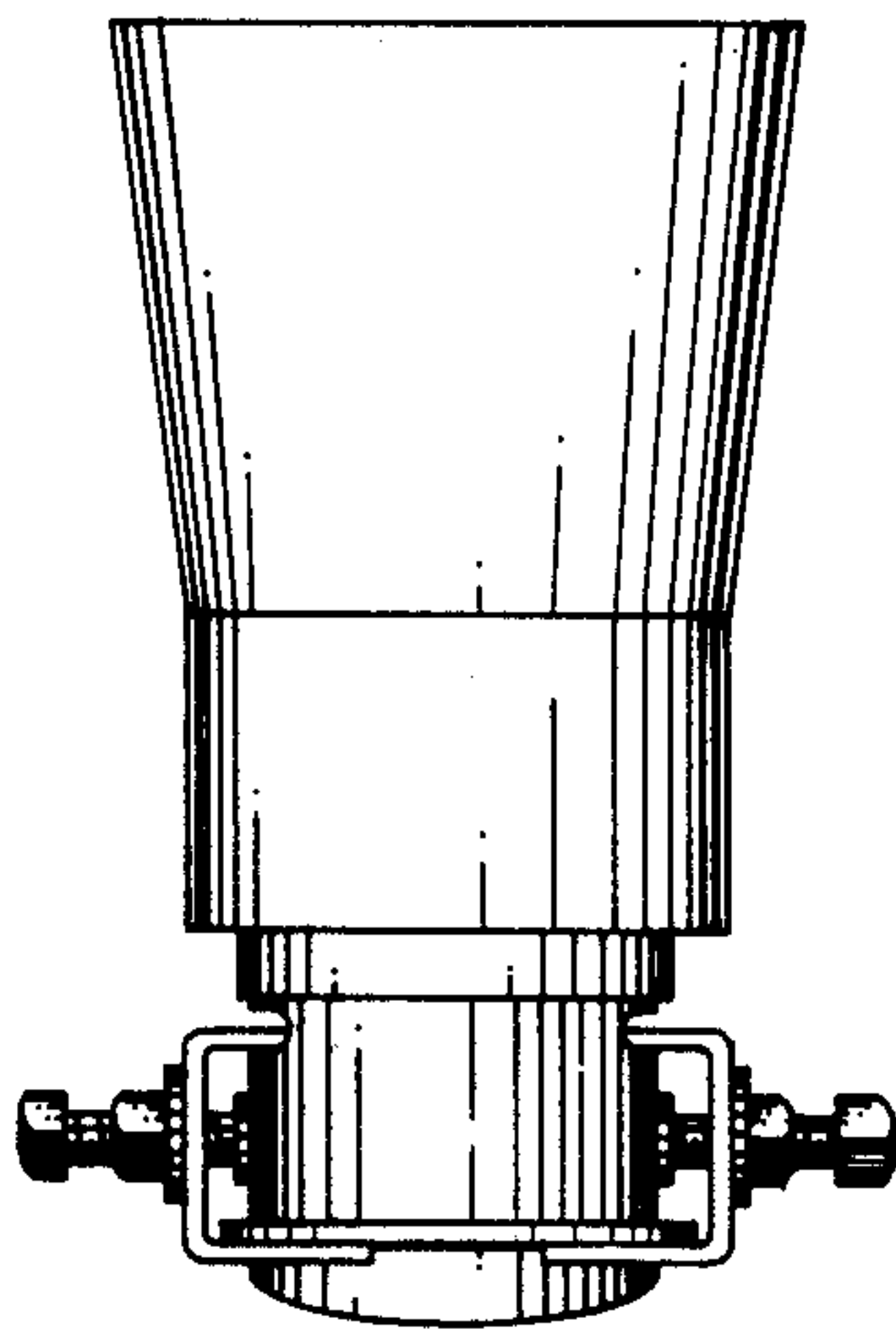


FIG. 3

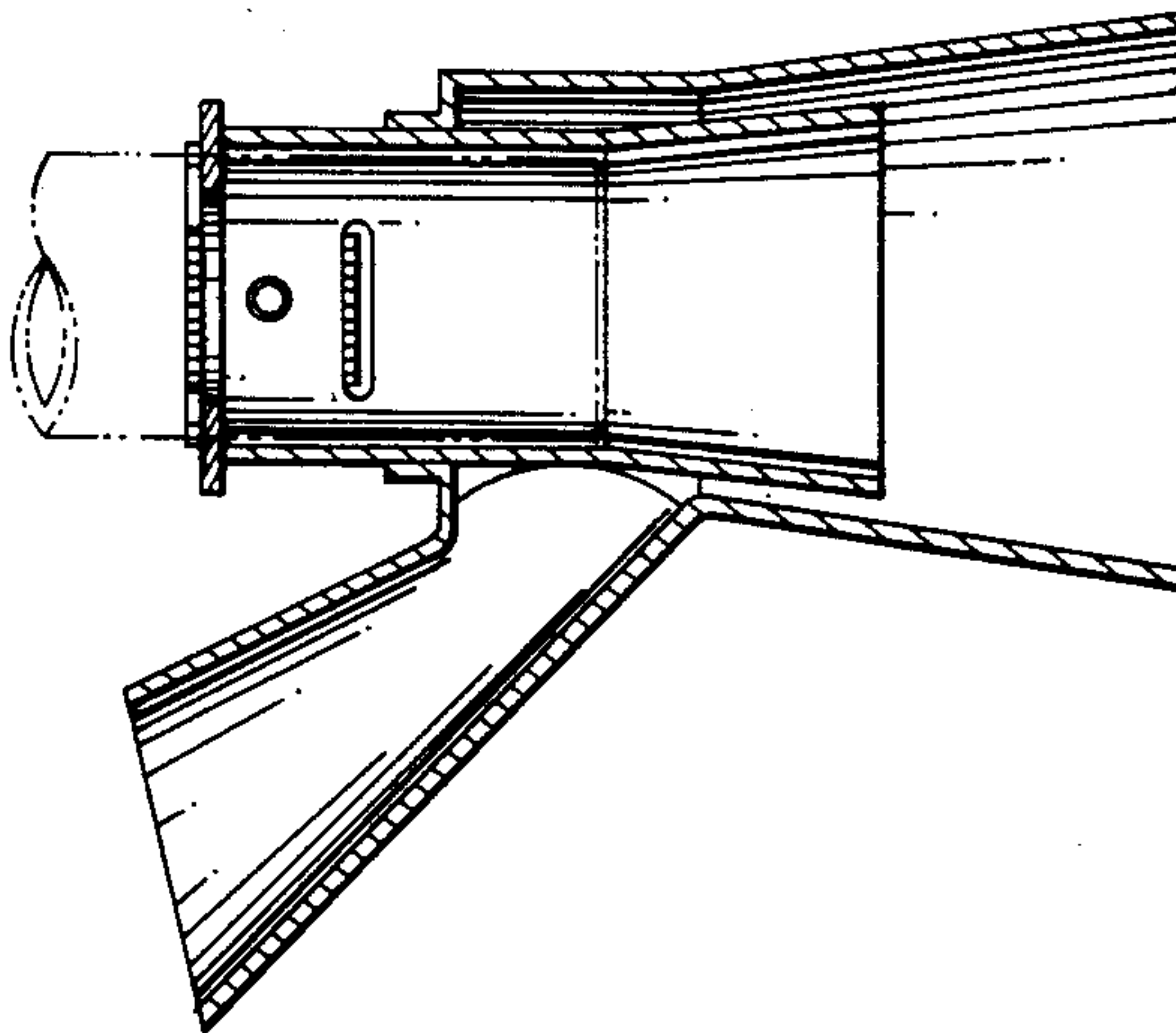


FIG. 4

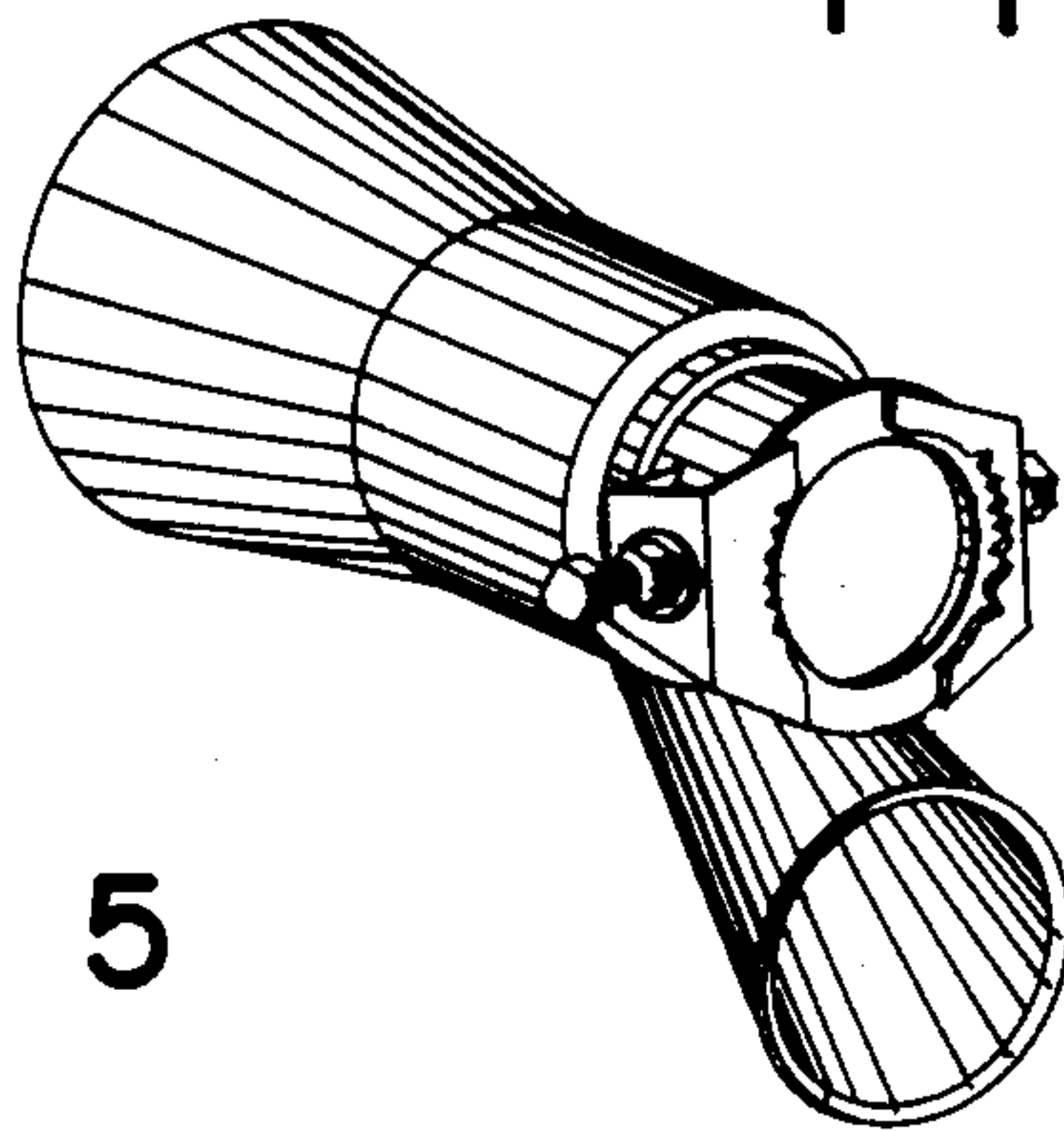


FIG. 5