

[54] SEGMENTED HELICOPTER FLOAT

[56] References Cited

[75] Inventors: **Ralph A. Miller**, Monmouth Beach;
Randall F. White, Bricktown, both of
N.J.

U.S. PATENT DOCUMENTS

3,004,737	10/1961	Boyle et al.	244/105 X
3,506,222	4/1970	Anderson	244/105 X
3,507,466	4/1970	La Fleur	244/105

[73] Assignee: **The Garrett Corporation**

Primary Examiner—Alan P. Douglas
Attorney, Agent, or Firm—Albert J. Miller

[**] Term: **14 Years**

[57] CLAIM

The ornamental design for a segmented helicopter float, as shown.

[21] Appl. No.: **689,027**

DESCRIPTION

[22] Filed: **May 21, 1976**

FIG. 1 is a top front perspective view of the segmented helicopter float.

FIG. 2 is a bottom rear perspective view thereof.

FIG. 3 is a side elevation view thereof.

FIG. 4 is a top plan view thereof.

FIG. 5 is a front end view thereof.

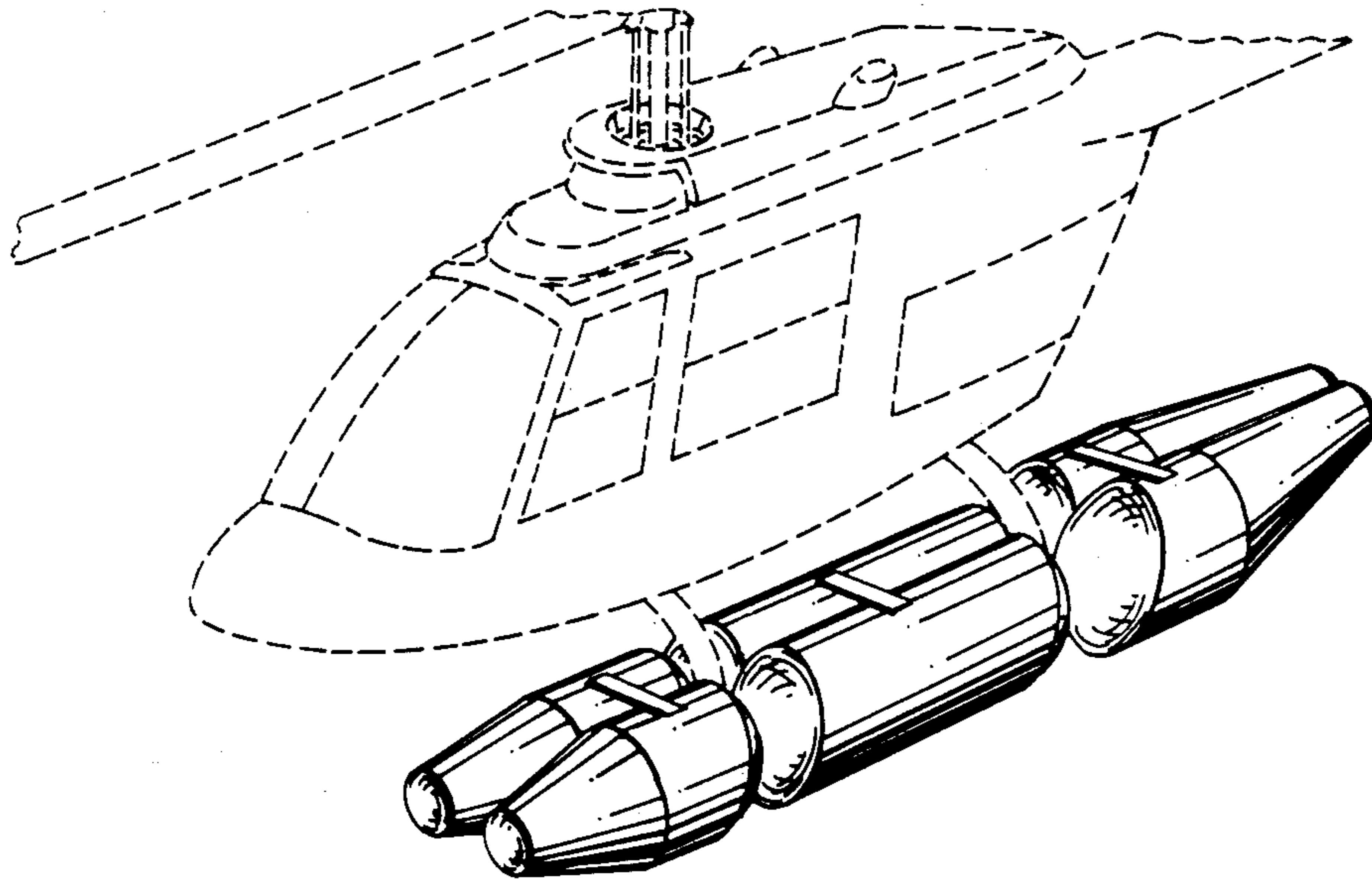
FIG. 6 is a rear end view thereof.

The broken line showing of a portion of a helicopter in FIGS. 1 and 2 is for illustrative purposes only.

[51] Int. Cl. **D12—07**

[52] U.S. Cl. **D12/81**

[58] Field of Search **D12/81, 73, 74;**
244/105, 106



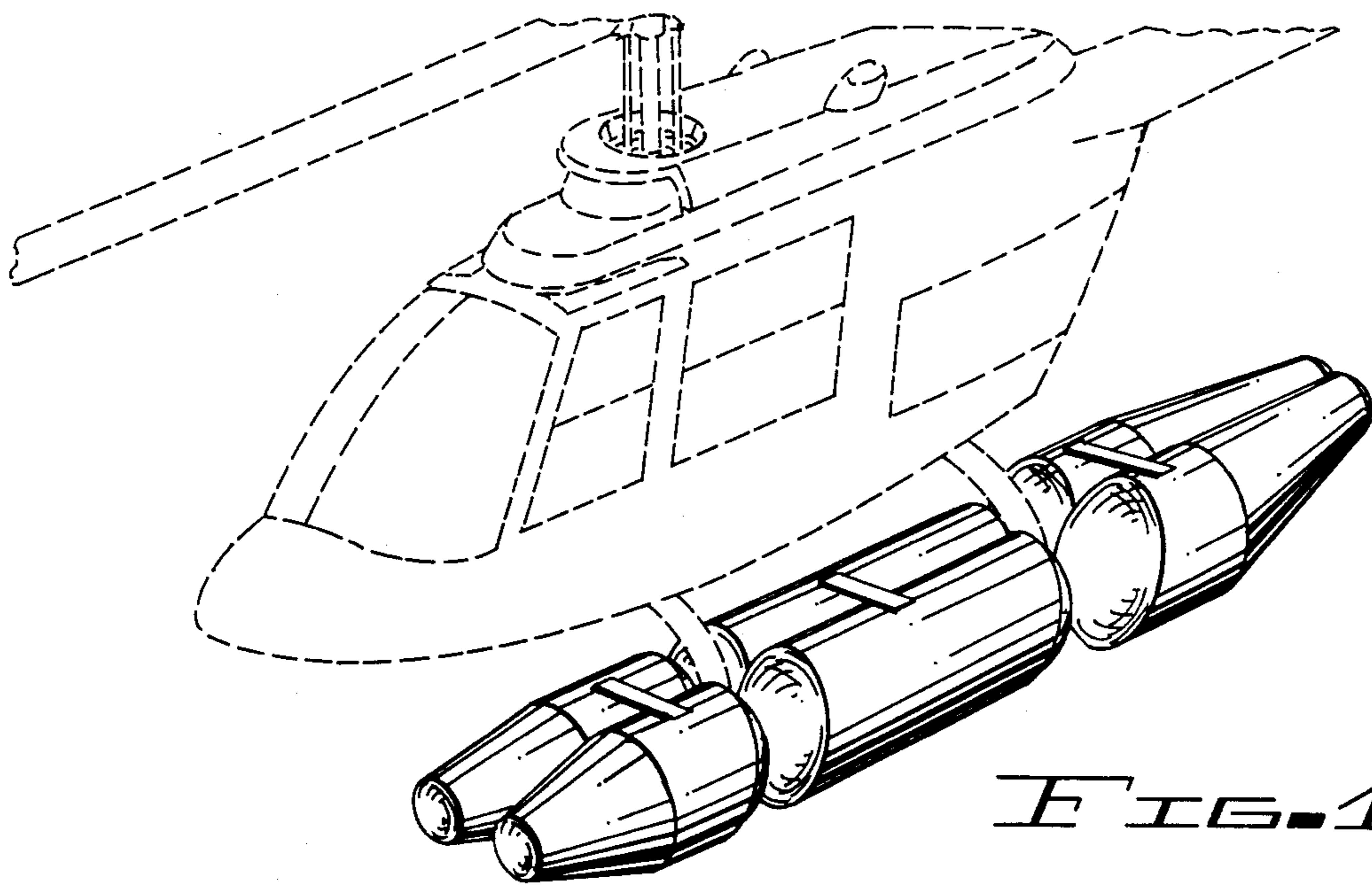


FIG. 1

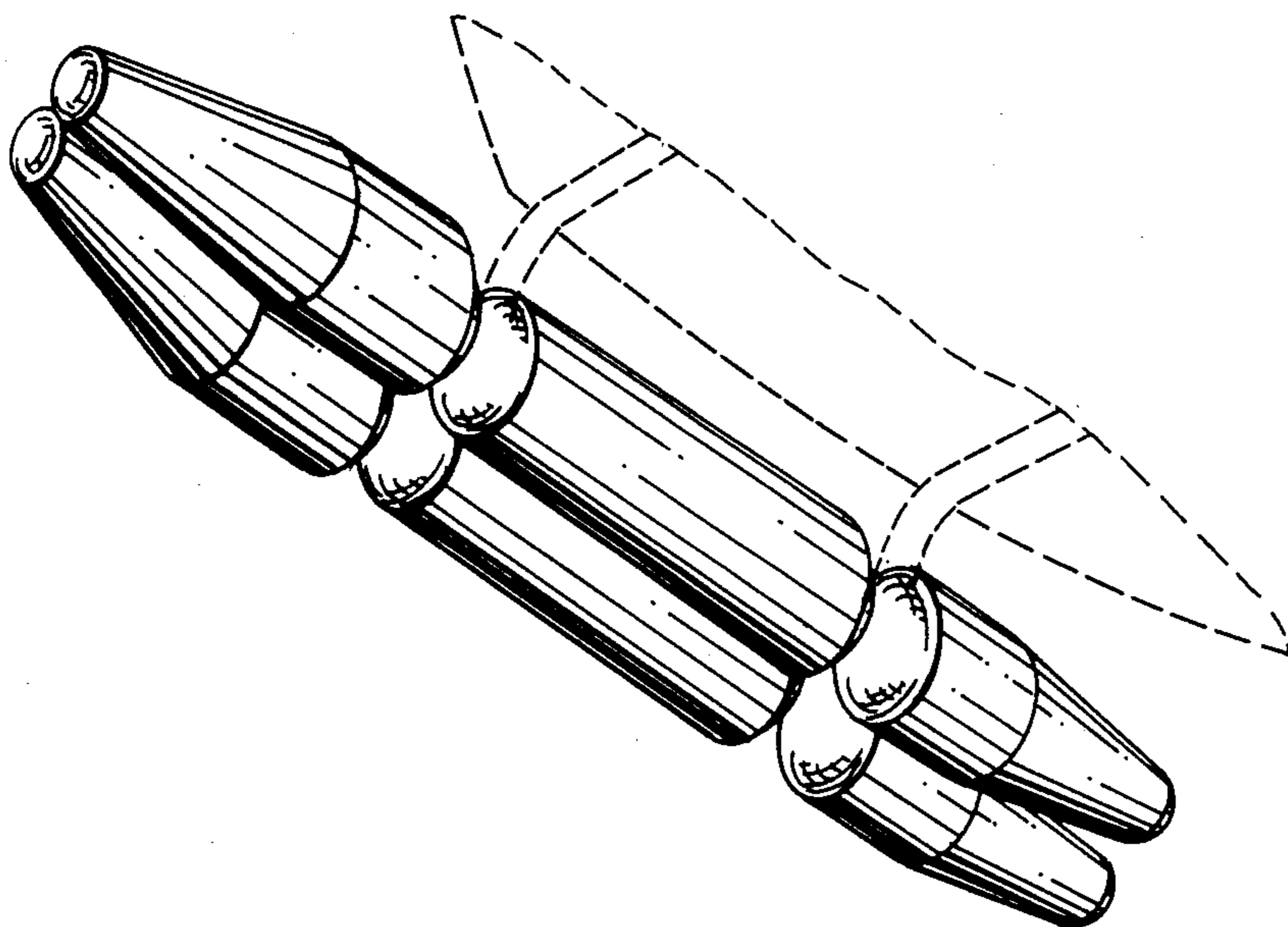


FIG. 2

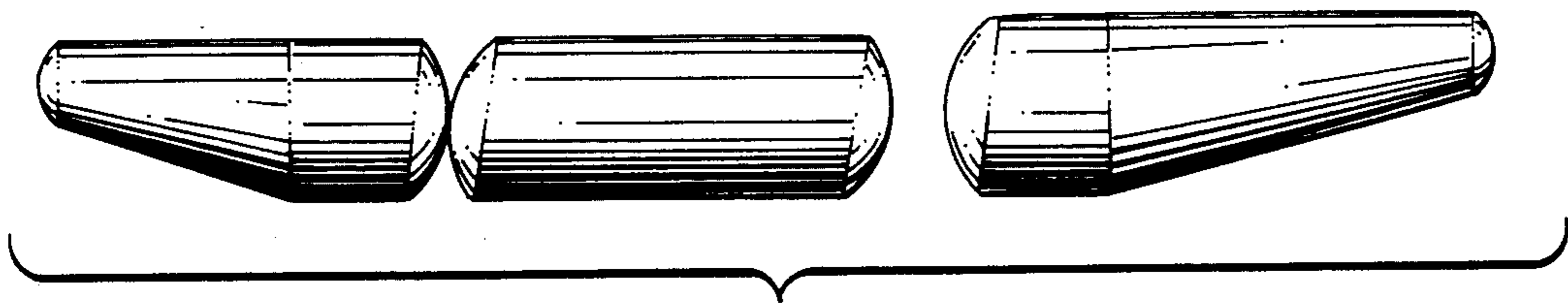


FIG. 3

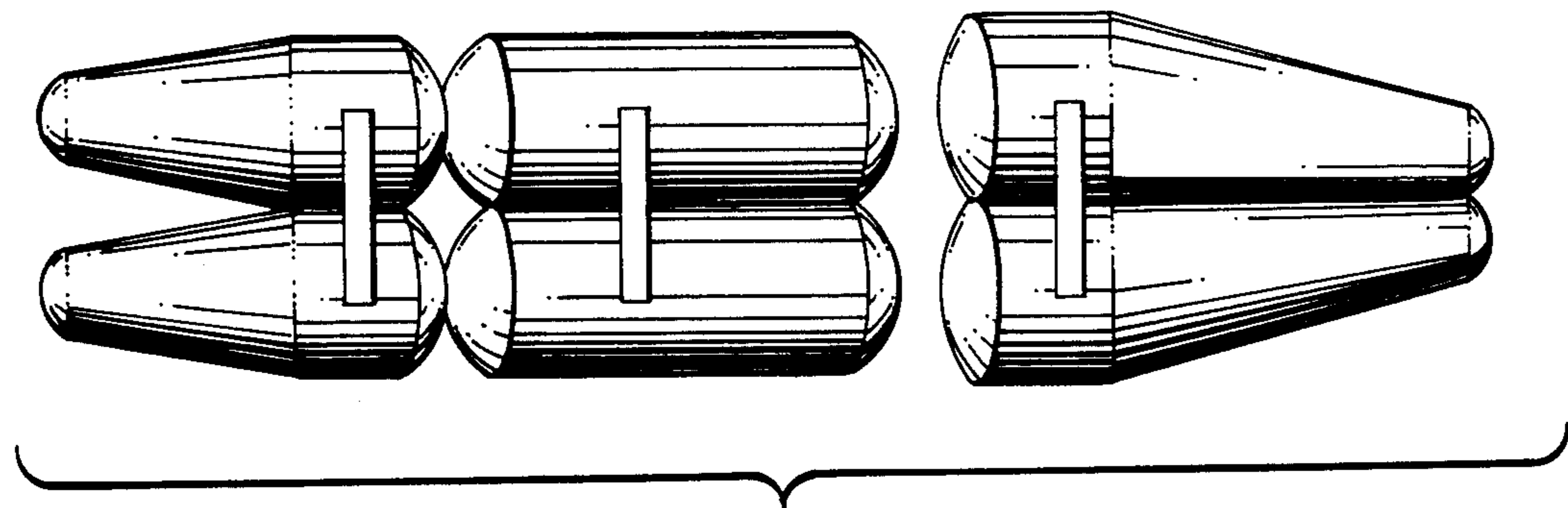


FIG. 4

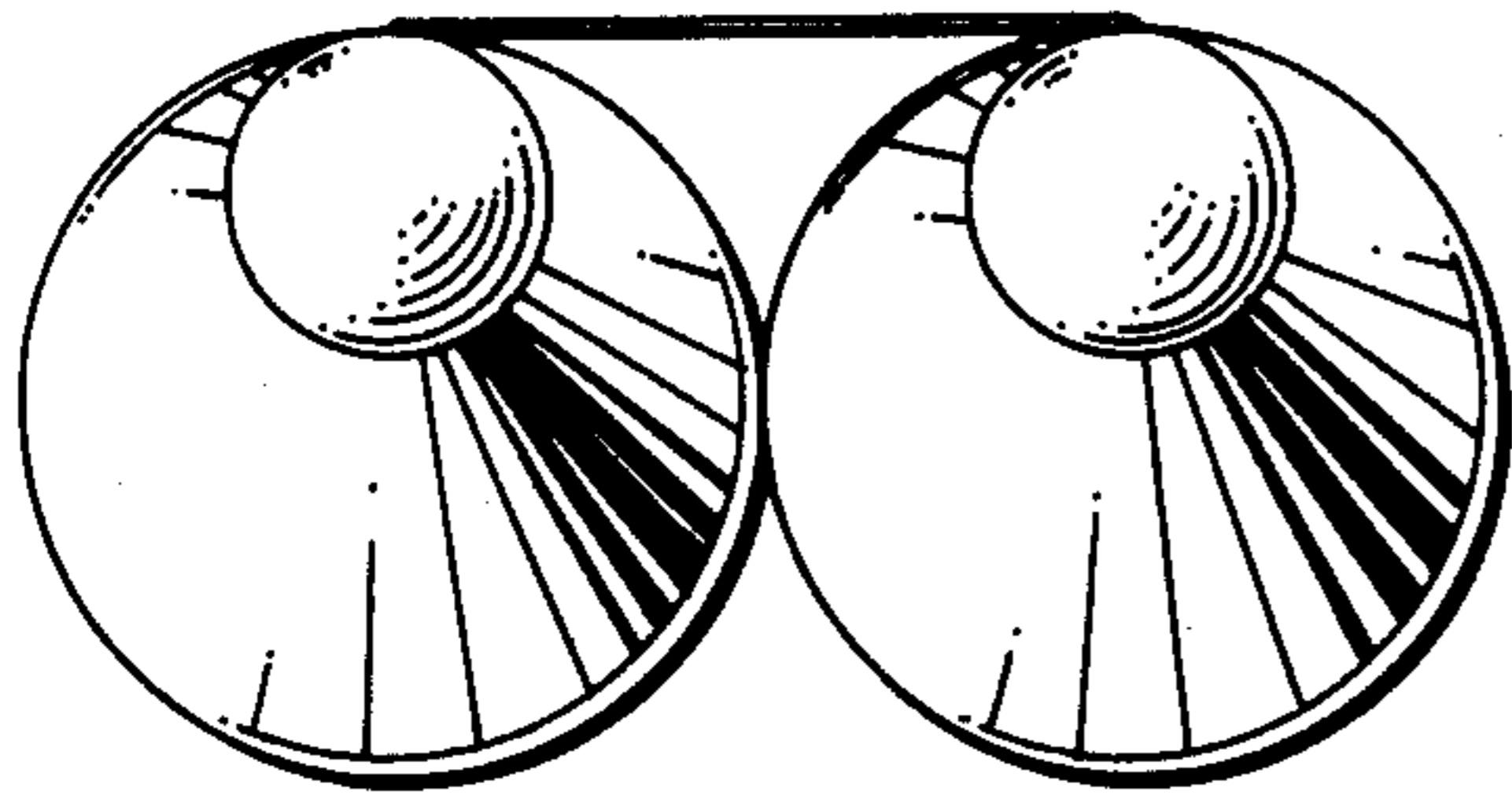


FIG. 5

FIG. 6

