

[54] HYDROPONIC TANK

[76] Inventor: Michael Wade Gray, 3435 Tennyson, Denver, Colo. 80212

[\*\*] Term: 14 Years

[21] Appl. No.: 765,338

[22] Filed: Feb. 3, 1977

[51] Int. Cl. .... D11-02

[52] U.S. Cl. .... D11/156

[58] Field of Search ..... D8/1; D11/143, 152, D11/155, 156, 164; D6/105, 113, 137; 47/59, 60, 66, 67, 71, 85, 86, 40.5, 44, 47, 26; 248/524

[56] References Cited

U.S. PATENT DOCUMENTS

D. 243,113 1/1977 Hirsch ..... D11/156  
780,627 1/1905 Umbehend ..... 47/66

2,971,290 2/1961 Kyle ..... 47/59  
3,724,127 4/1973 Rosenwach ..... D11/156

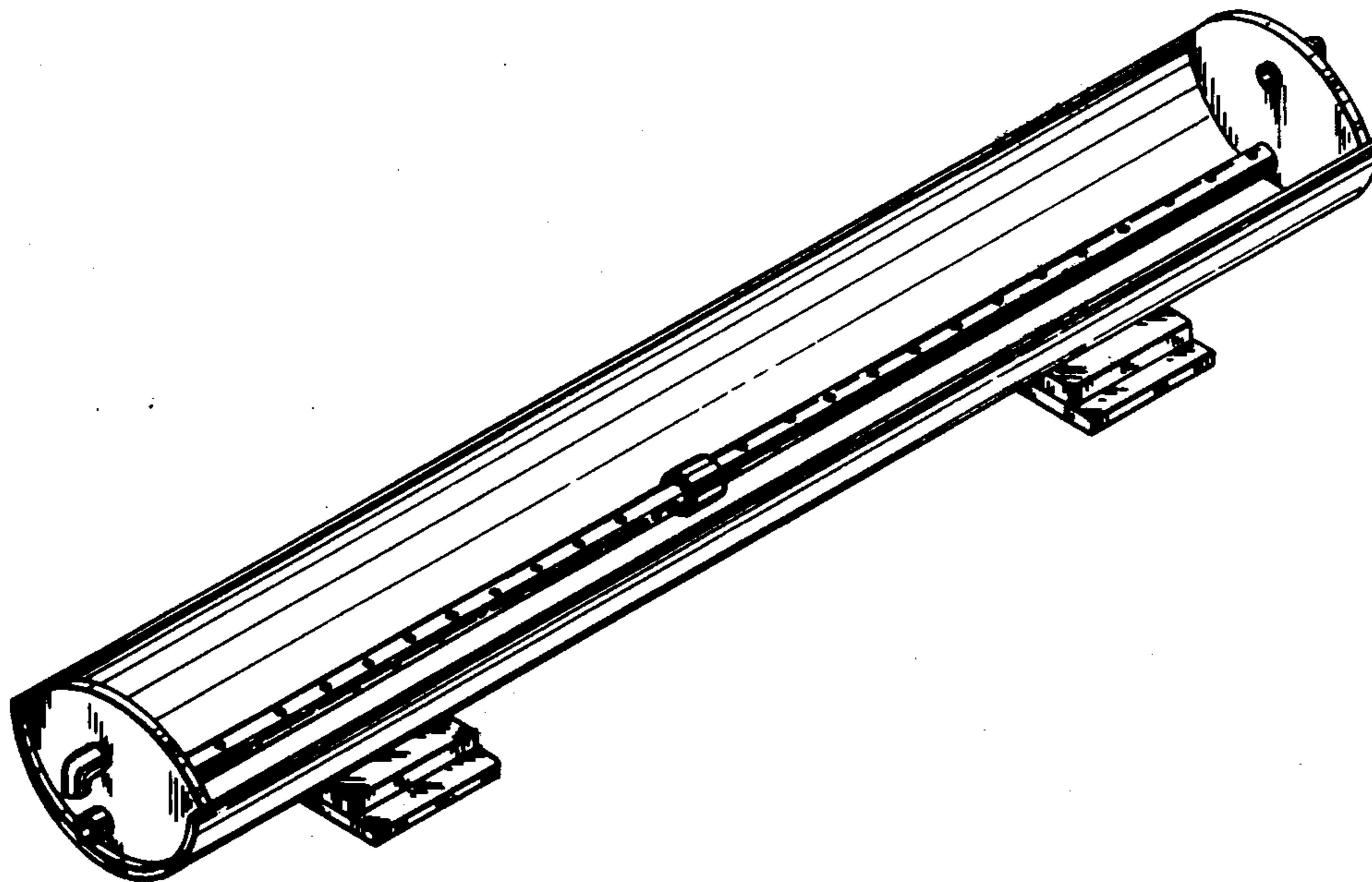
Primary Examiner—Wallace R. Burke  
Assistant Examiner—B. J. Bullock  
Attorney, Agent, or Firm—Thomas W. O'Rourke

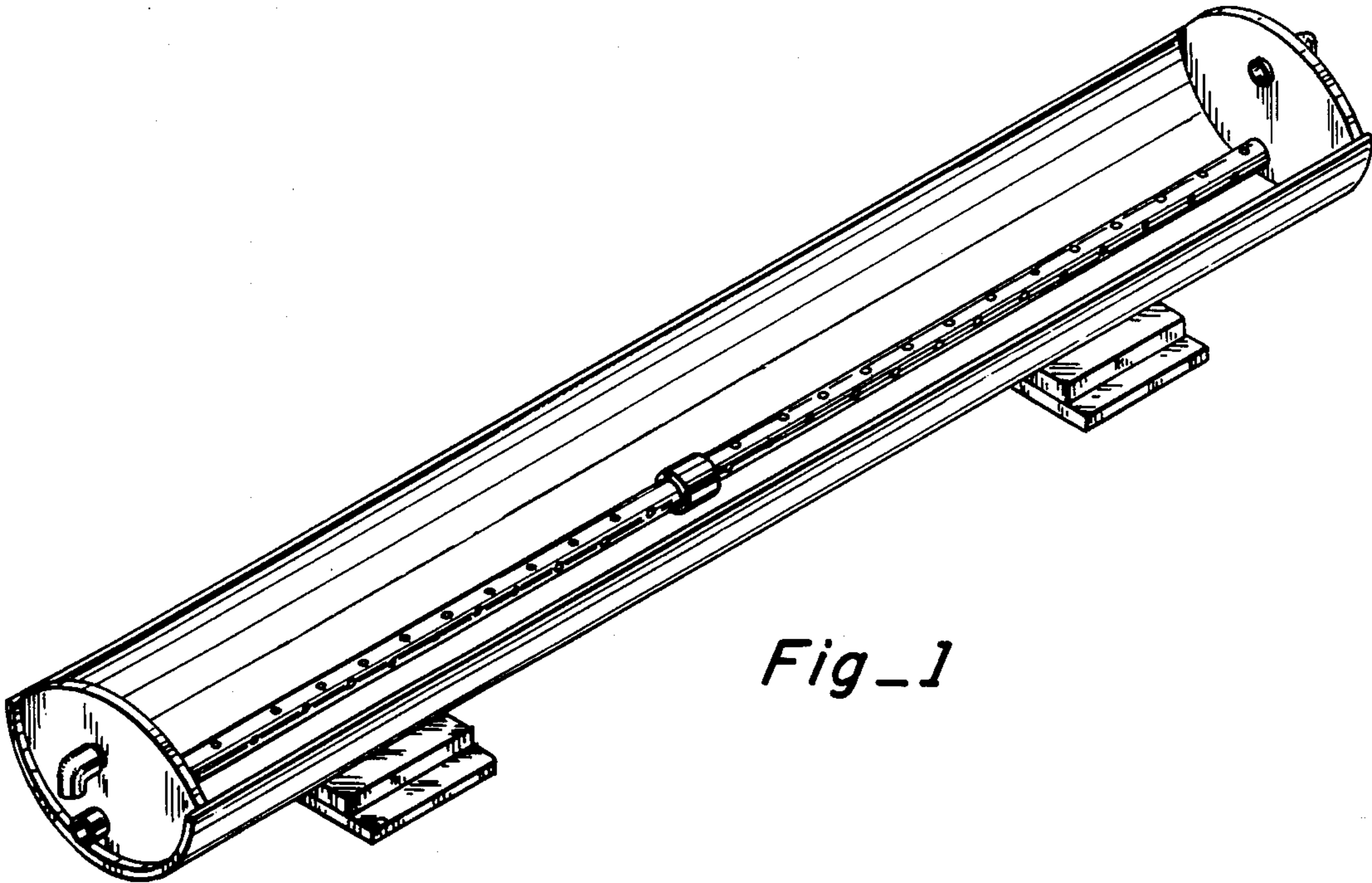
[57] CLAIM

The ornamental design for a hydroponic tank, as shown.

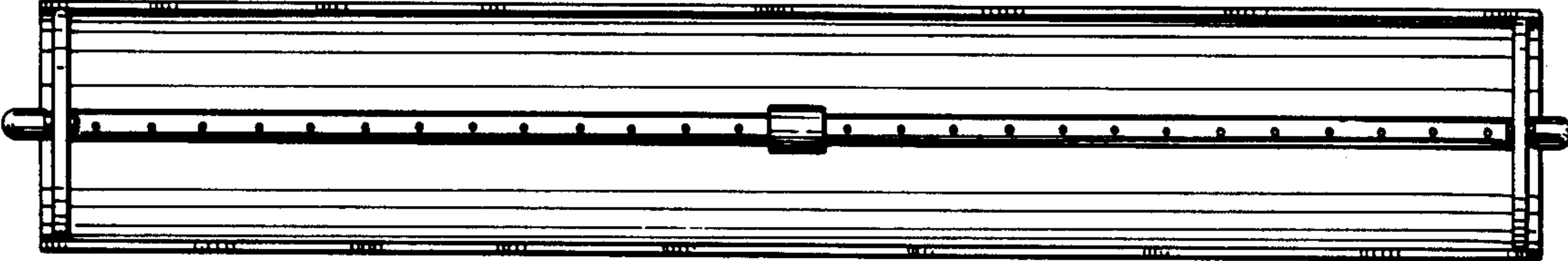
DESCRIPTION

FIG. 1 is a perspective view of the hydroponic tank showing my new design;  
FIG. 2 is a top plan view of the hydroponic tank shown in FIG. 1;  
FIG. 3 is a side elevation view of the hydroponic tank shown in FIG. 1; and  
FIG. 4 is an end view of the hydroponic tank shown in FIG. 1.

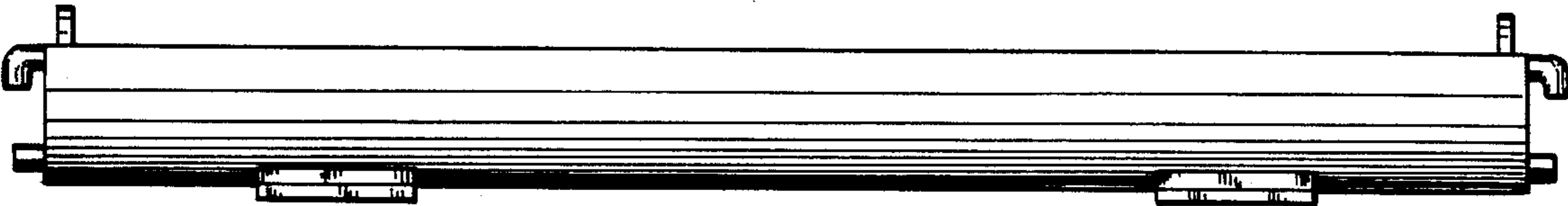




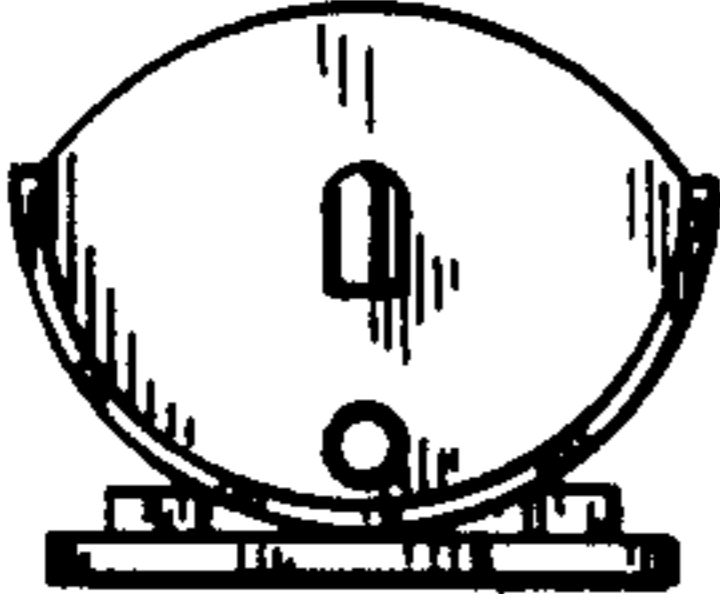
*Fig\_1*



*Fig\_2*



*Fig\_3*



*Fig\_4*