

[54] COMBINED LAMP AND PLANT SUPPORT OR THE LIKE

[76] Inventor: Herbert E. Wright, 504 E. Davie St., Raleigh, N.C. 27601

[\*\*] Term: 14 Years

[21] Appl. No.: 644,023

[22] Filed: Dec. 24, 1975

[51] Int. Cl. .... D11-02

[52] U.S. Cl. .... D11/144

[58] Field of Search ..... D29/1 R, 23 R, 23 A; 240/10 R; D48/20 A, 20 D; D11/131, 144; D6/20, 28, 146

[56]

References Cited

U.S. PATENT DOCUMENTS

D. 44,705	9/1913	Crisafi .....	D6/20
1,408,128	2/1922	Neahr .....	240/10 R
3,065,785	11/1962	Taber .....	D48/20 A
3,174,688	3/1965	Chatten .....	D11/131 X

Primary Examiner—Joel Stearman  
Assistant Examiner—Louis S. Zarfes  
Attorney, Agent, or Firm—John G. Mills, III

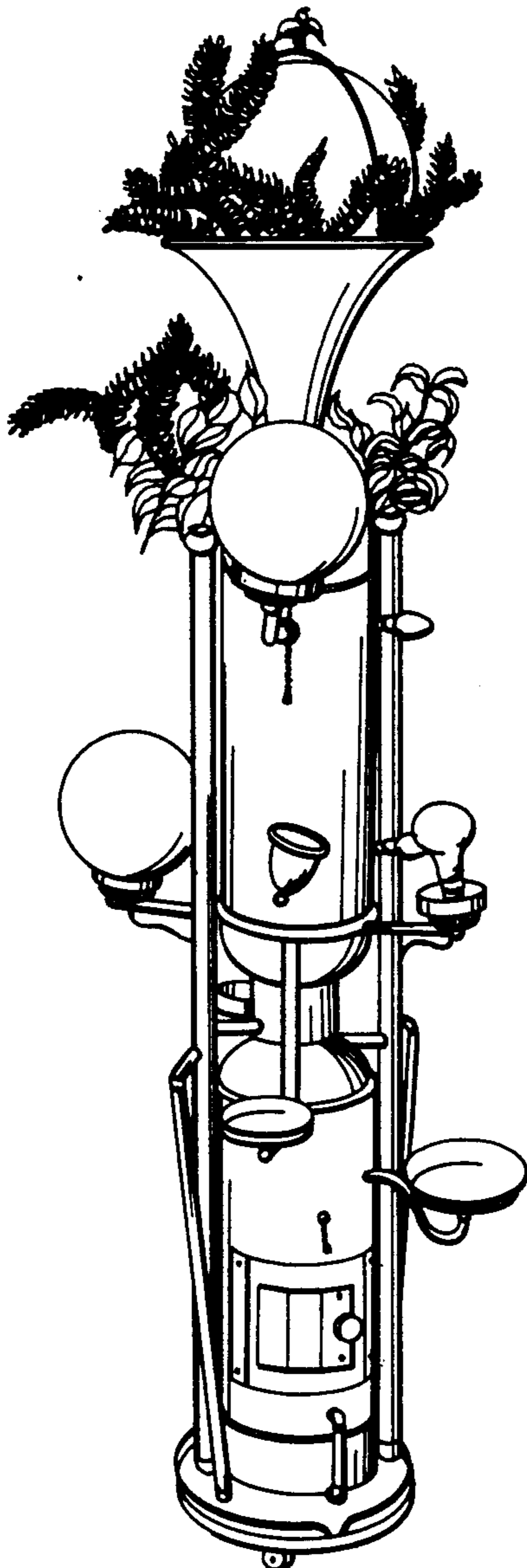
[57]

CLAIM

The ornamental design of a combined lamp and plant support or the like, as shown.

DESCRIPTION

FIG. 1 is a perspective view of a combined lamp and plant support or the like showing my new design; FIG. 2 is a perspective view thereof rotated 120° clockwise; and FIG. 3 is a perspective view thereof rotated 120° counterclockwise from FIG. 1.



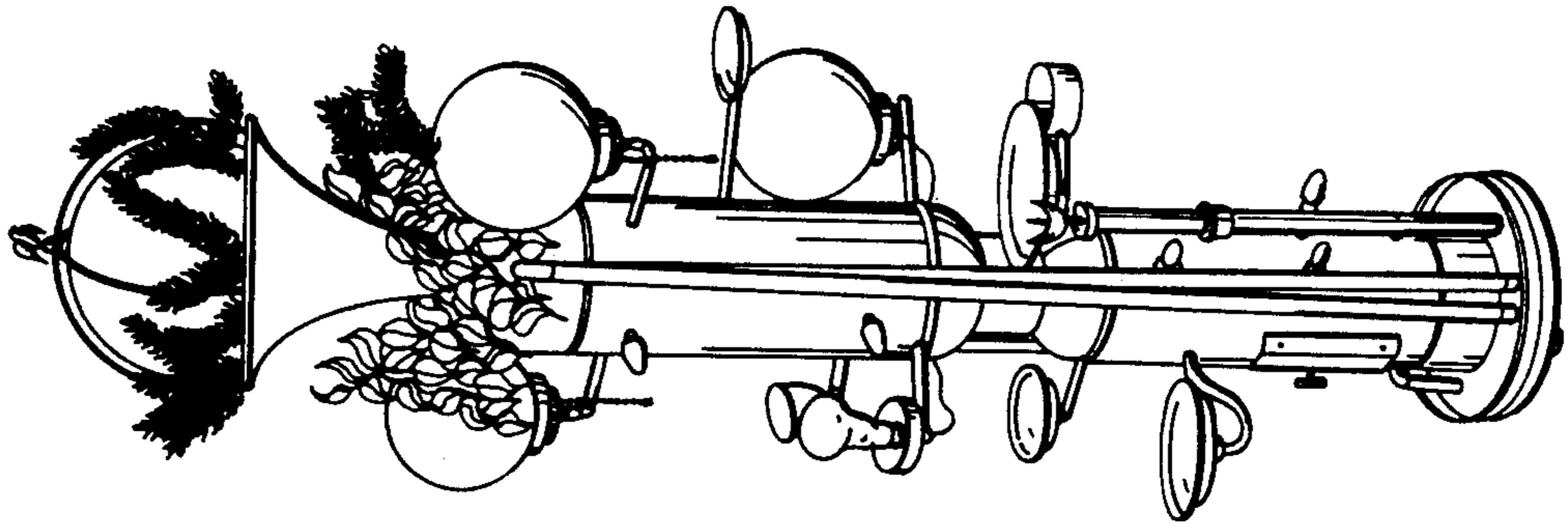


FIG. 2

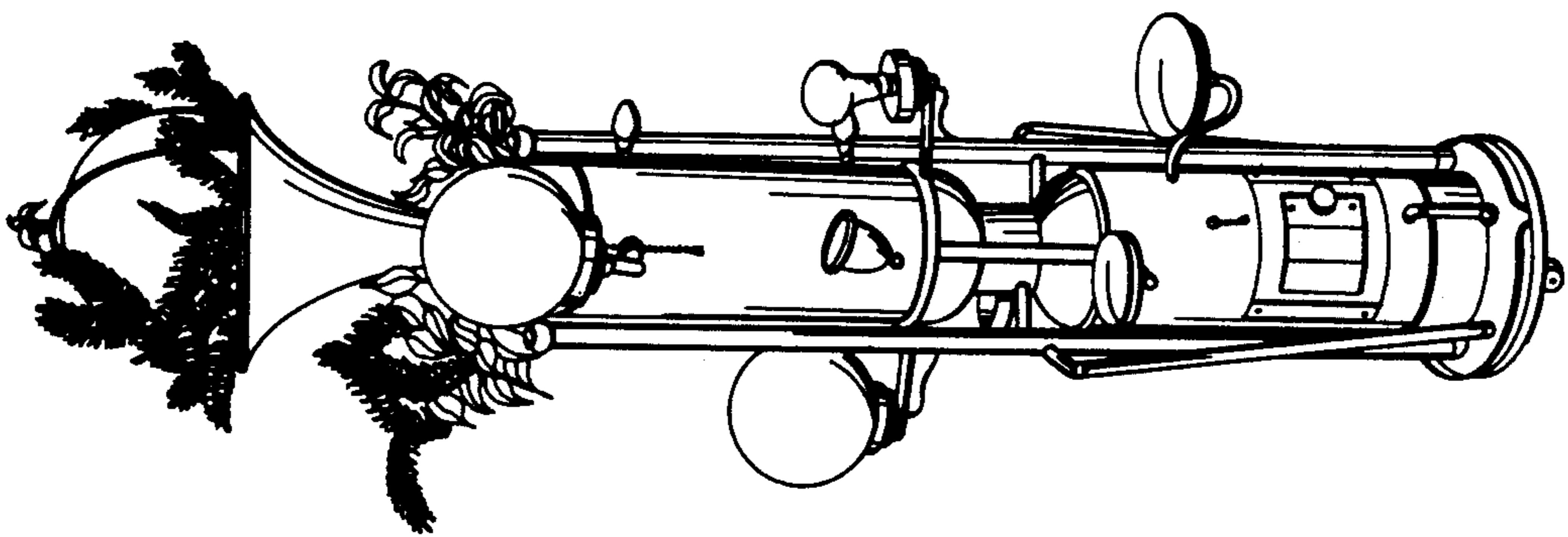


FIG. 1

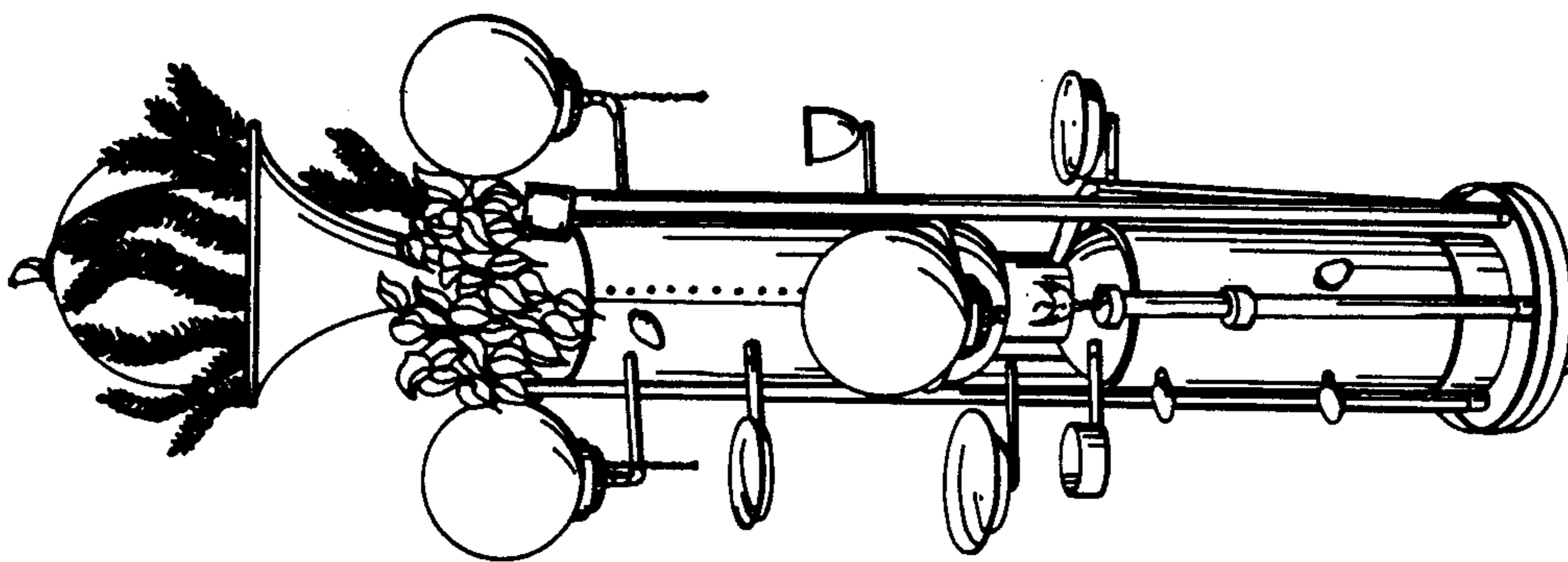


FIG. 3