

[54] LINE MARKER BUOY

[76] Inventor: Robert Sinclair, Tangier Island, Va. 23440

[**] Term: 14 Years

[21] Appl. No.: 779,955

[22] Filed: Mar. 22, 1977

[51] Int. Cl. D10-06

[52] U.S. Cl. D10/107

[58] Field of Search D10/107; 116/107; 9/8 R, 8.3, 9

[56] References Cited

U.S. PATENT DOCUMENTS

D. 181,102 10/1957 Kurt et al. D10/107
1,066,636 7/1913 Macgenn 9/8.3 R

2,790,187 4/1957 Marconi 9/8 R
3,875,602 4/1975 Miron D10/107 X
3,916,467 11/1974 Curd 9/8 R

Primary Examiner—Susan J. Lucas
Attorney, Agent, or Firm—William D. Hall

[57] CLAIM

The ornamental design for a line marker buoy, as shown and described.

DESCRIPTION

FIG. 1 is a front elevational view of a line marker buoy showing my new design, the rear being a mirror image; FIG. 2 is a side elevational view thereof, the opposite side being a mirror image; FIG. 3 is a bottom plan view thereof on a reduced scale; and FIG. 4 is a top plan view thereof on a reduced scale.

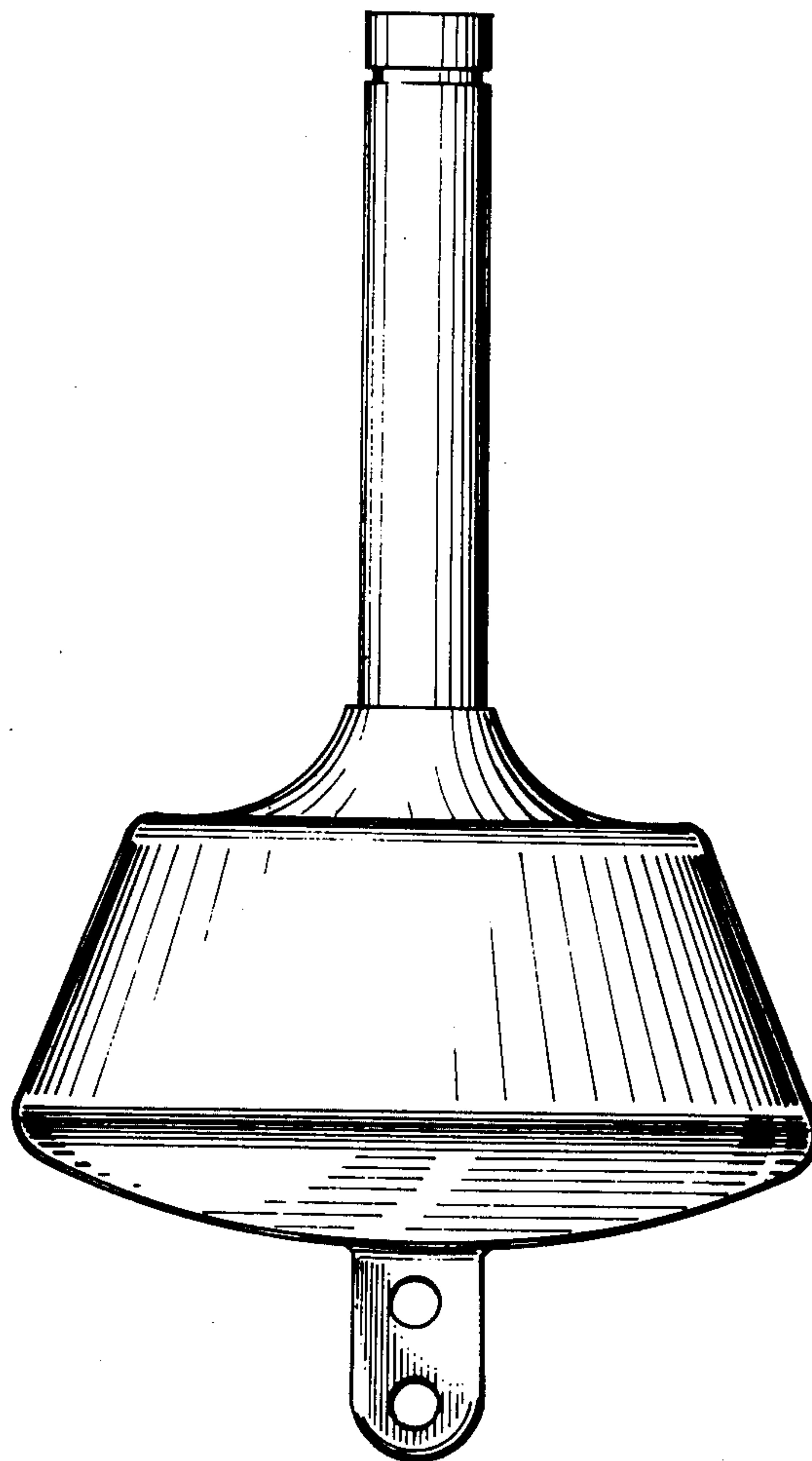


FIG. 1

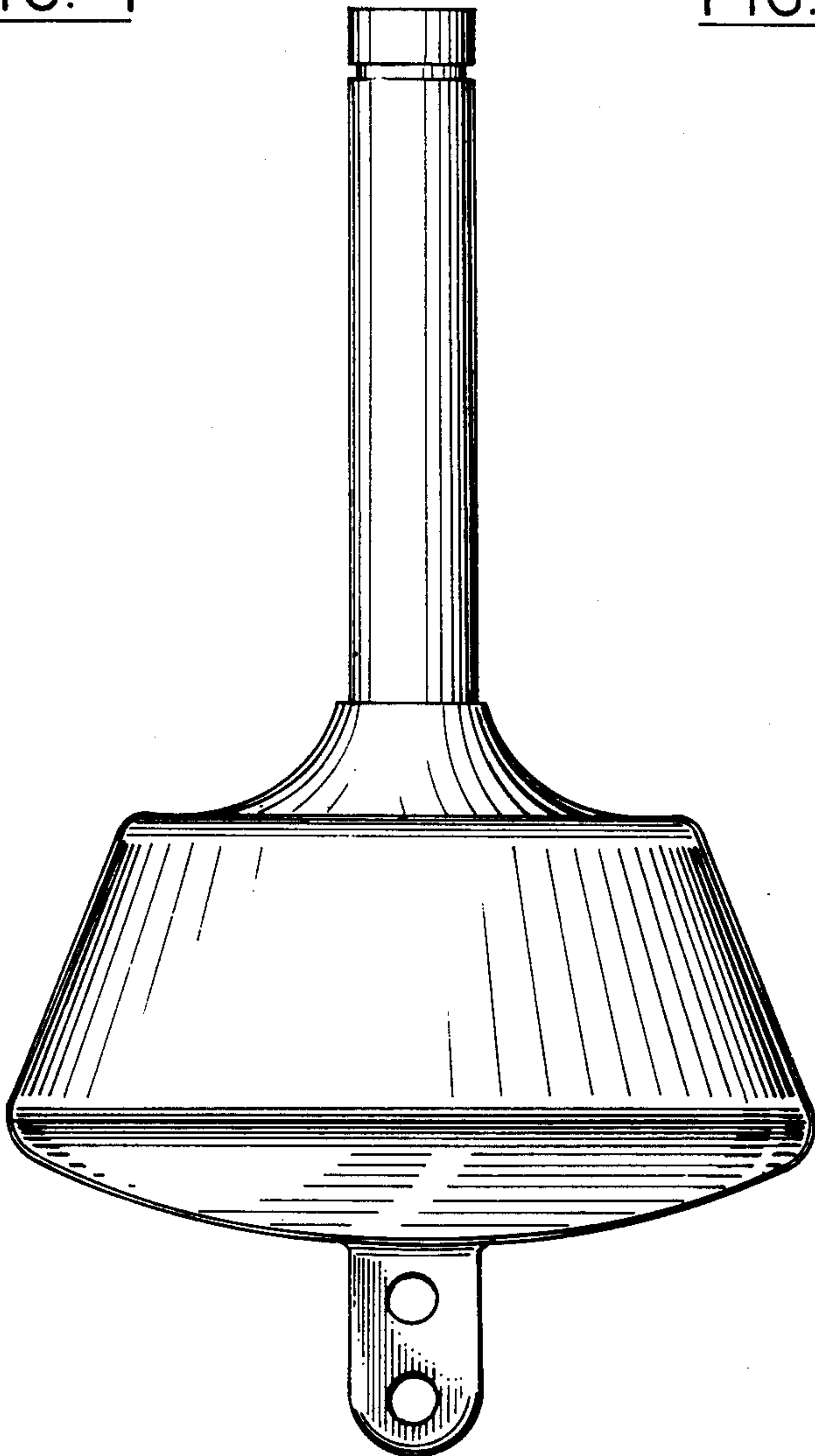


FIG. 3

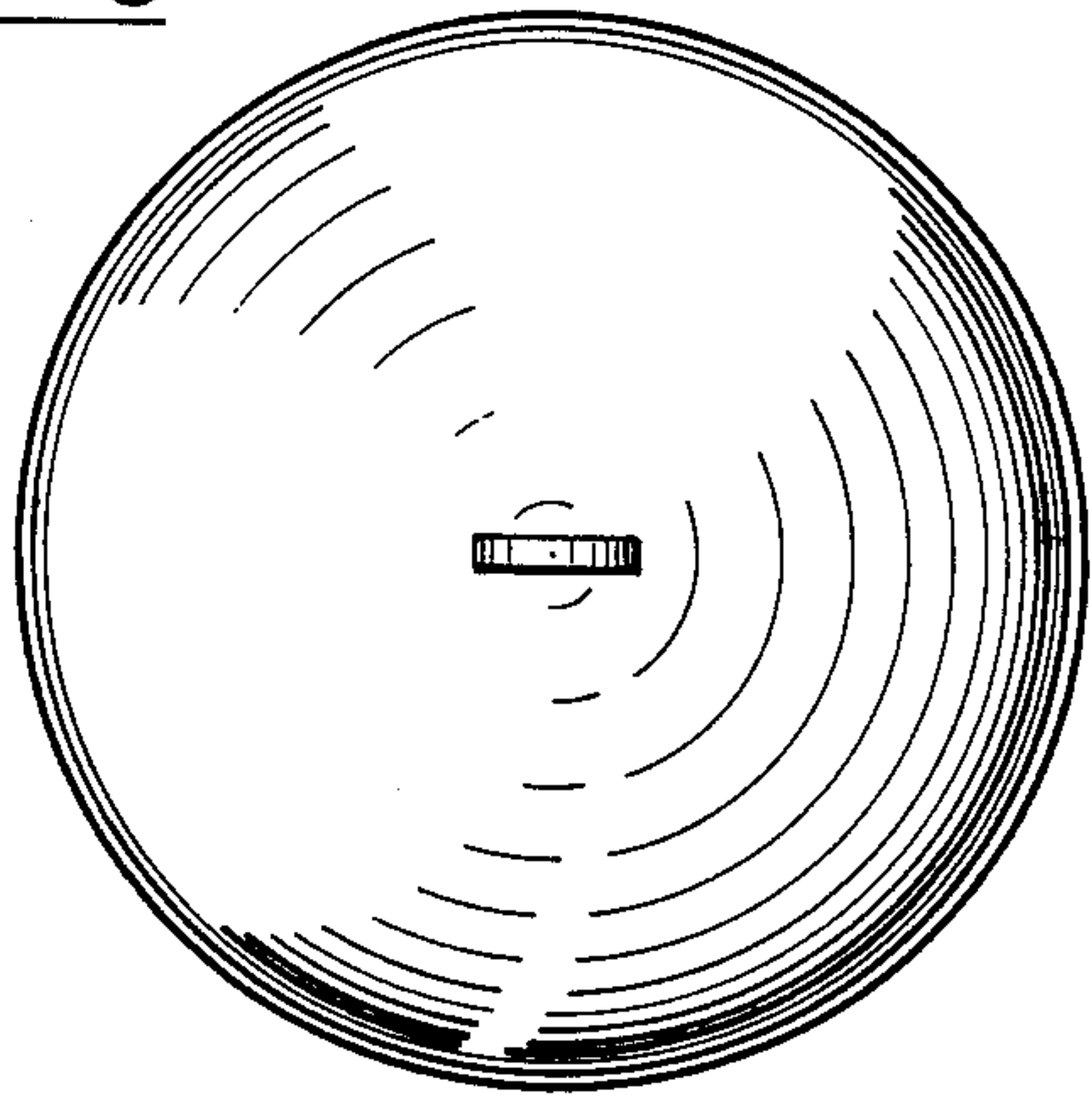


FIG. 2

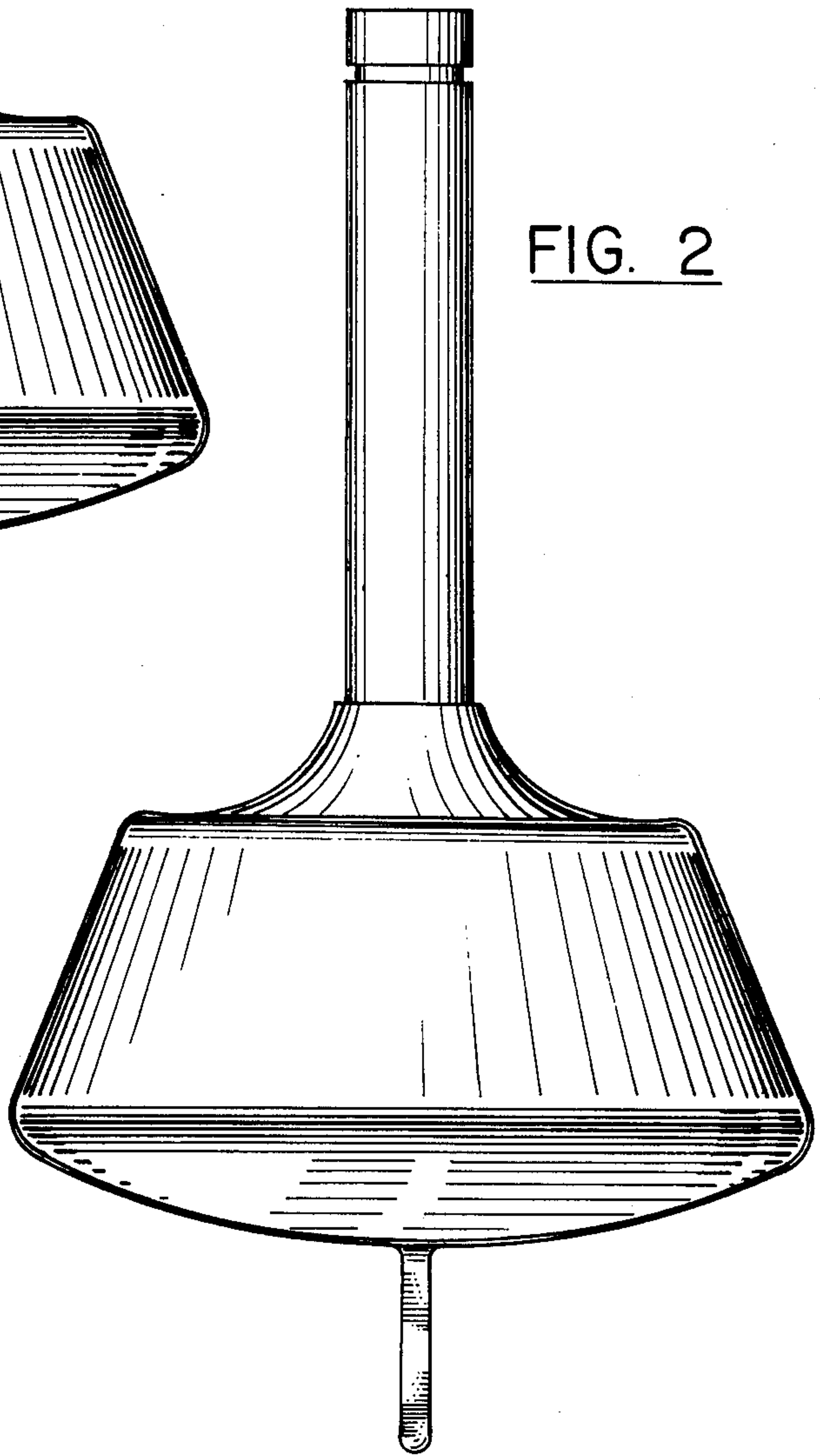


FIG. 4

