

[54] COMBINED CLOSURE CAP AND BRAKE FLUID DISPENSER

[76] Inventor: John Edward Witt, 12 Manor Gradens, Hampton, Middlesex, England

[\*\*] Term: 14 Years

[21] Appl. No.: 621,541

[22] Filed: Oct. 10, 1975

[51] Int. Cl. .... D9-07

[52] U.S. Cl. .... D9/275

[58] Field of Search ..... 222/566-574, 222/464, 489, 528, 531, 532, 546, 80-90; D9/290, 277, 278, 275

[56] References Cited U.S. PATENT DOCUMENTS

D. 179,159 11/1956 Sanborn ..... D9/277

D. 205,924 10/1966 Zelisko ..... D9/290  
D. 212,464 10/1968 Koukal ..... D9/277  
3,093,274 6/1963 Galbierz ..... D9/290 X

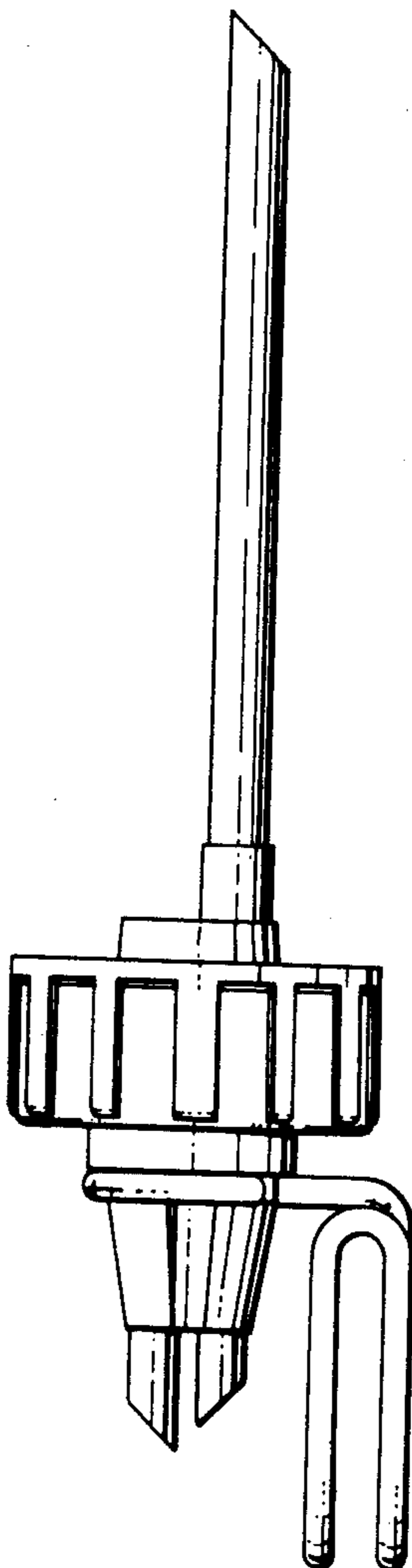
Primary Examiner—Robert C. Spangler  
Attorney, Agent, or Firm—David Toren

[57] CLAIM

The ornamental design for a combined closure cap and brake fluid dispenser, substantially as shown.

DESCRIPTION

FIG. 1 is a side elevational view of a combined closure cap and brake fluid dispenser showing my new design; FIG. 2 is a rear elevational view; FIG. 3 is a sectional view taken on the line 3—3 of FIG. 2; FIG. 4 is a side elevational view showing the side opposite that seen in FIG. 1; FIG. 5 is a front elevational view; FIG. 6 is a bottom plan view; and FIG. 7 is a top plan view thereof.



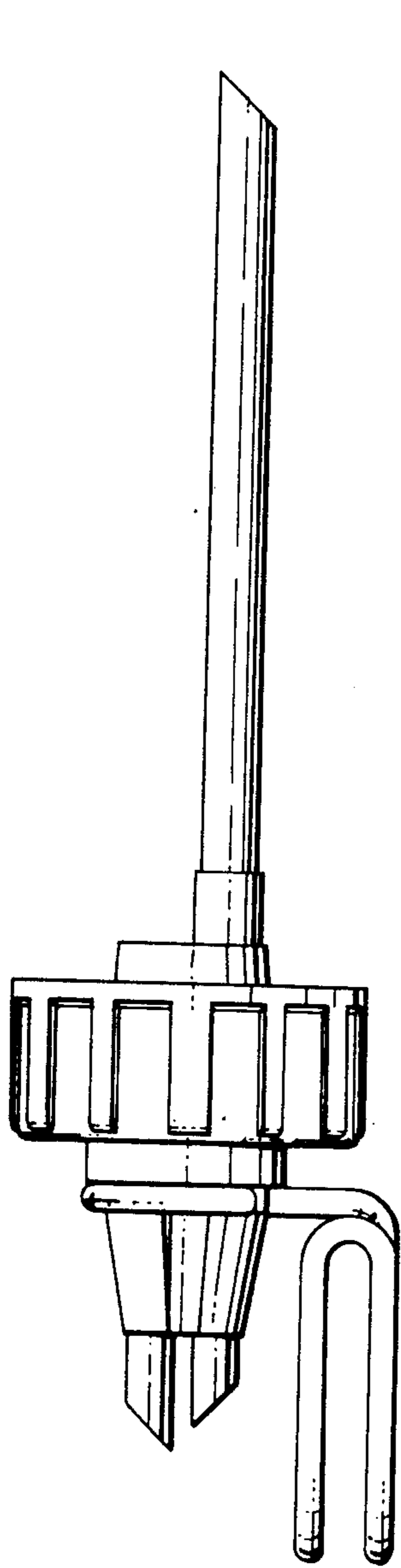


FIG. 1

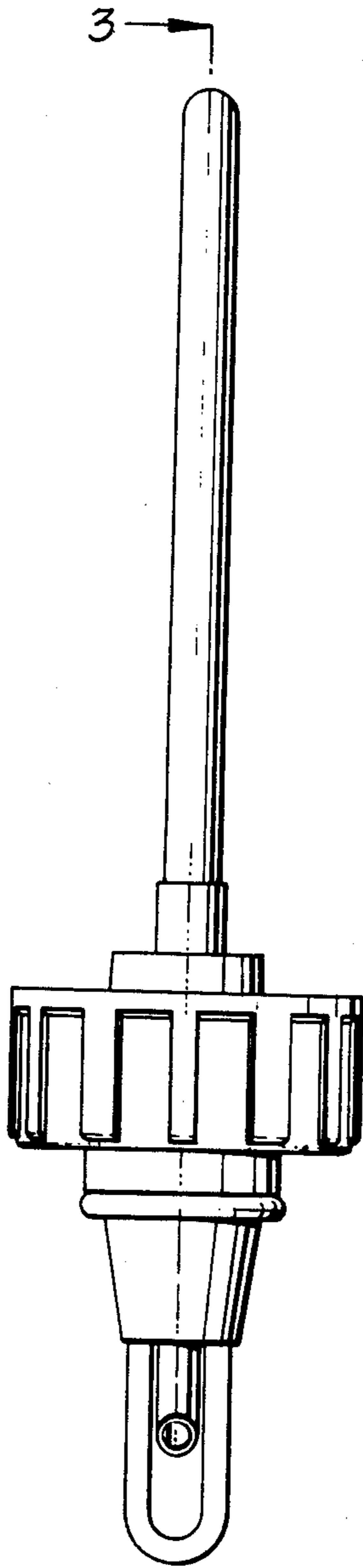


FIG. 2

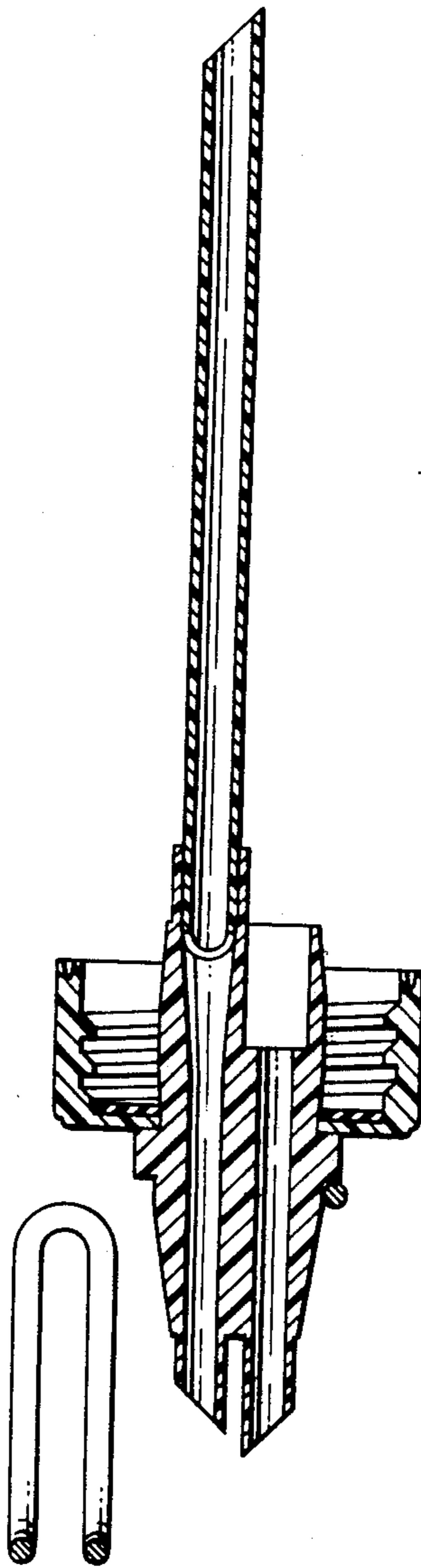


FIG. 3

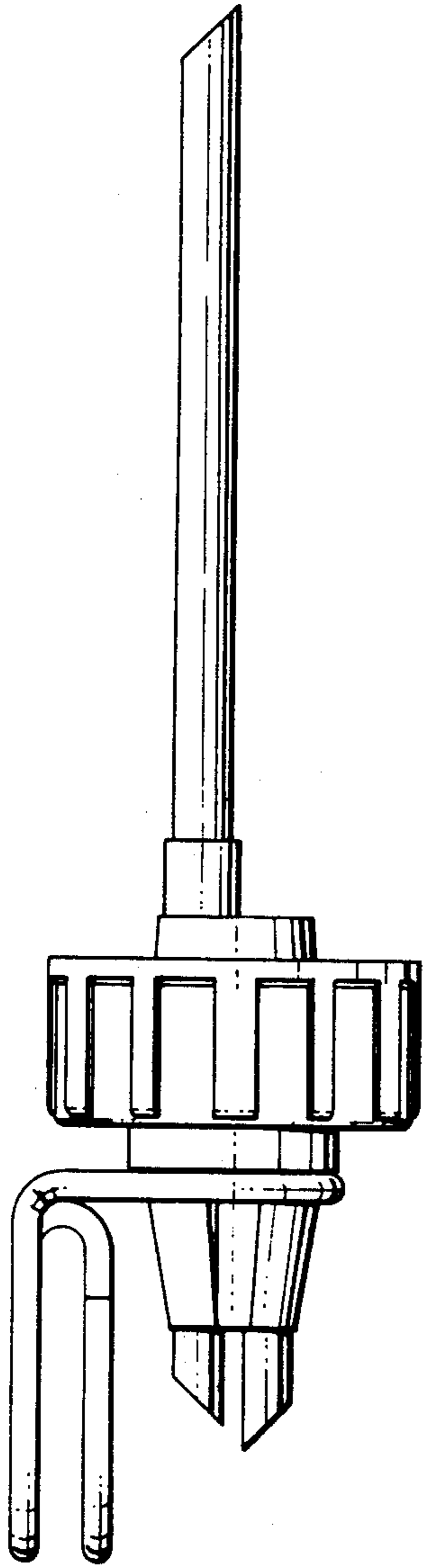


FIG. 4

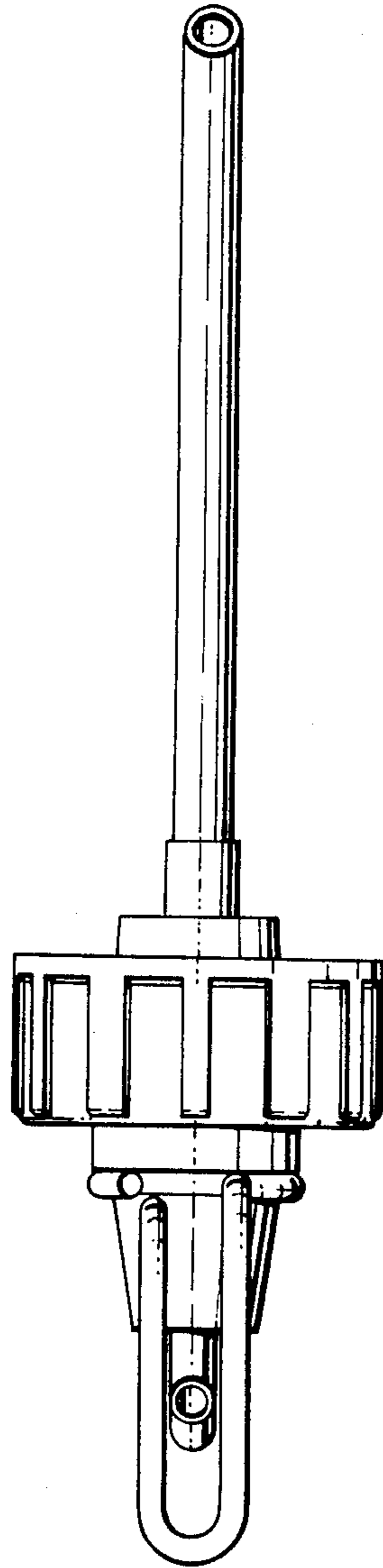


FIG. 5

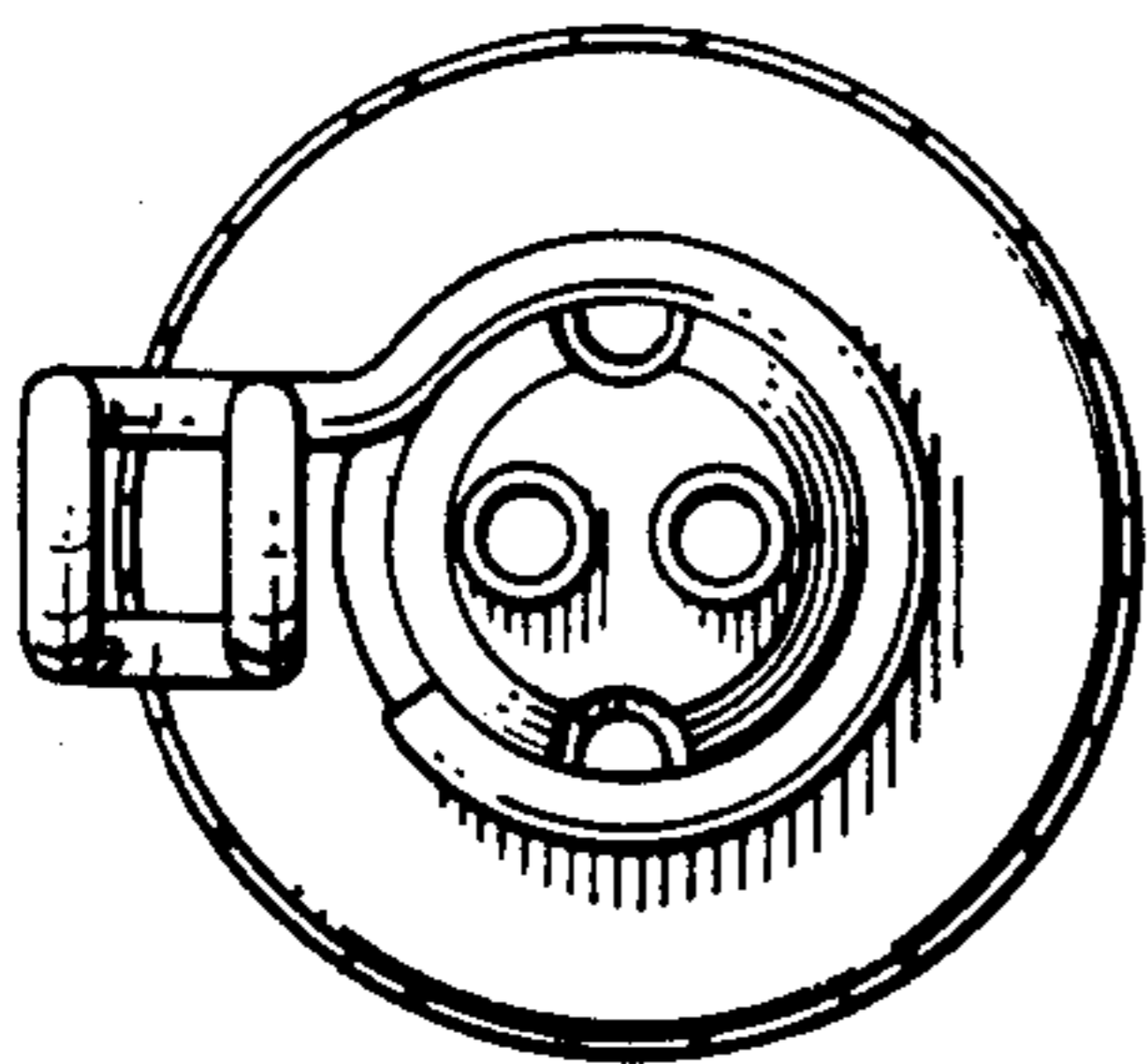


FIG. 6

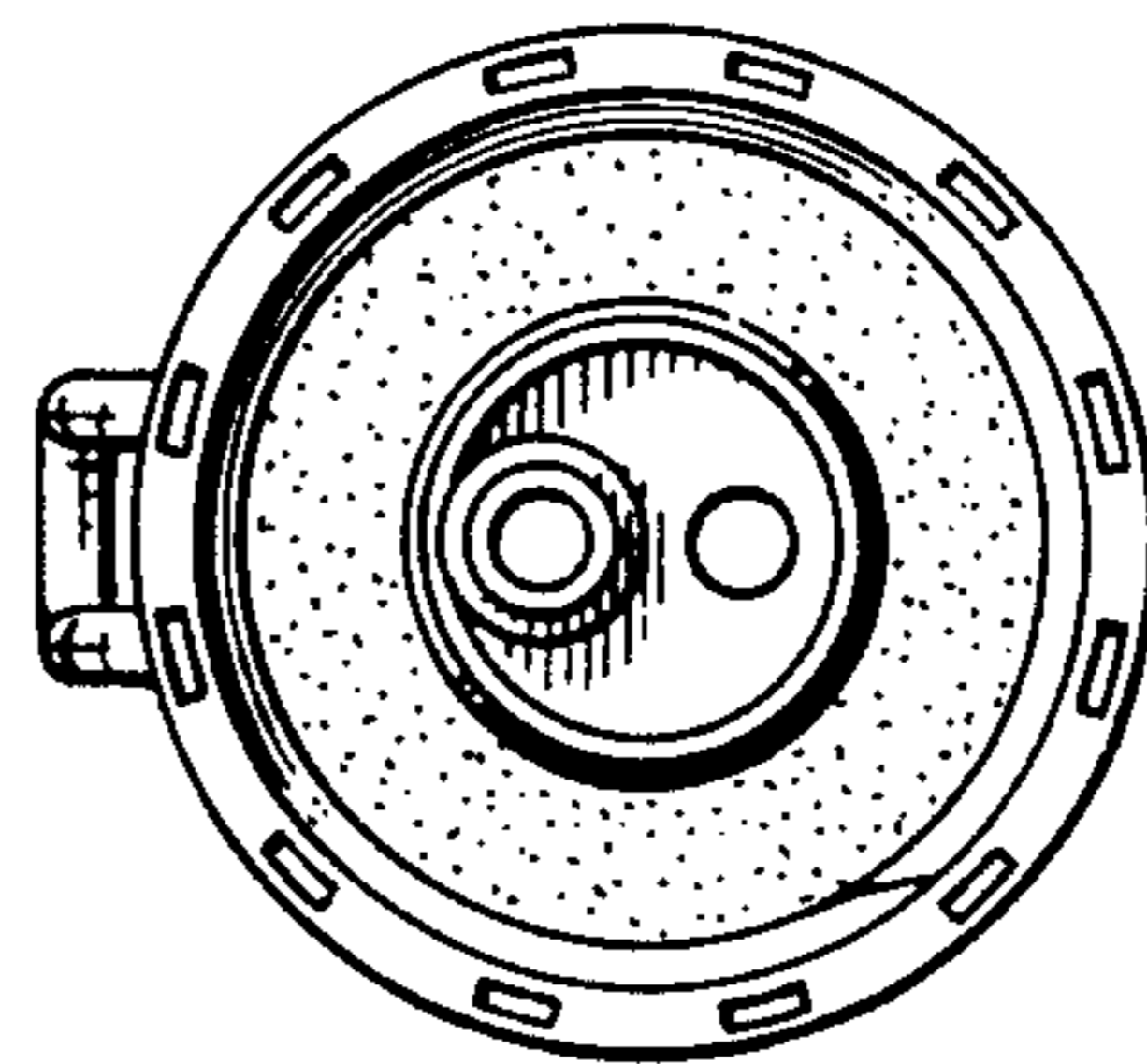


FIG. 7