

[54] WALL MOUNTED STAND FOR POTTED PLANTS OR THE LIKE

2,732,954 1/1956 Janonis et al. 47/66

[75] Inventor: Lee Richard Chasen, Port Chester, N.Y.

[73] Assignee: Coats & Clark, Inc., Stamford, Conn.

[**] Term: 14 Years

[21] Appl. No.: 713,890

[22] Filed: Aug. 12, 1976

[51] Int. Cl. D6-06; D6-04

[52] U.S. Cl. D6/137

[58] Field of Search D6/20, 28, 85, 87, 93, D6/113, 132, 134, 135, 136, 137, 179, 182, 186; D11/143, 148, 149, 152, 155; 47/66, 67, 70, 72, 39; 211/74, 75, 113, 115, 117, 118; 108/149

[56] References Cited

U.S. PATENT DOCUMENTS

213,034	3/1879	Bingham	47/39
D. 234,992	4/1975	Burk	D6/137
1,676,124	7/1928	Wilkie	211/74
2,029,246	1/1936	McCarroll	47/39
2,504,583	4/1950	Rachic	47/39

OTHER PUBLICATIONS

Vogue Planter/Pot Holders, Cat. 7/1976, p. 29, Hanger 6261.

Primary Examiner—Wallace R. Burke

Assistant Examiner—B. J. Bullock

Attorney, Agent, or Firm—Milton J. Wayne

[57] CLAIM

The ornamental design for a wall mounted stand for potted plants or the like, substantially as shown.

DESCRIPTION

FIG. 1 is a side elevational view of a wall mounted stand for potted plants or the like showing my new design;

FIG. 2 is a top plan view;

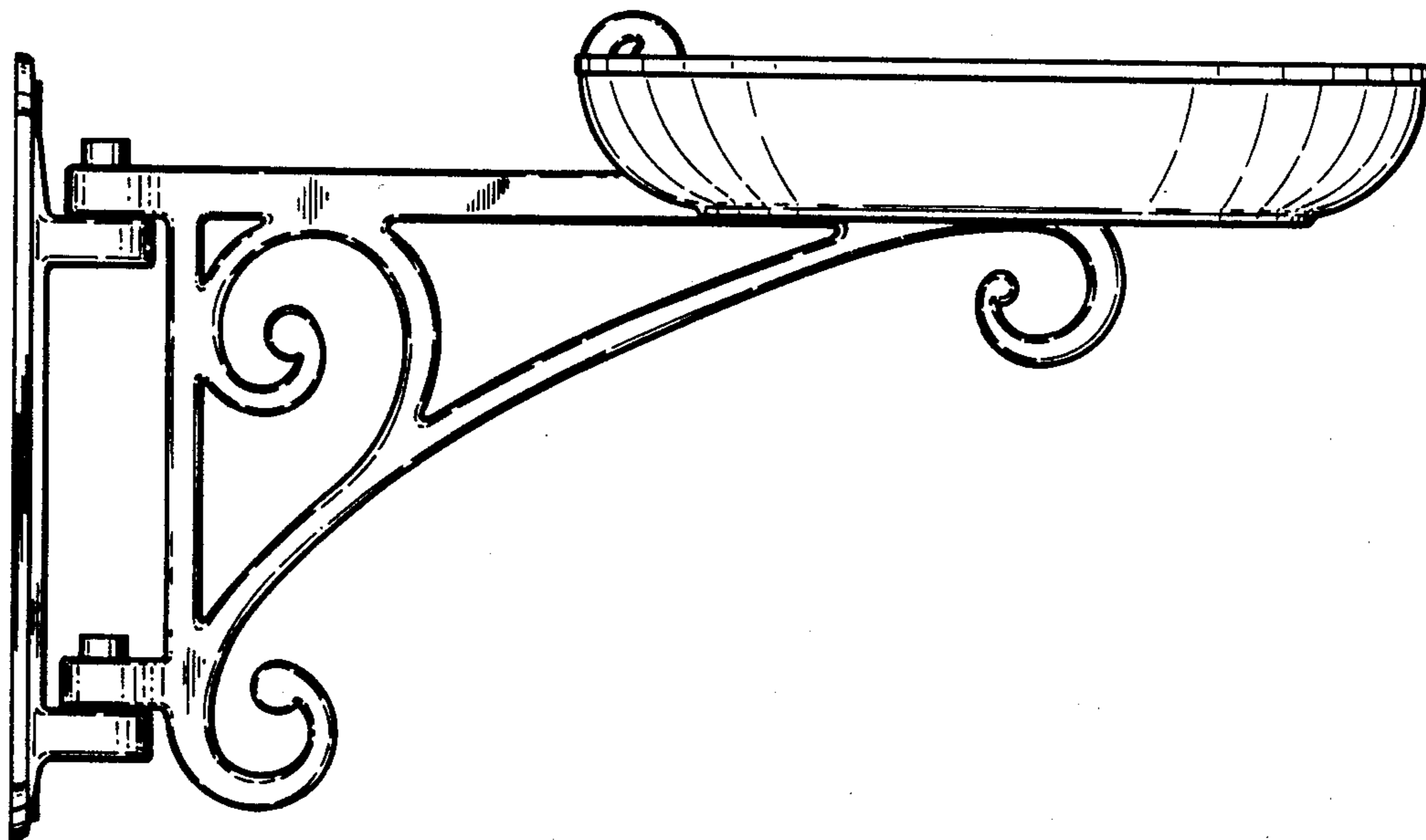
FIG. 3 is a bottom plan view;

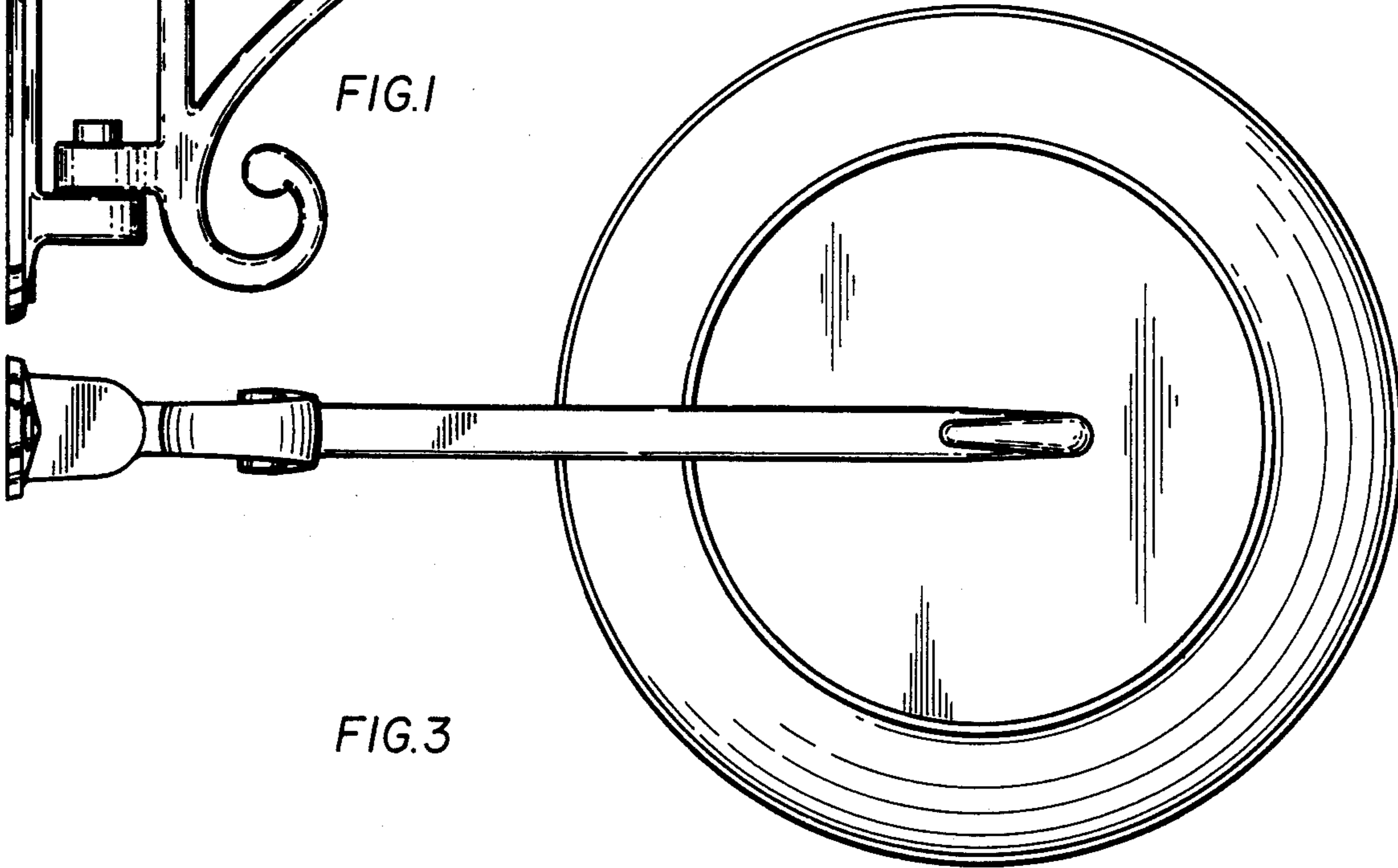
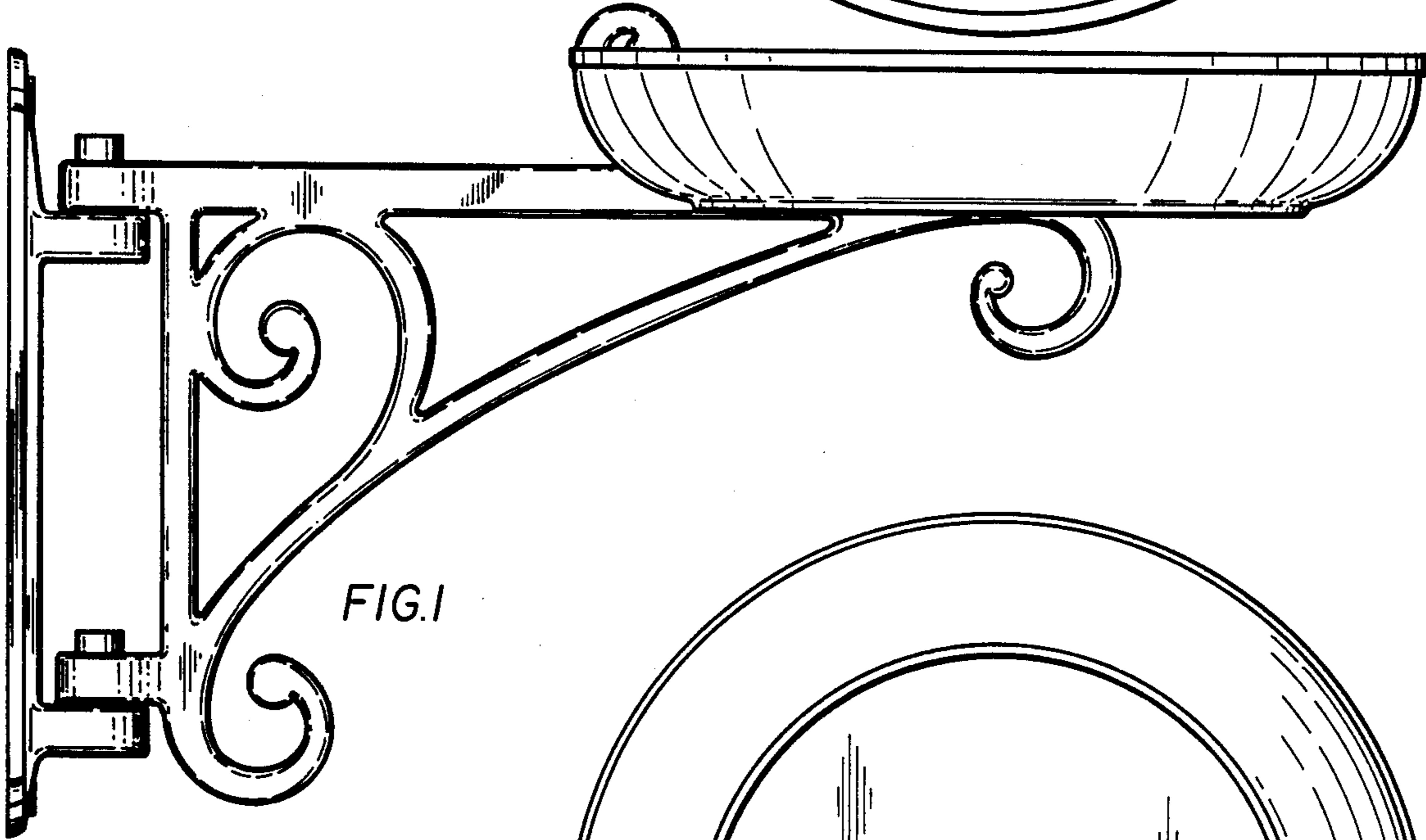
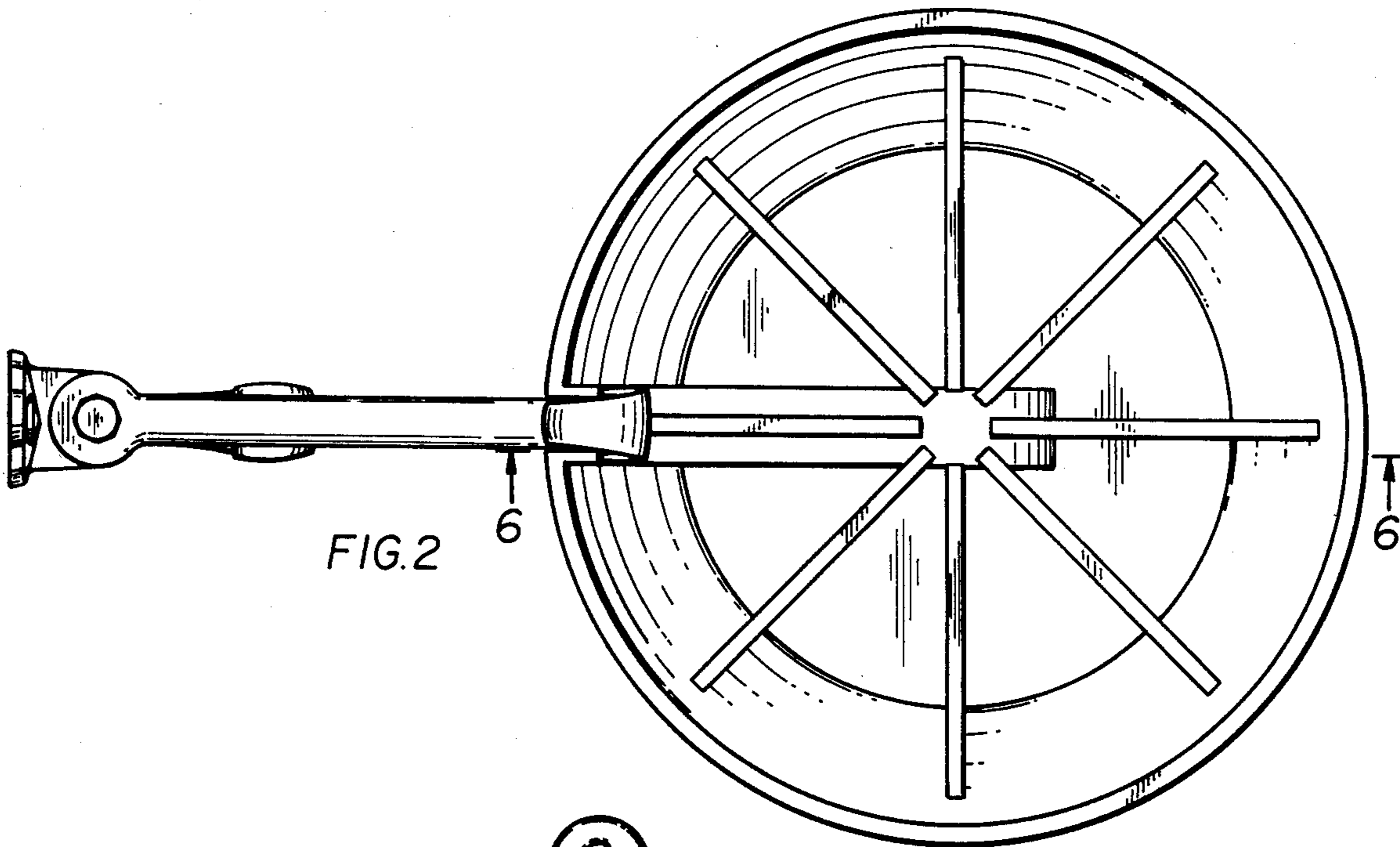
FIG. 4 is a front elevational view;

FIG. 5 is a rear elevational view;

FIG. 6 is a fragmentary sectional view taken on line 6-6 of FIG. 2;

FIG. 7 is a fragmentary sectional view on line 7-7 of FIG. 6.





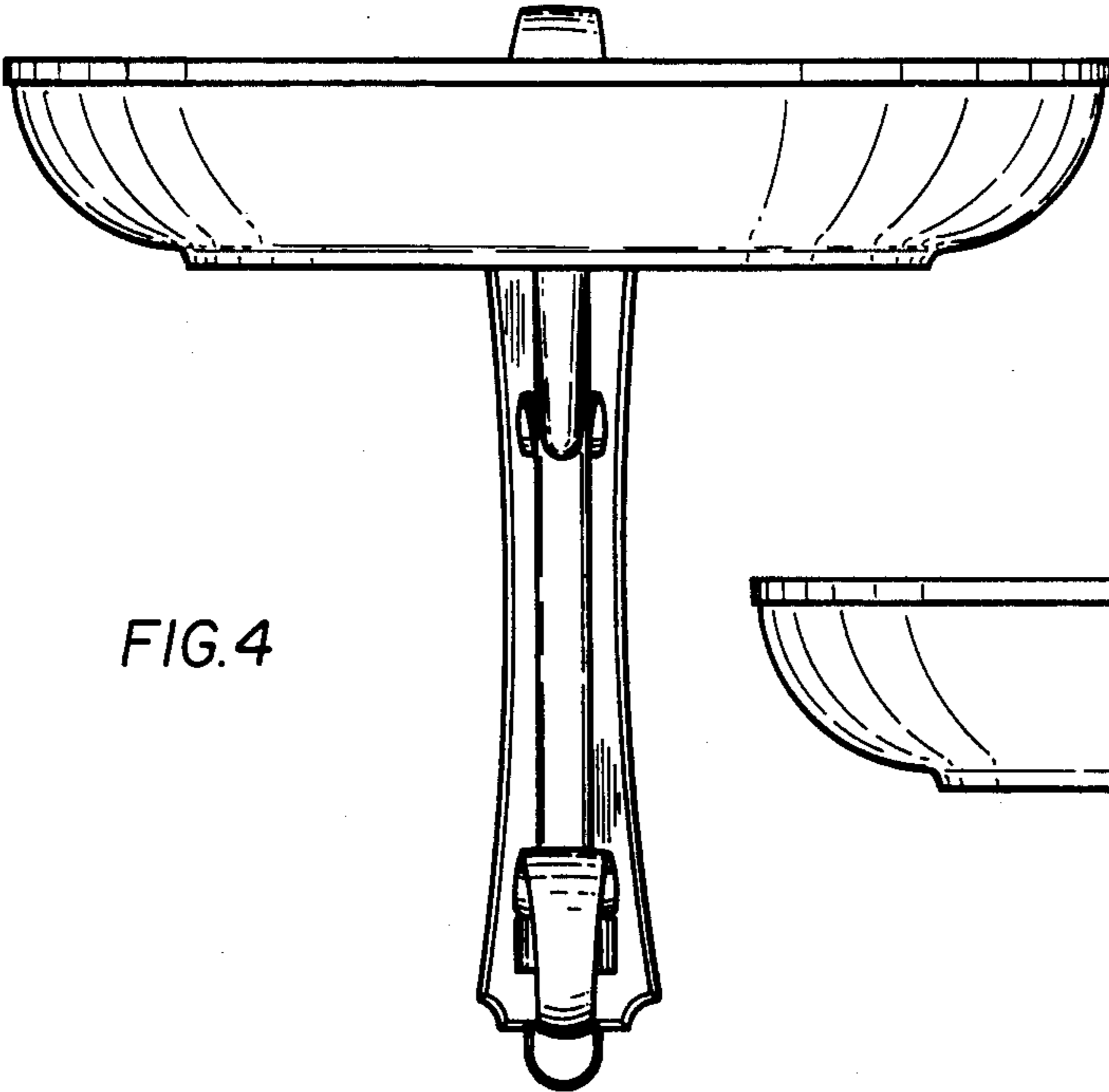


FIG. 4

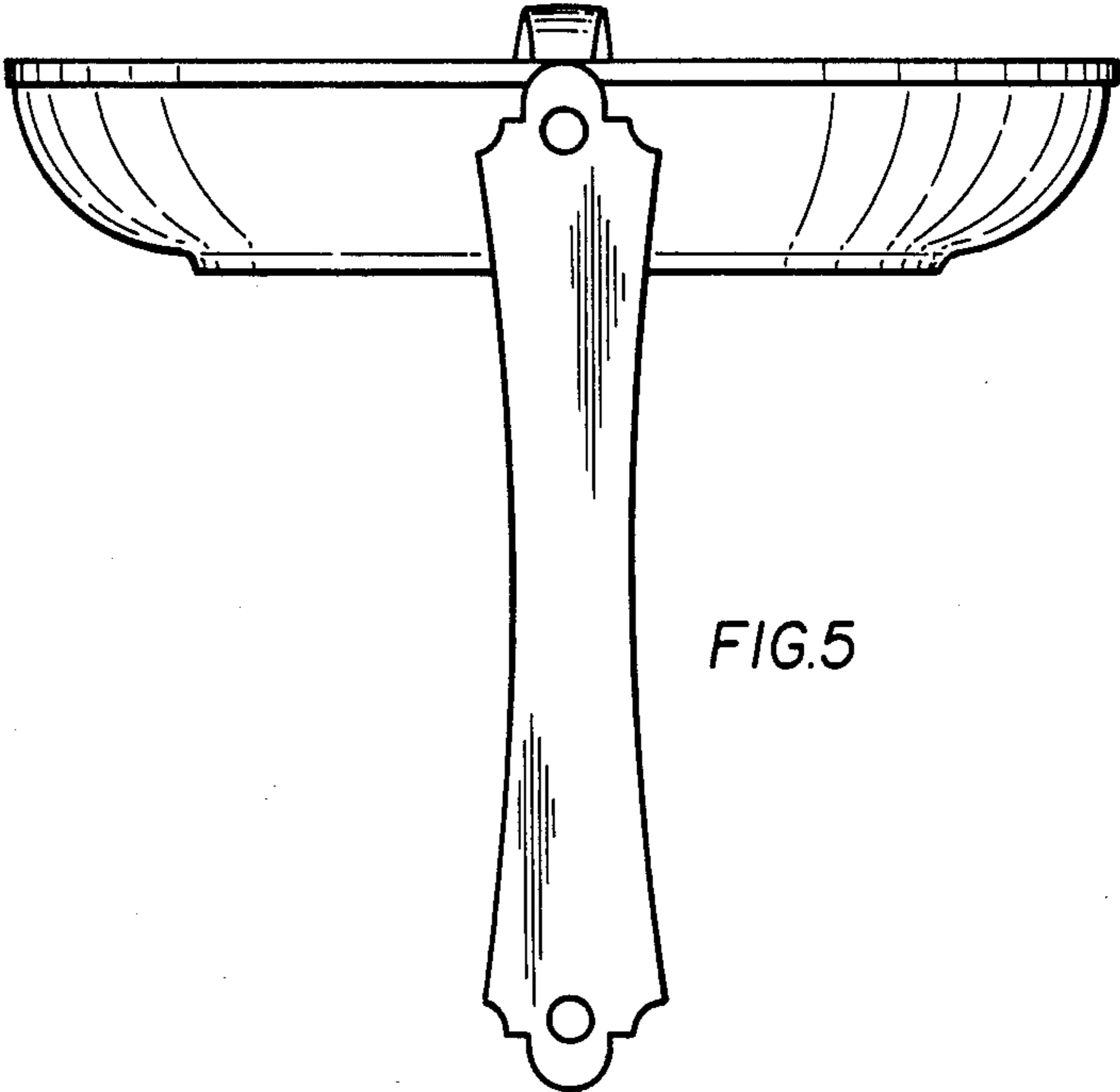


FIG. 5

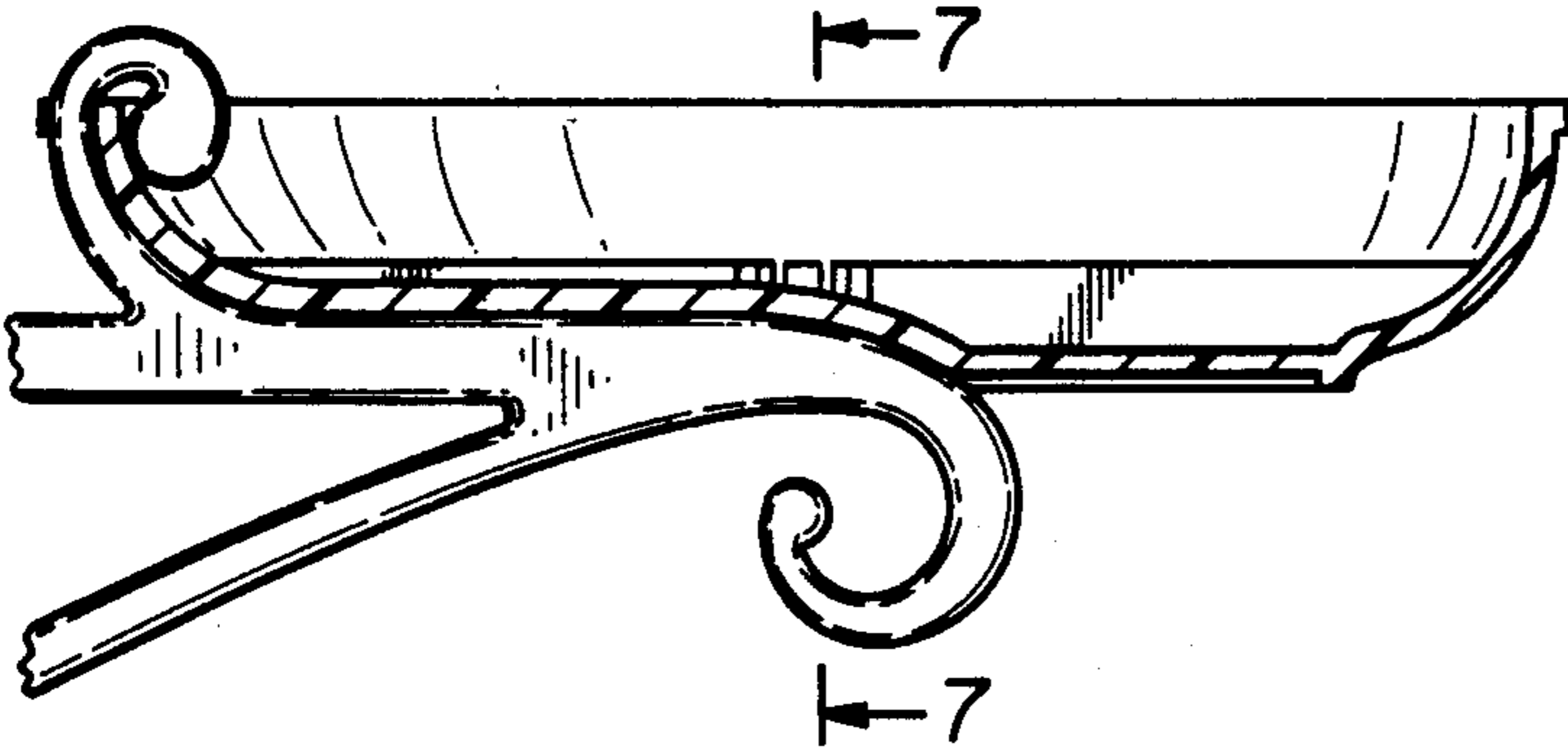


FIG. 6

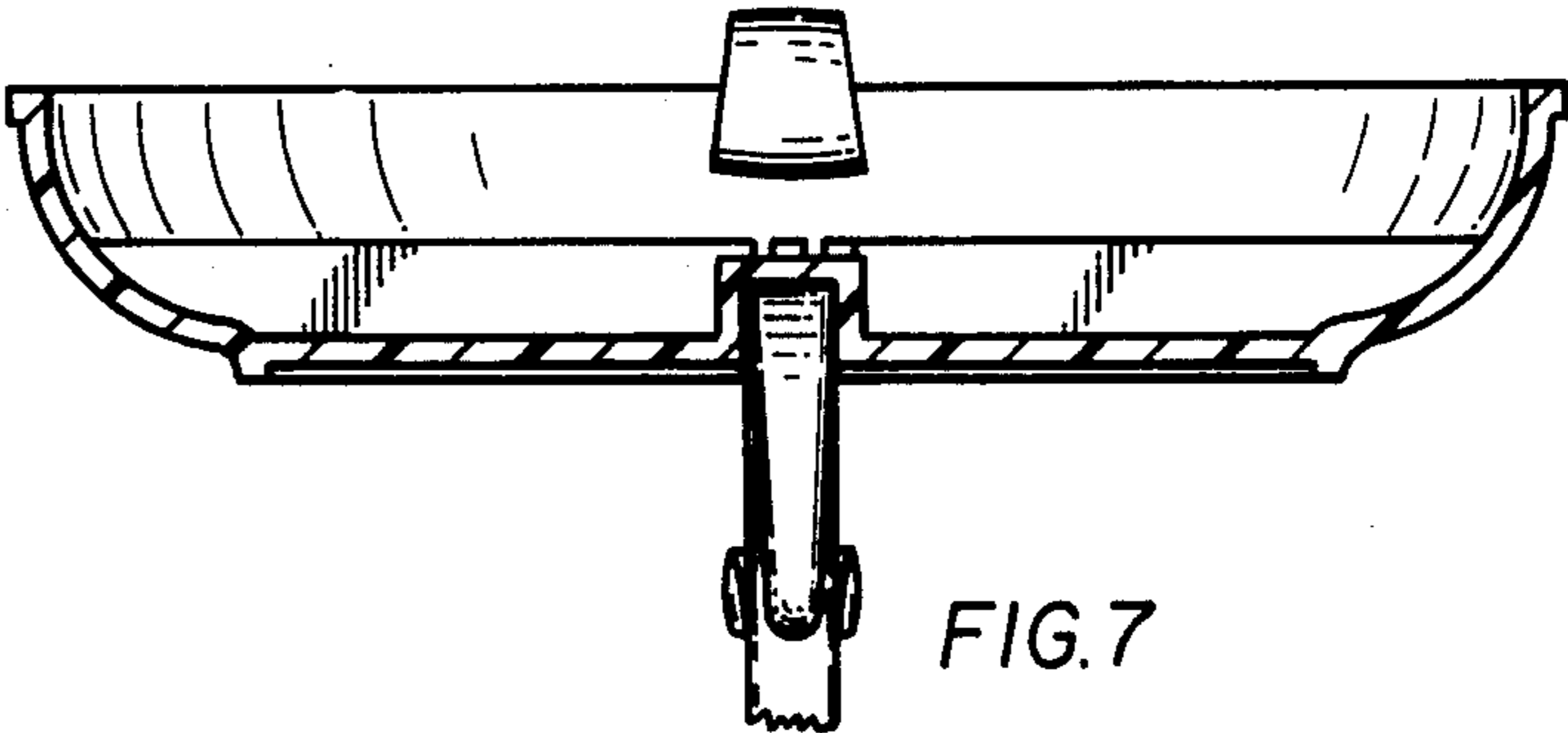


FIG. 7