

[54] HOCKEY FACE MASK  
[76] Inventor: Edward Quan, 228 Berkshire Lane, Stockton, Calif. 95207

3,263,236 8/1966 Humphrey ..... 2/9  
3,897,597 8/1975 Kasper ..... 2/9  
4,021,858 5/1977 Neeld et al. .... 2/9

[\*\*] Term: 14 Years

Primary Examiner—Melvin B. Feifer  
Attorney, Agent, or Firm—Stephen S. Townsend

[21] Appl. No.: 691,128

[57] CLAIM

[22] Filed: May 28, 1976

The ornamental design for a hockey face mask, as shown.

[51] Int. Cl. .... D2—03

DESCRIPTION

[52] U.S. Cl. .... D2/233

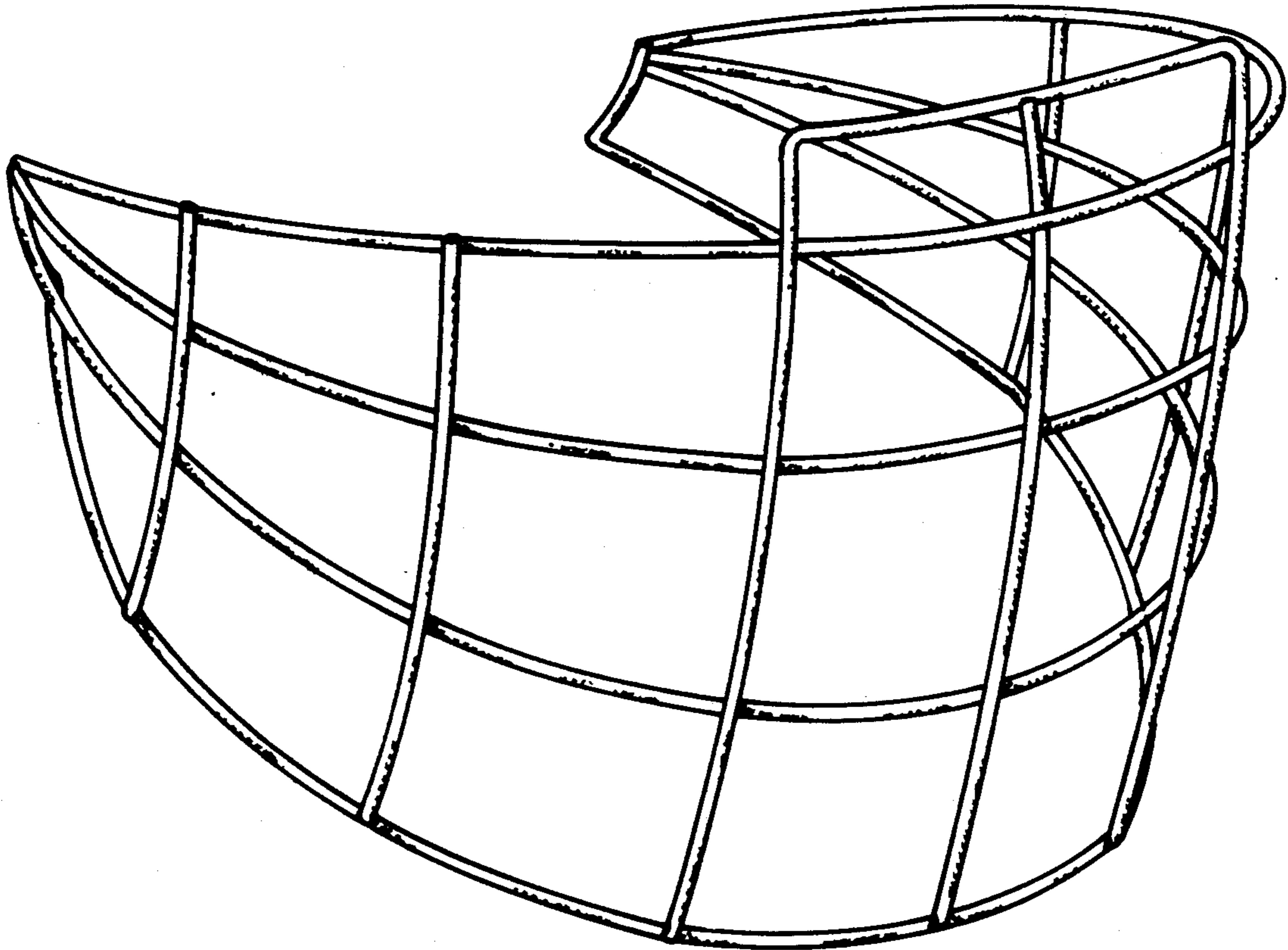
[58] Field of Search ..... D2/233, 232; 2/9

FIG. 1 is a perspective view of a hockey face mask showing my new design;  
FIG. 2 is a top plan view thereof;  
FIG. 3 is a front view thereof;  
FIG. 4 is a side view thereof;  
FIG. 5 is a bottom plan view thereof;  
FIG. 6 is a back view thereof.

[56] References Cited

U.S. PATENT DOCUMENTS

D. 204,927 5/1966 Dunning ..... D2/233  
2,395,078 2/1946 Sowle ..... 2/9



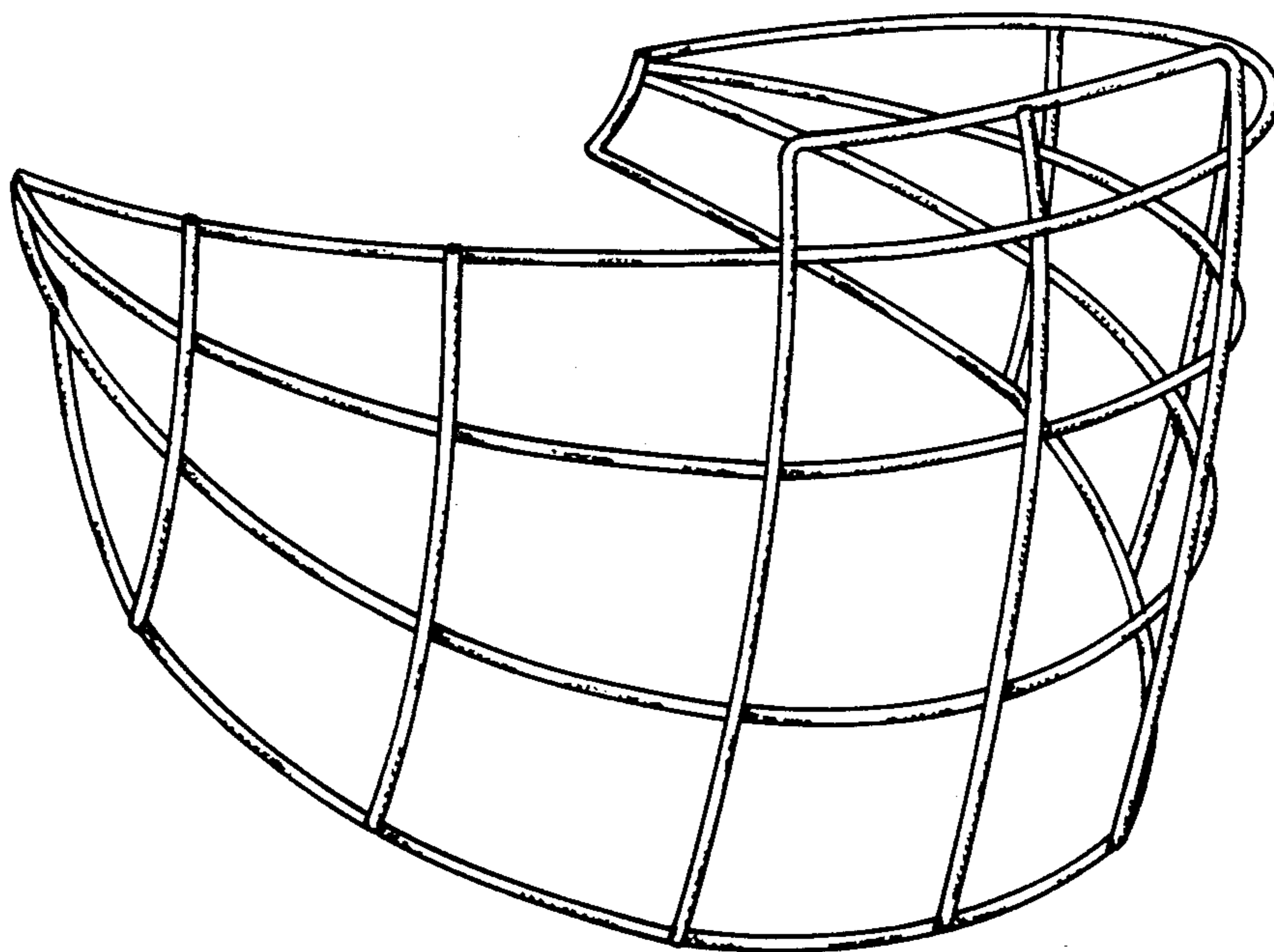


FIG \_ 1

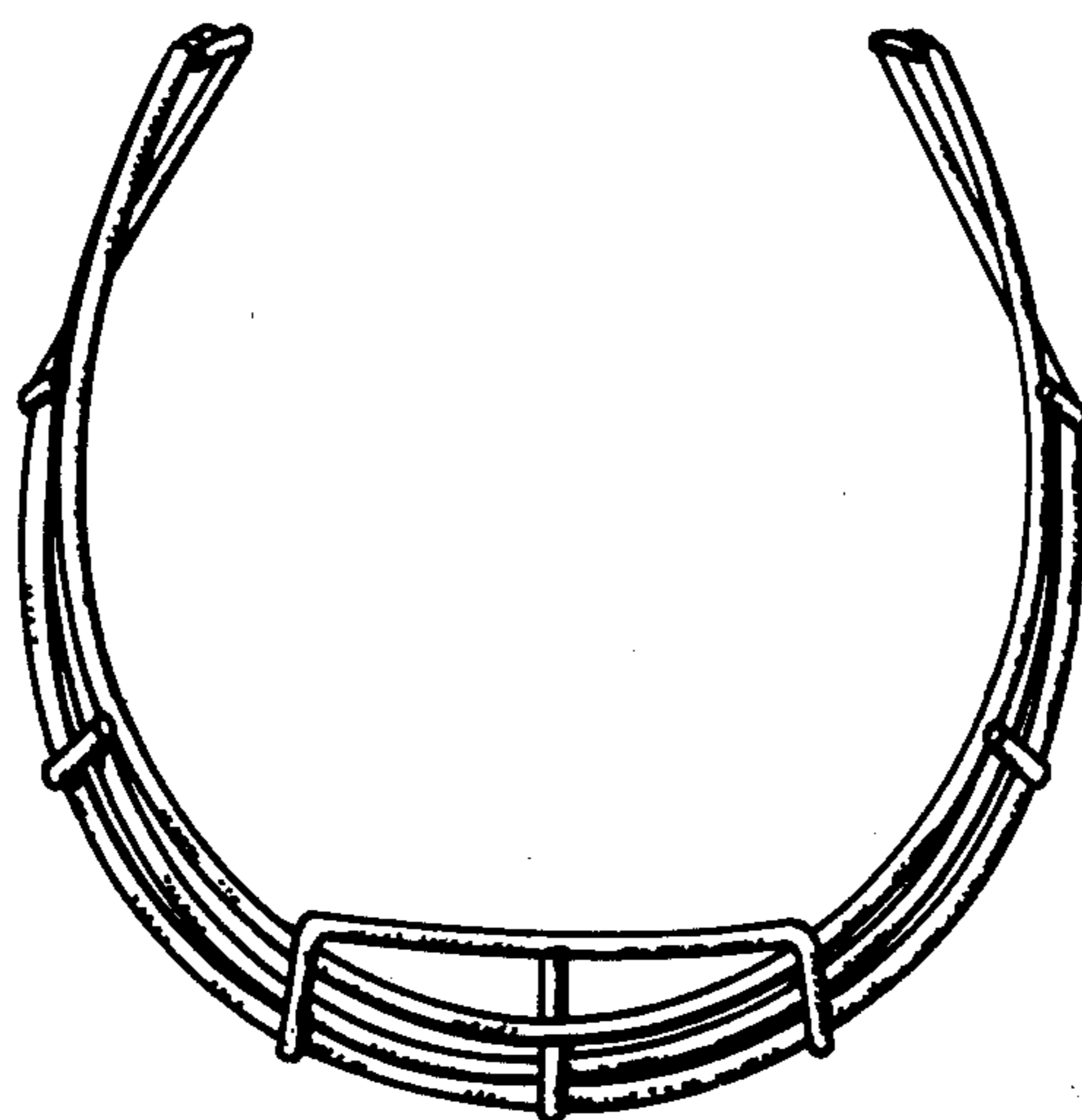


FIG \_ 2

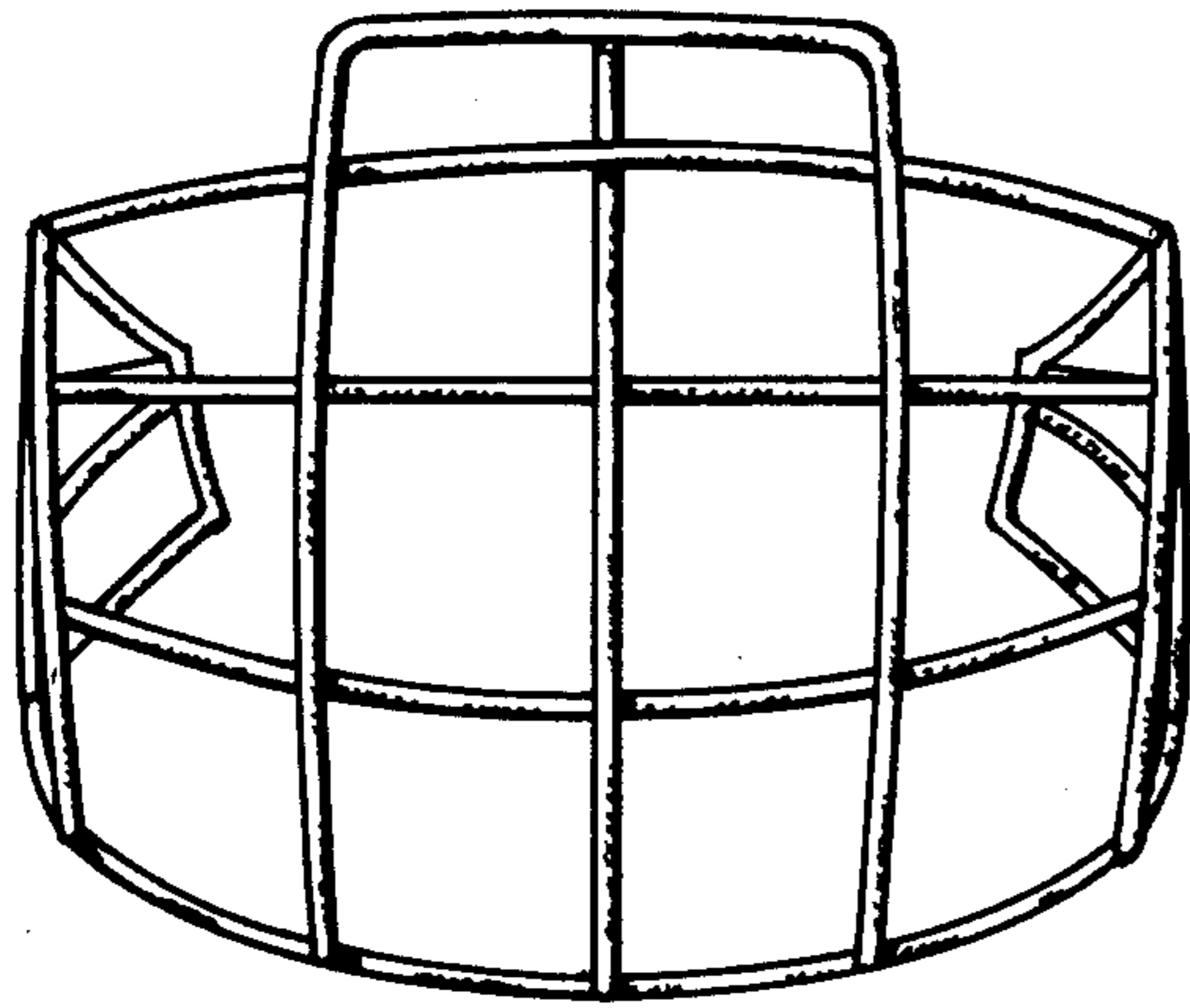


FIG \_ 3

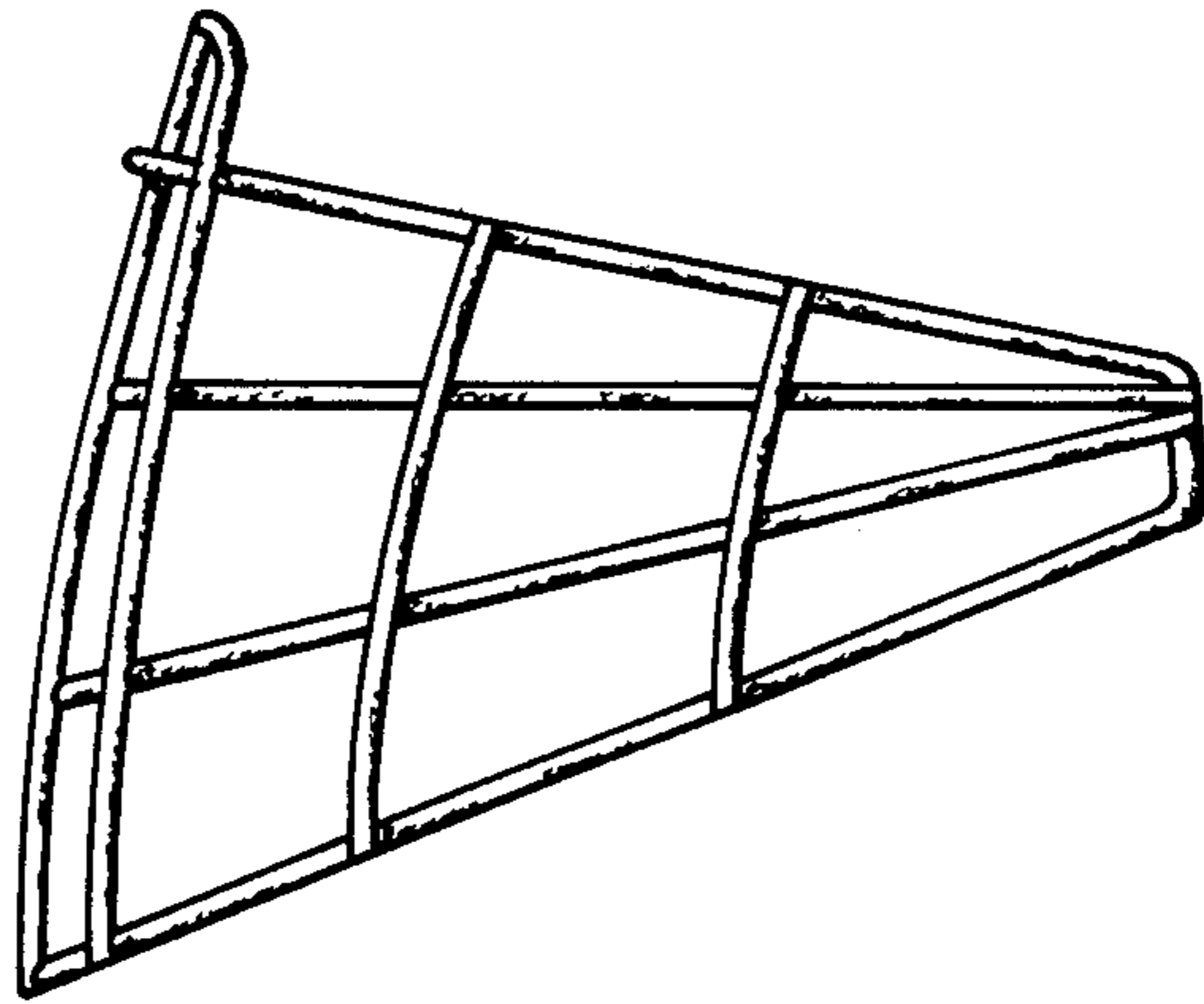


FIG \_ 4

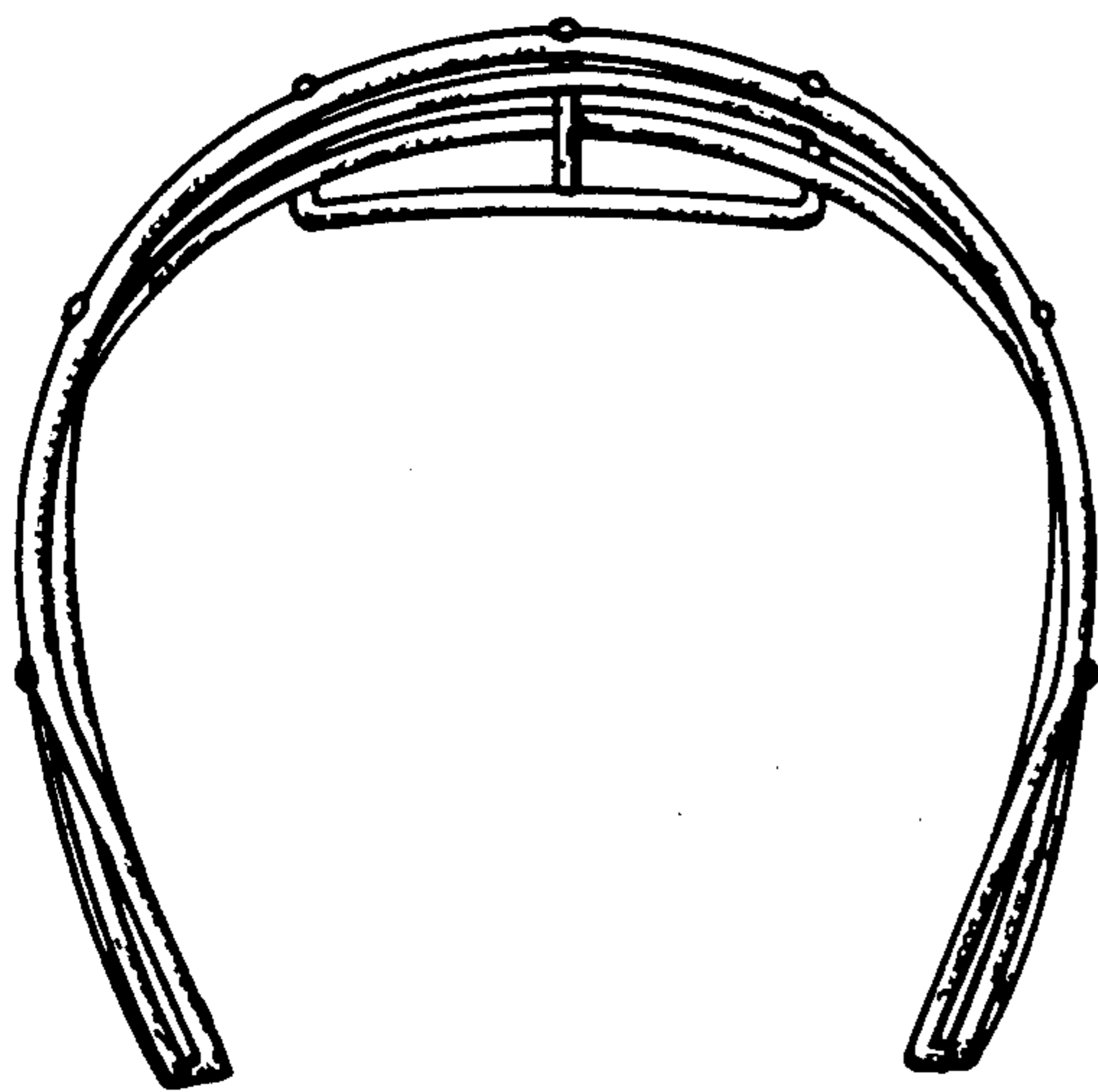


FIG \_ 5

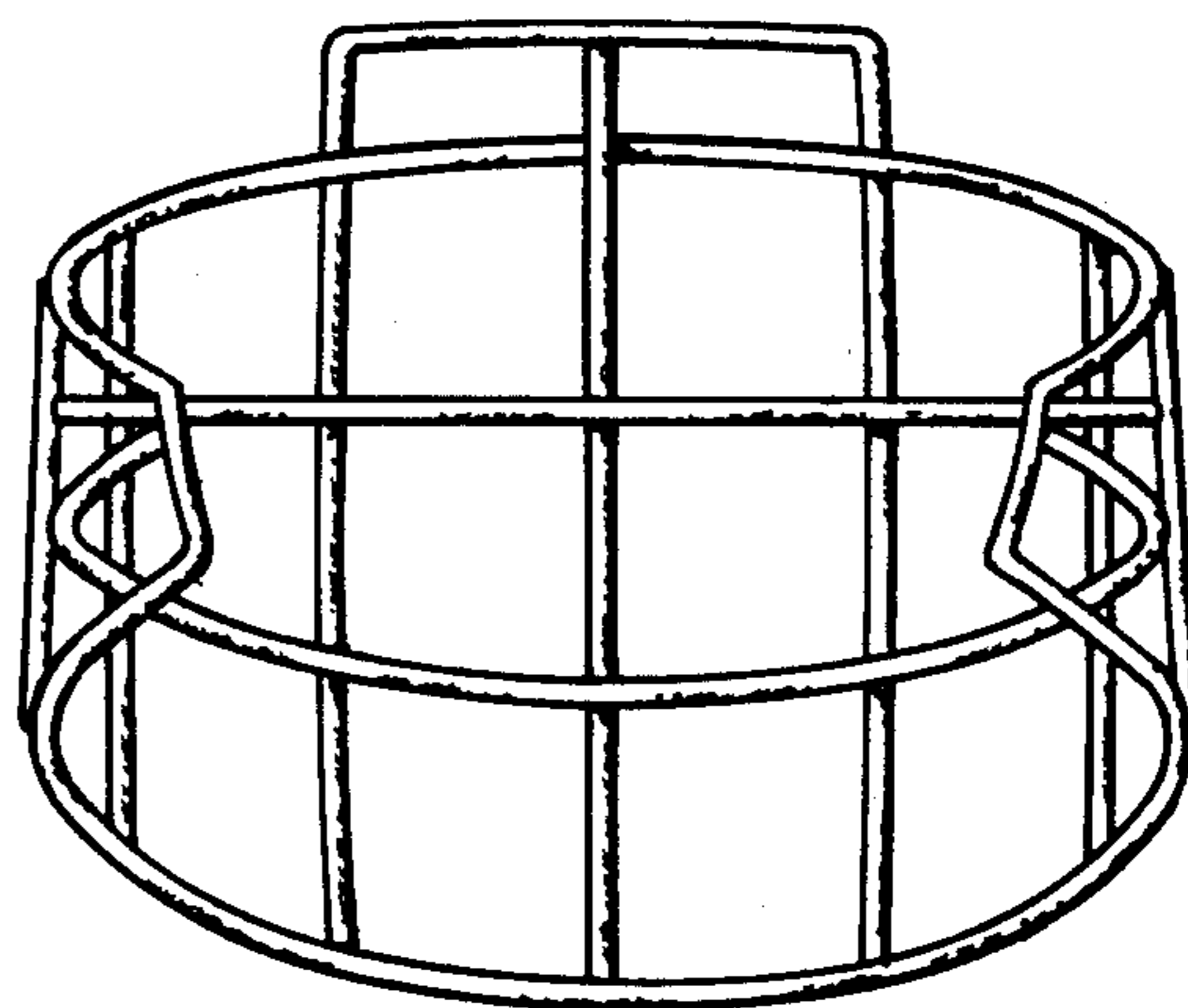


FIG \_ 6