

[54] COMBINED ORGANIZER FILE AND STORAGE UNIT FOR A VEHICLE SEAT

[75] Inventor: Charles W. Tracy, Tallahassee, Fla.

[73] Assignee: Sargent-Sowell, Inc., Grand Prairie, Tex.

[**] Term: 14 Years

[21] Appl. No.: 750,085

[22] Filed: Dec. 13, 1976

Related U.S. Application Data

[62] Division of Ser. No. 476,003, June 3, 1974, Pat. No. 243,974.

[51] Int. Cl. D3-99

[52] U.S. Cl. D87/1 R

[58] Field of Search D87/1 R; D12/157, 155; D6/85, 86, 89, 130, 199, 113; 224/29 D, 42.42 A, 42.45 B, 42.46 B; 211/88

[56] References Cited

U.S. PATENT DOCUMENTS

D. 153,348	4/1949	Gainsbro	D6/199
2,645,392	7/1953	Gottsegen et al.	224/42.45 B
2,697,479	12/1954	Fesler	224/42.45 B
3,526,314	9/1970	Trammell, Jr.	224/42.42 A
3,684,102	8/1972	Colter	211/88
3,756,481	9/1973	Schaefer	224/42.42 A

Primary Examiner—Joel Stearman
Assistant Examiner—George P. Word
Attorney, Agent, or Firm—George M. Cooper

[57] CLAIM

The ornamental design for a combined organizer file and storage unit for a vehicle seat, as shown and described.

DESCRIPTION

FIG. 1 is a perspective view, of a combined organizer file and storage unit for a vehicle seat for vehicles, showing my new design;
FIG. 2 is a top plan view thereof;
FIG. 3 is a bottom plan view;
FIG. 4 is a front elevational view;
FIG. 5 is a right side elevational view;
FIG. 6 is a rear elevational view; and
FIG. 7 is a left side elevational view.

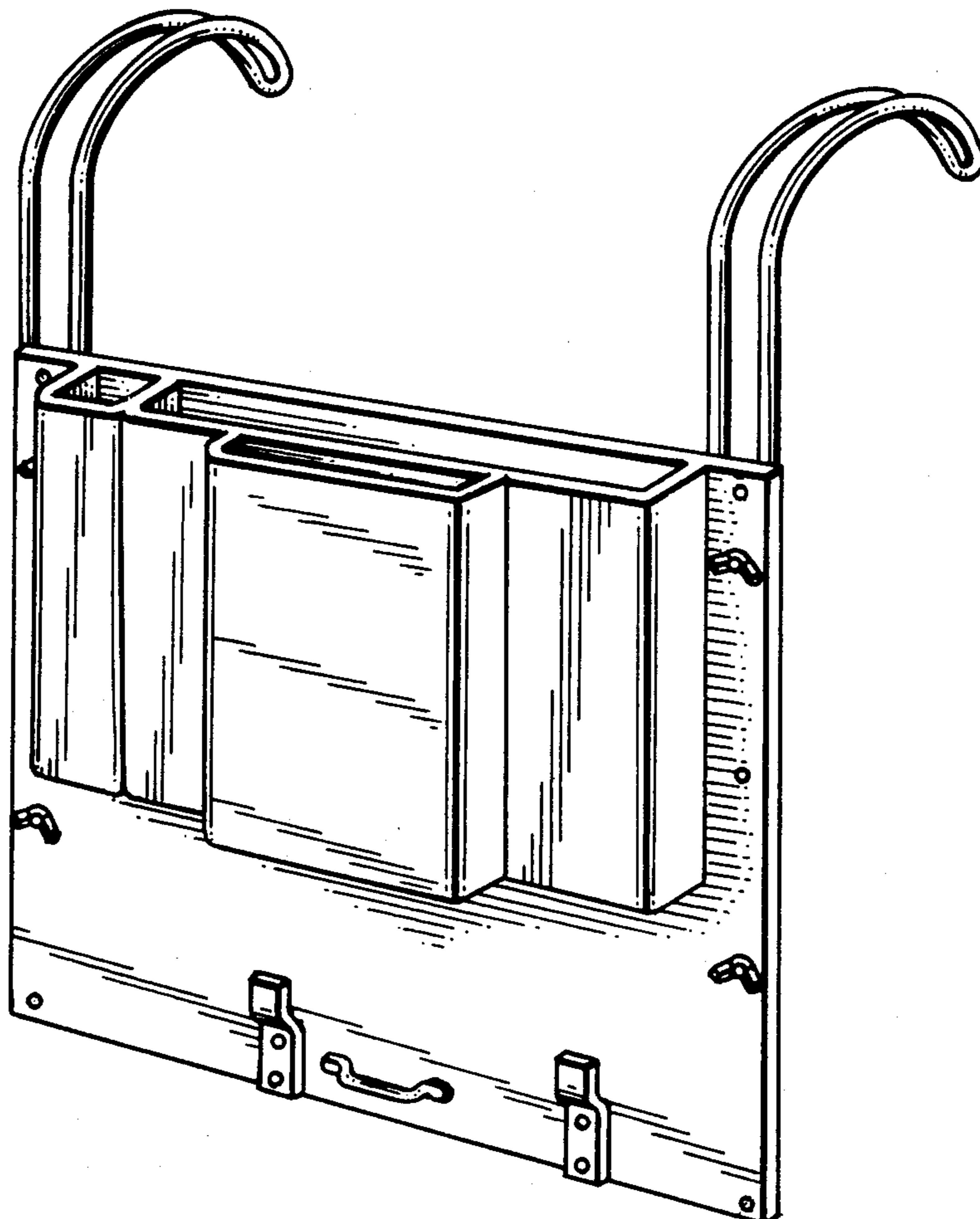


FIG. 1

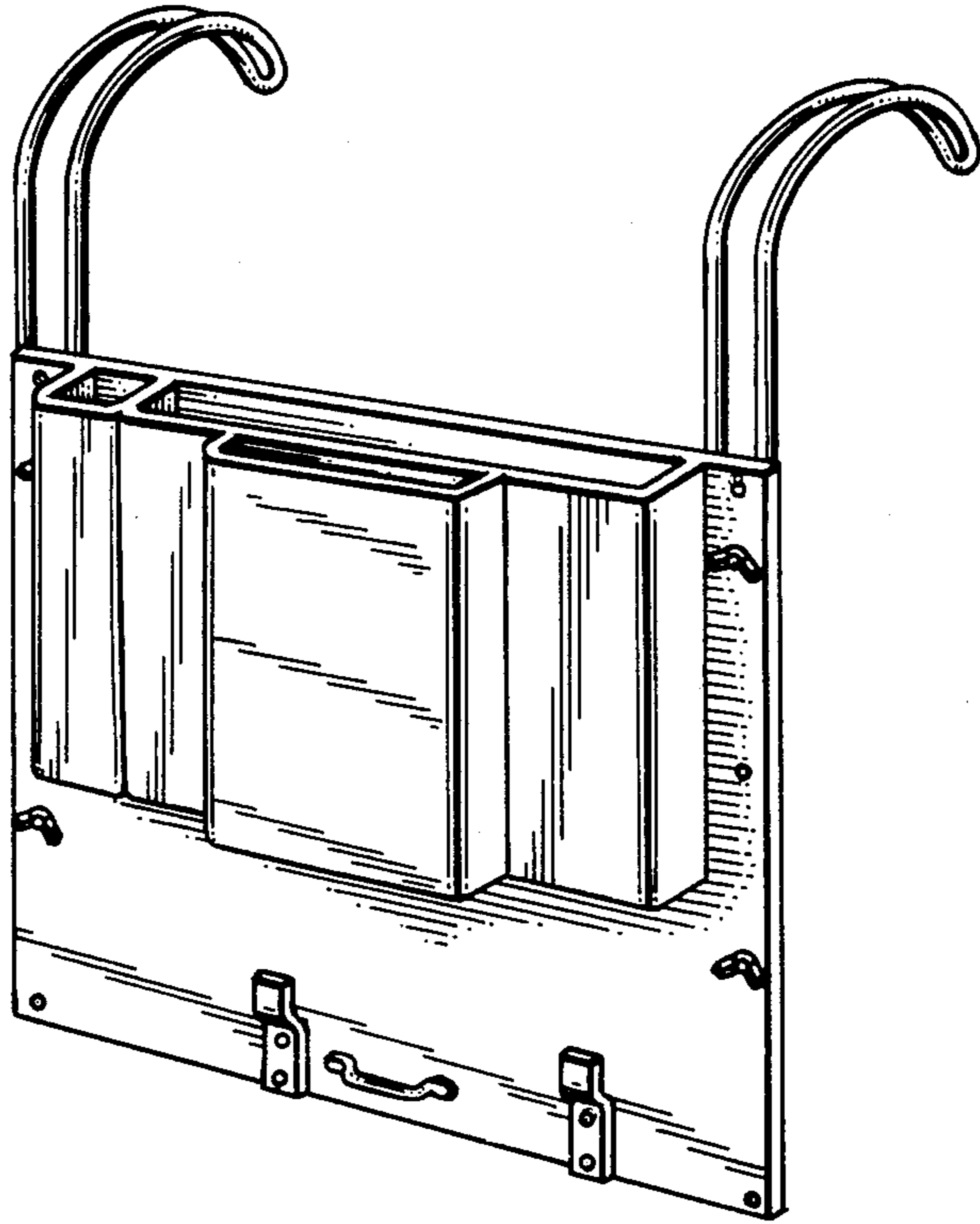


FIG. 2

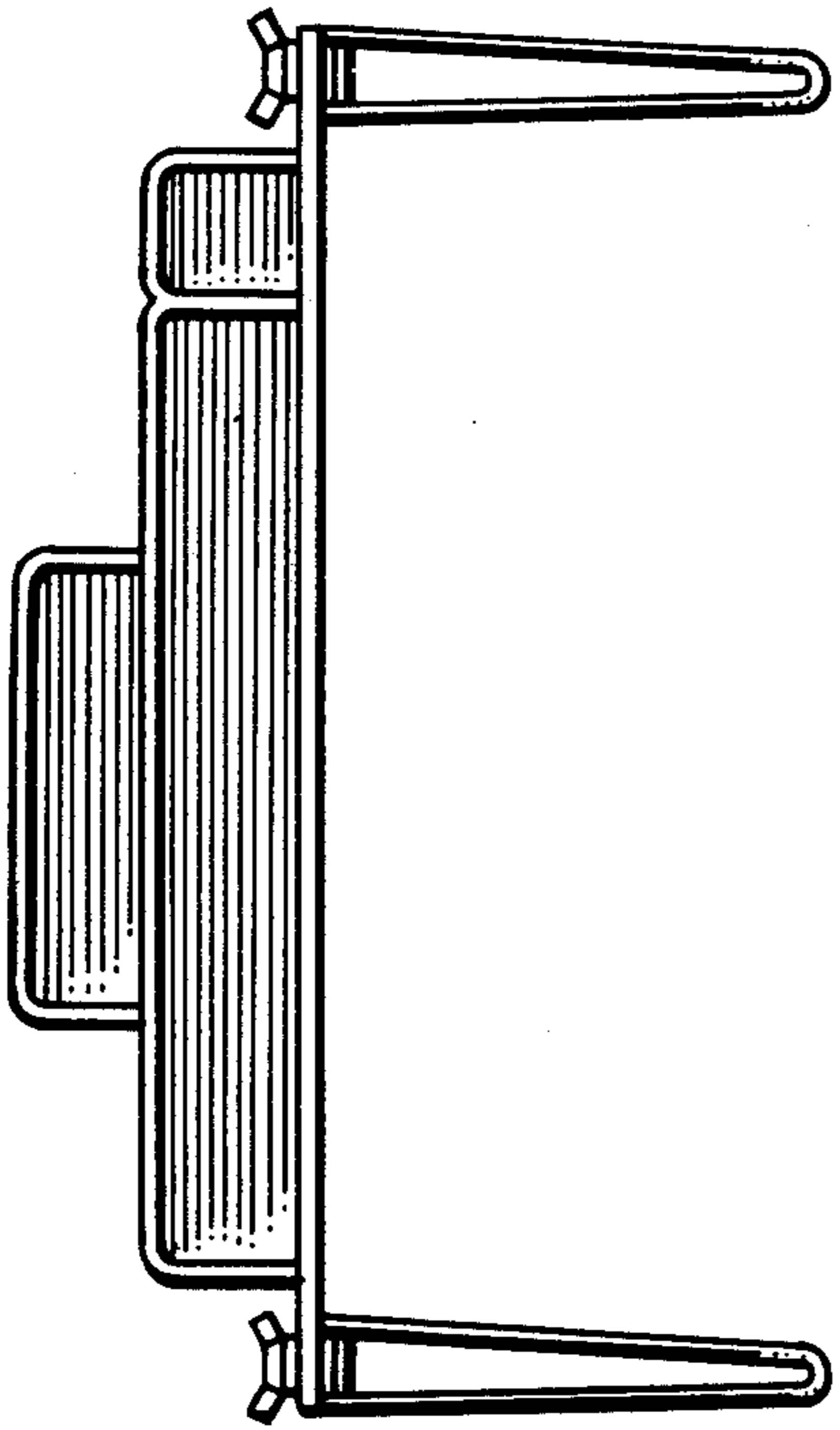
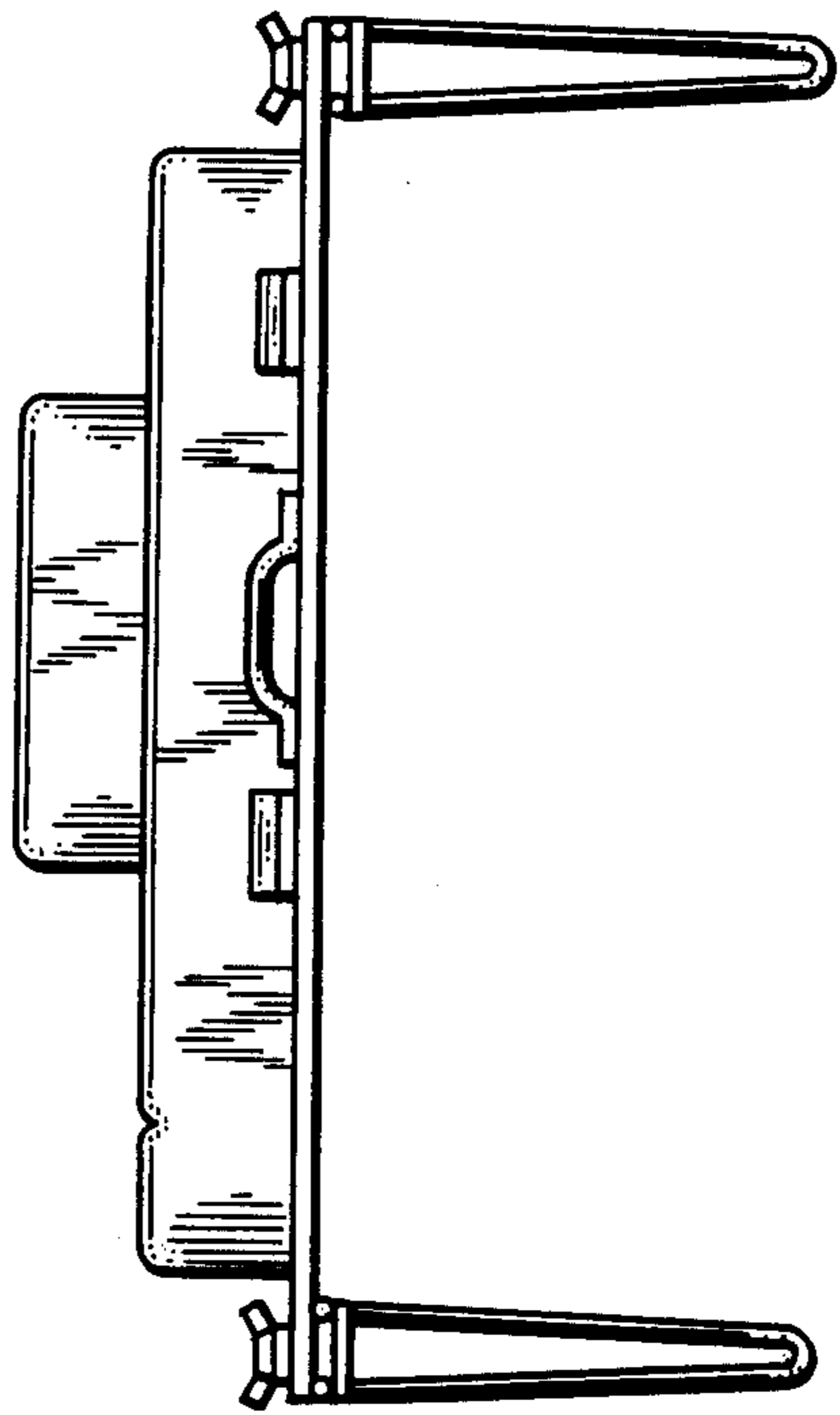


FIG. 3



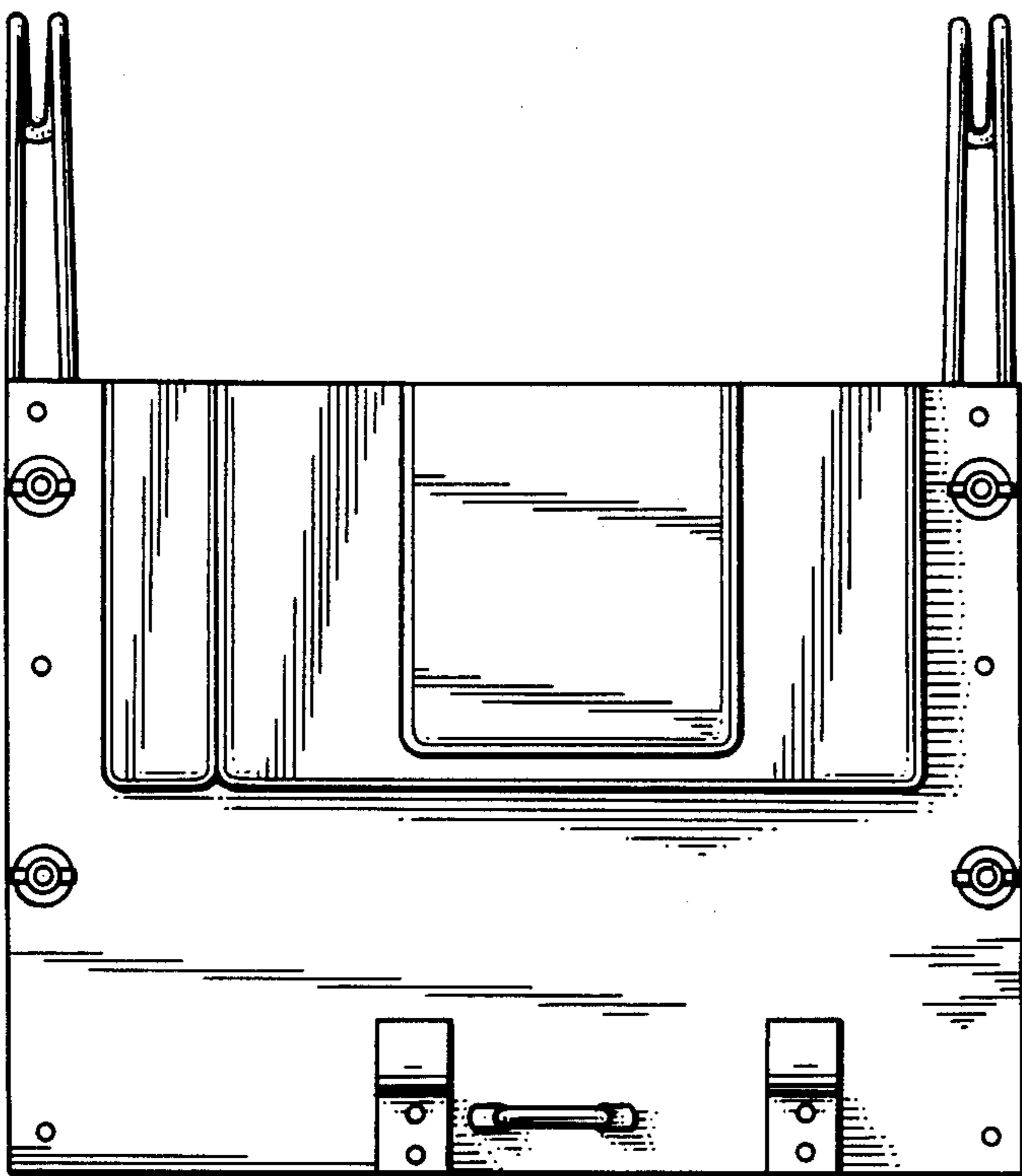


FIG. 4

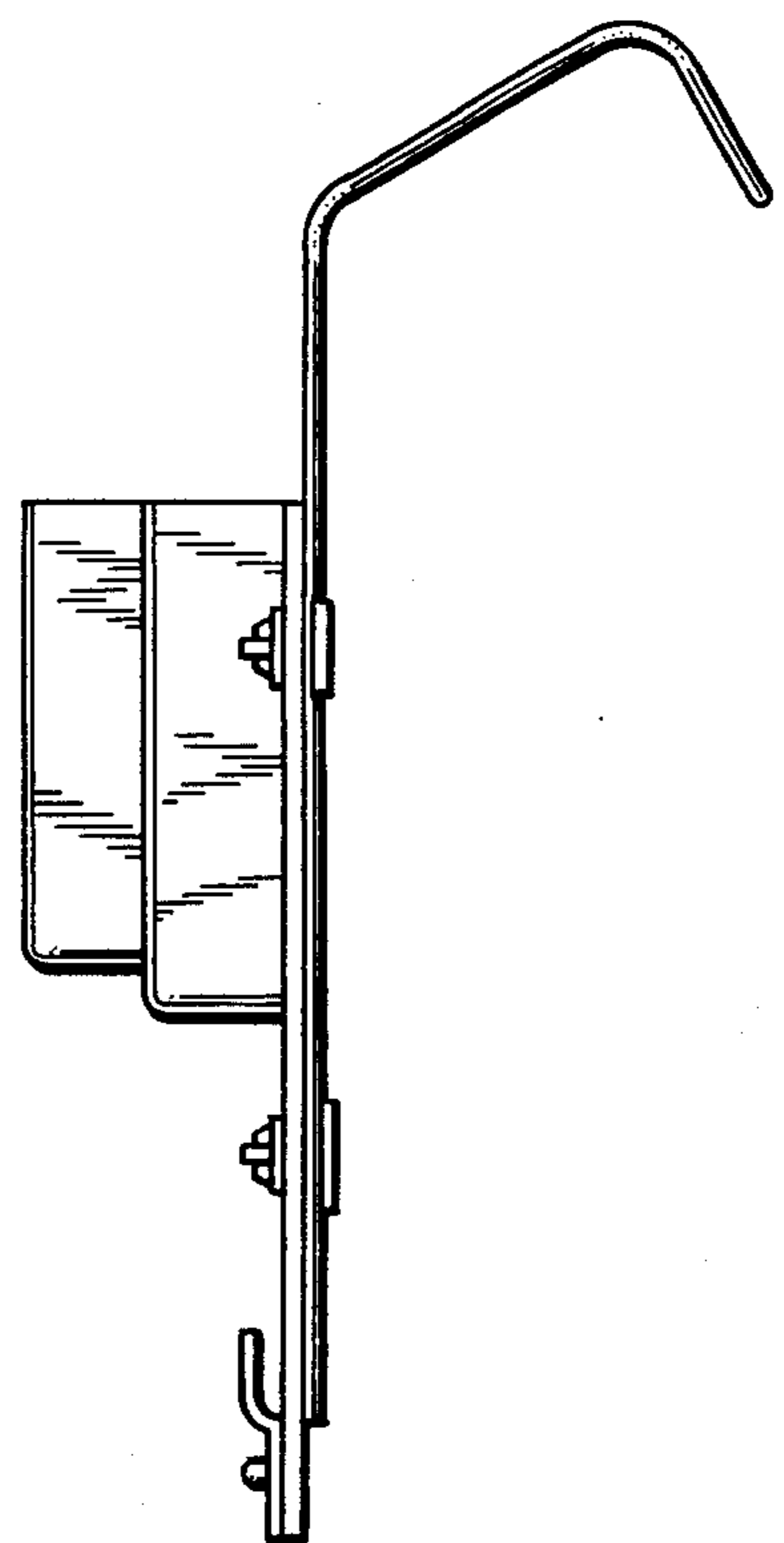


FIG. 5

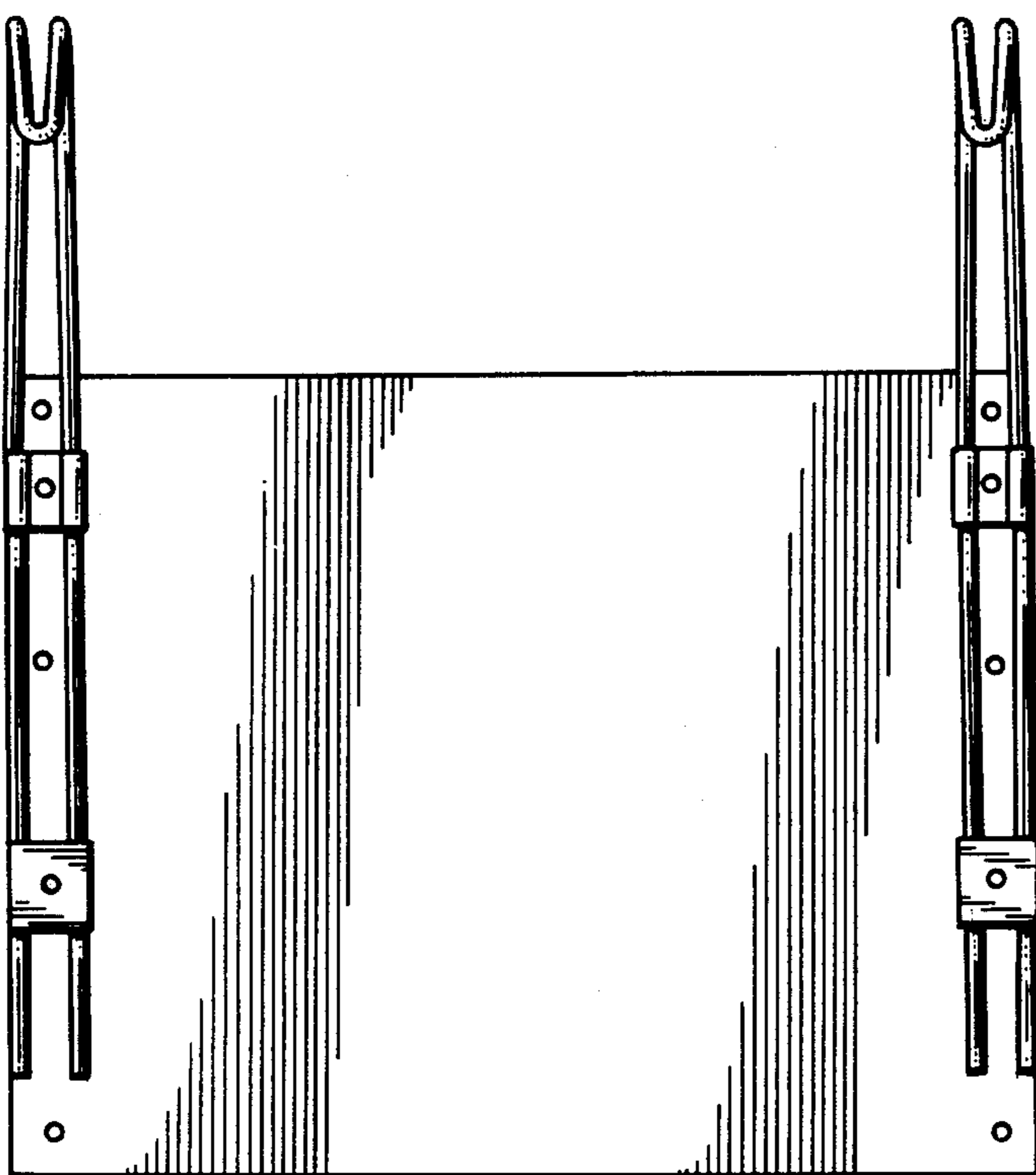


FIG. 6

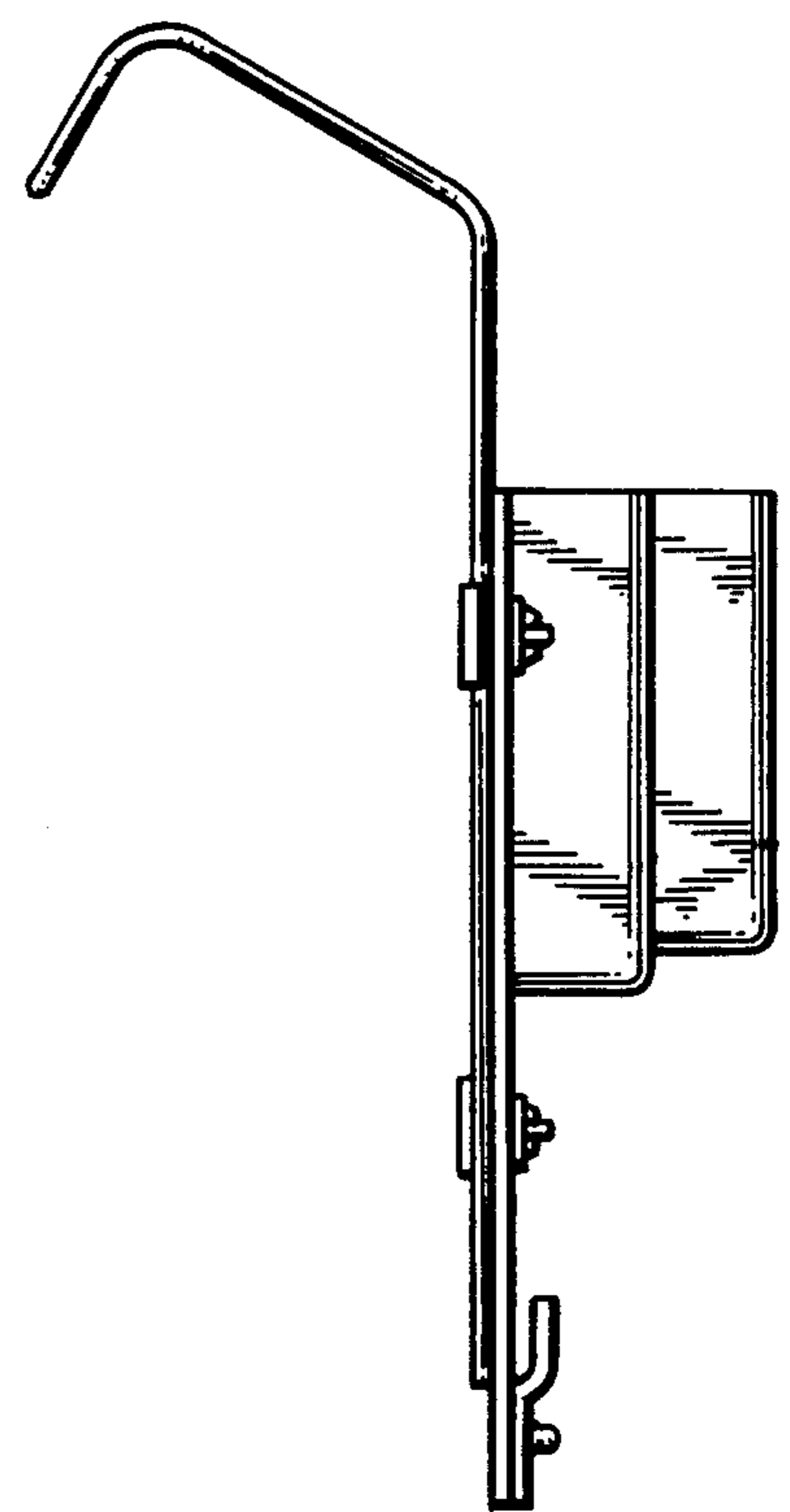


FIG. 7