

[54] RIBBON CARTRIDGE

[75] Inventor: Richard D. Trezise, San Jose, Calif.

[73] Assignee: Xerox Corporation, Stamford, Conn.

[\*\*] Term: 14 Years

[21] Appl. No.: 700,416

[22] Filed: June 28, 1976

[51] Int. Cl. .... D18-01

[52] U.S. Cl. .... D64/11A

[58] Field of Search ..... D64/11 A; 197/151, 153, 197/157, 158, 168, 171, 159; 101/336; 242/55.19 A, 197, 198, 199, 200; 352/72, 78; D14/11

[56] References Cited

U.S. PATENT DOCUMENTS

D. 231,800 6/1974 Hess ..... D64/11 A

D. 237,010	9/1975	Gnutzman et al. ....	D64/11 A
D. 244,965	7/1977	Trezise et al. ....	D64/11 A
3,918,569	11/1975	Parker .....	197/168
3,993,182	11/1976	Steinke .....	197/168

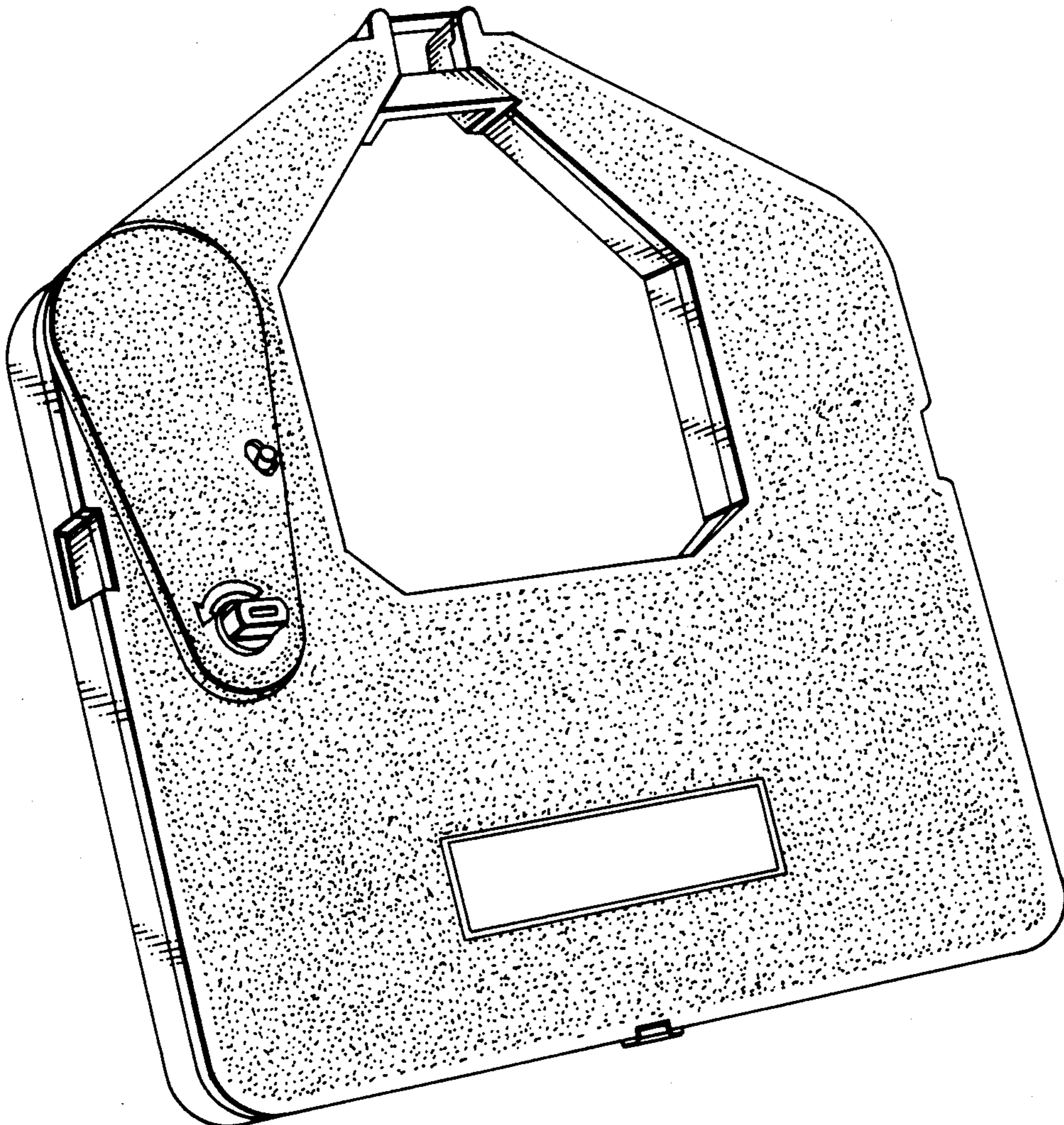
Primary Examiner—Wallace R. Burke  
Assistant Examiner—Catherine E. Kemper  
Attorney, Agent, or Firm—James J. Ralabate

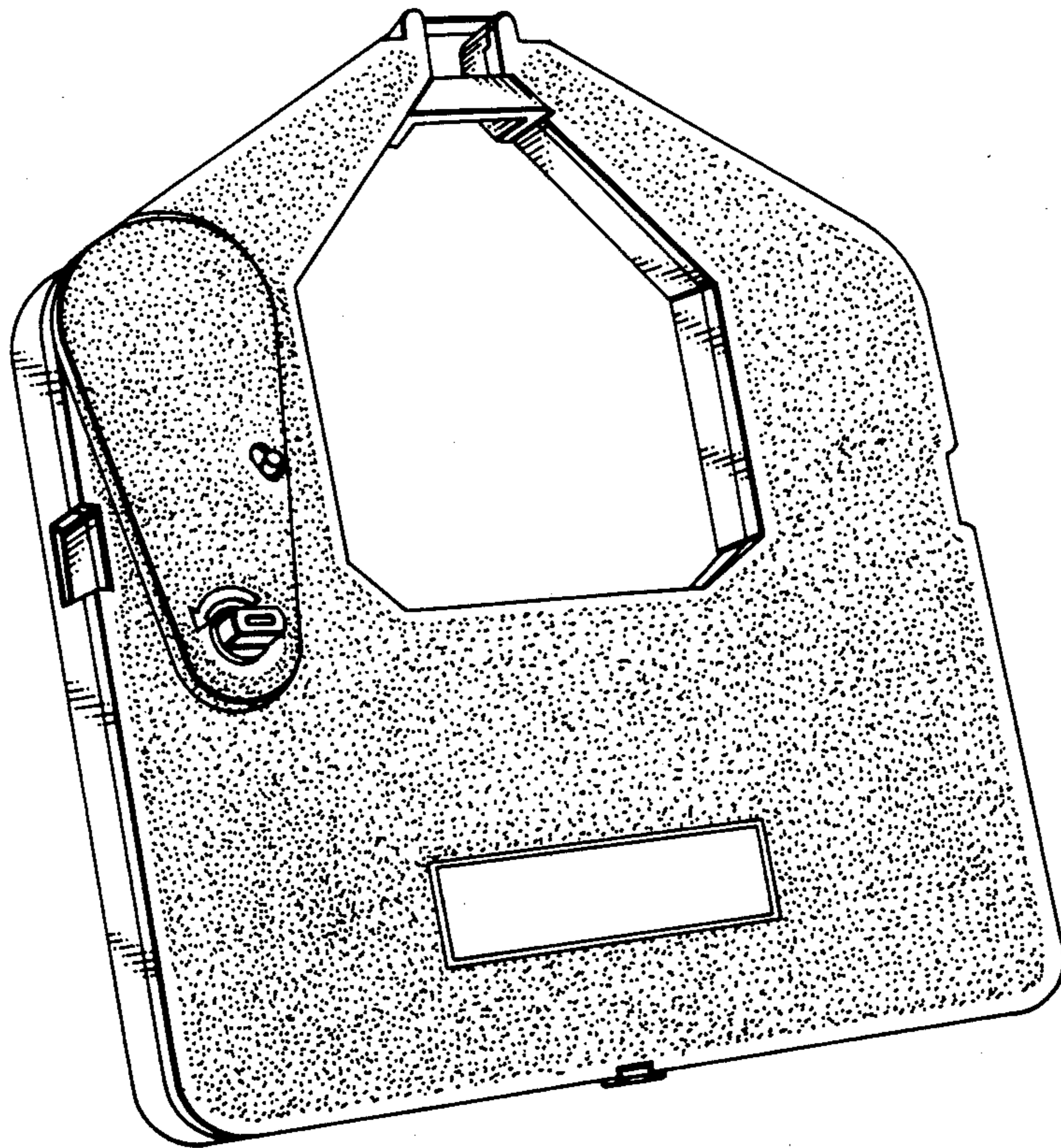
[57] CLAIM

The ornamental design for a ribbon cartridge, as shown.

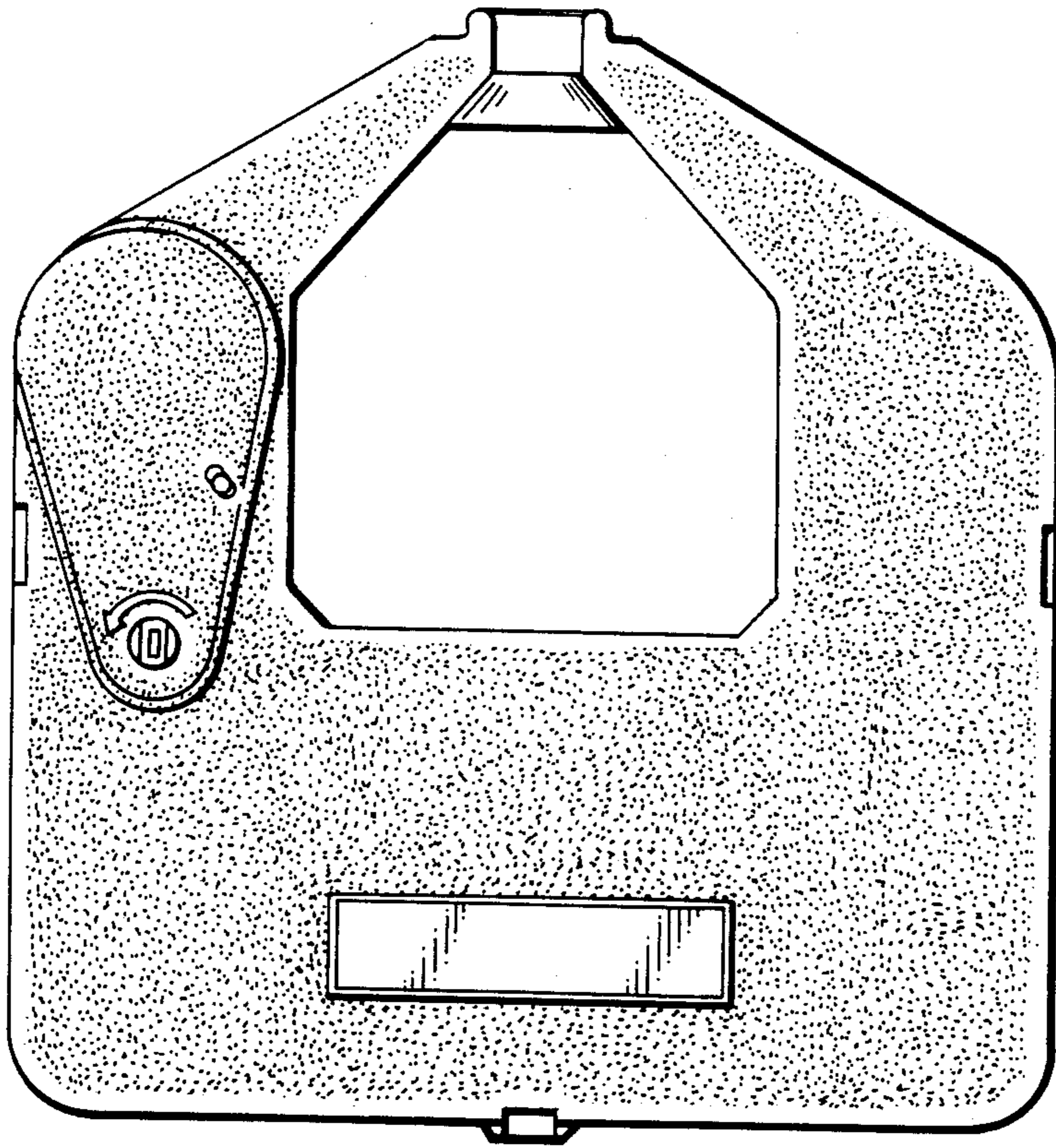
DESCRIPTION

FIG. 1 is a perspective view of a ribbon cartridge showing my new design;  
FIG. 2 is a top plan view thereof;  
FIG. 3 is an elevation view of the rear end thereof;  
FIG. 4 is a bottom plan view thereof;  
FIG. 5 is an elevation view of the front end thereof;  
FIG. 6 is an elevation view of one side thereof; and  
FIG. 7 is an elevation view of the side opposite that shown in FIG. 6.

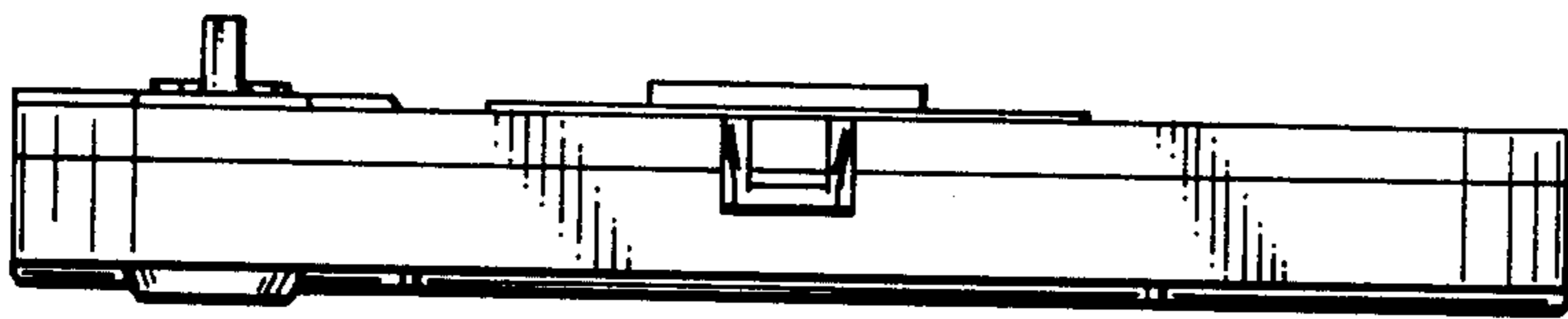




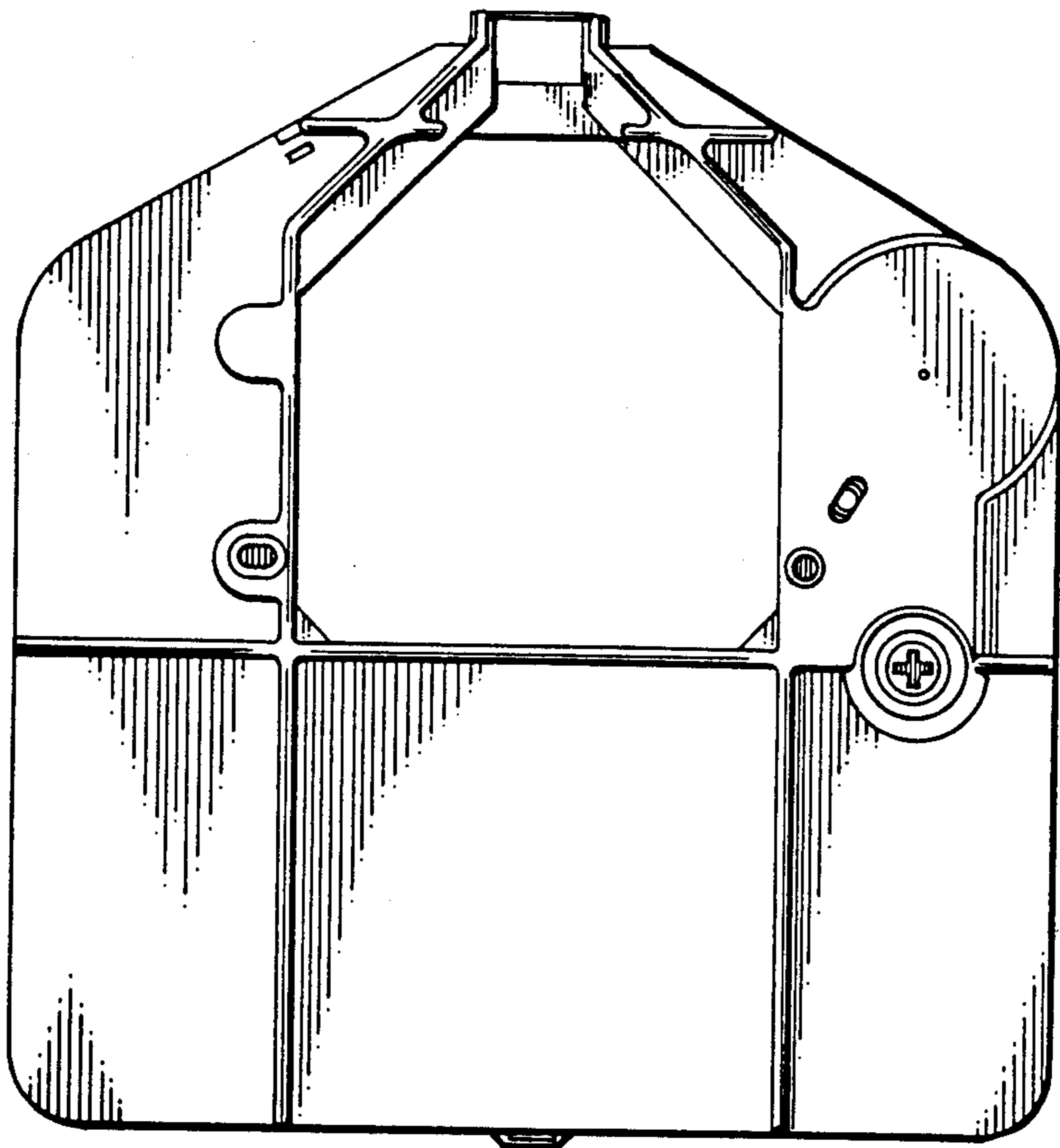
*FIG. 1*



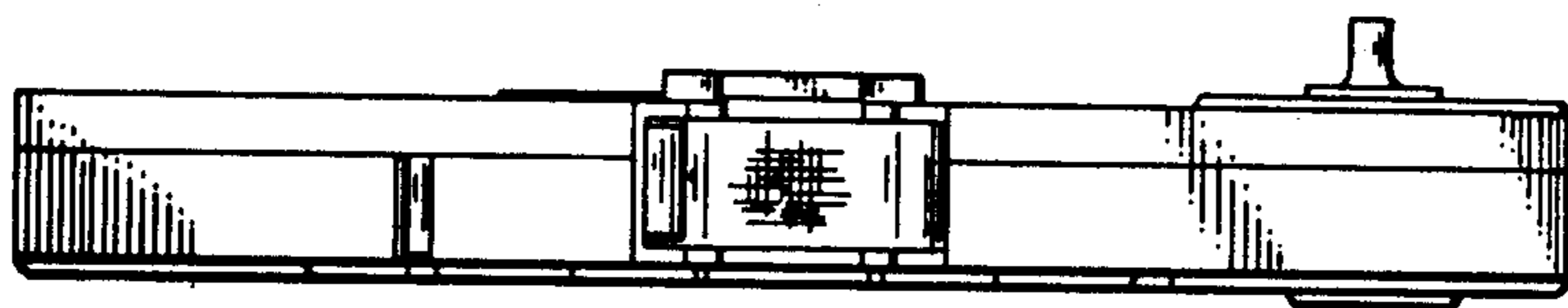
*FIG. 2*



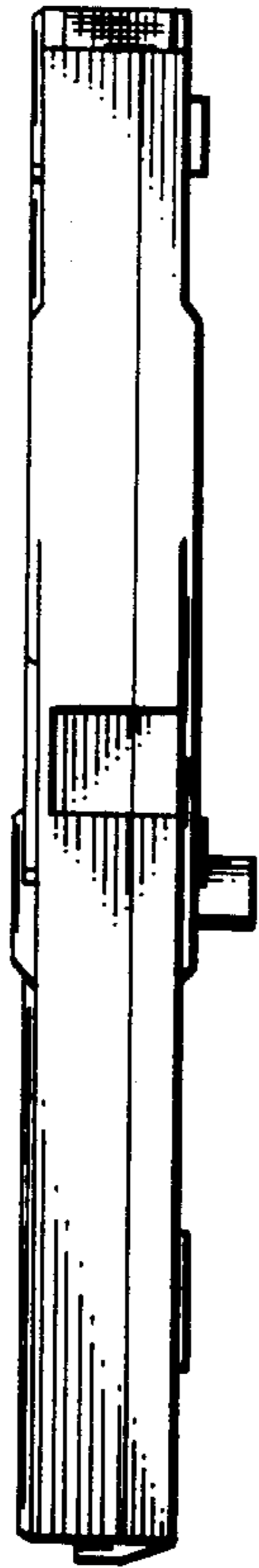
*FIG. 3*



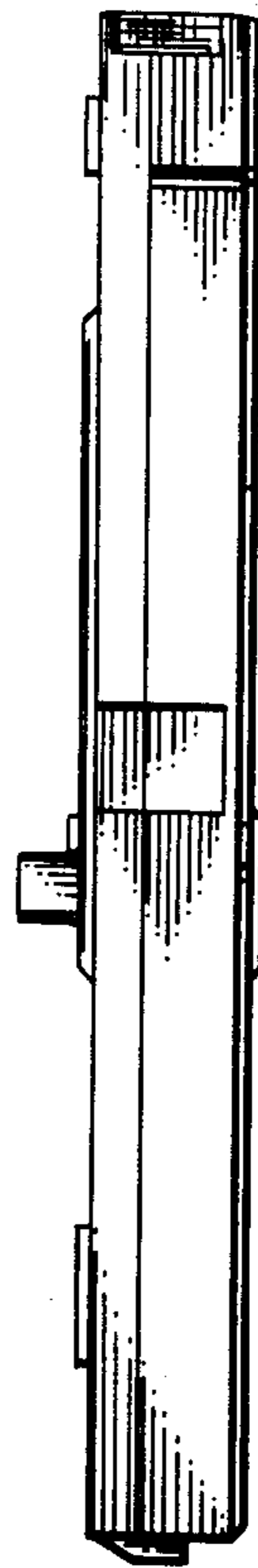
*FIG. 4*



*FIG. 5*



*FIG. 6*



*FIG. 7*