

[54] AUTOCLAVE

[75] Inventor: Danny M. Truette, Pineville, N.C.

[73] Assignee: The Pelton & Crane Company

[**] Term: 14 Years

[21] Appl. No.: 668,995

[22] Filed: Mar. 22, 1976

[51] Int. Cl. D24-01; D23-04

[52] U.S. Cl. D24/9

[58] Field of Search 21/98, 91, 94, 93, 92,
21/97, 96; D24/9

[56] References Cited

U.S. PATENT DOCUMENTS

D. 182,615	4/1958	Palma, Jr. et al.	D24/9
D. 197,162	12/1963	Storm	D24/9
D. 234,640	3/1975	Zagara	D24/9
3,347,619	10/1967	Vischer	21/94 X
3,351,422	11/1967	Jones et al.	21/98 X

OTHER PUBLICATIONS

Aloe Furniture and Equipment, No. 230, © 1966, p. 180, PK-OCR, Pelton Omni-Clave.

Primary Examiner—Bernard Ansher
Attorney, Agent, or Firm—David J. Mugford

[57] CLAIM

The ornamental design for an autoclave, as shown and described.

DESCRIPTION

FIG. 1 is a perspective view of an autoclave as viewed from the front showing my new design; FIG. 2 is a top plan view thereof; FIG. 3 is a front elevational view thereof; FIG. 4 is a rear elevational view thereof; FIG. 5 is a bottom plan view thereof; FIG. 6 is a right side elevational view thereof; FIG. 7 is a left side elevational view thereof; and FIG. 8 is a front perspective view thereof in load position.

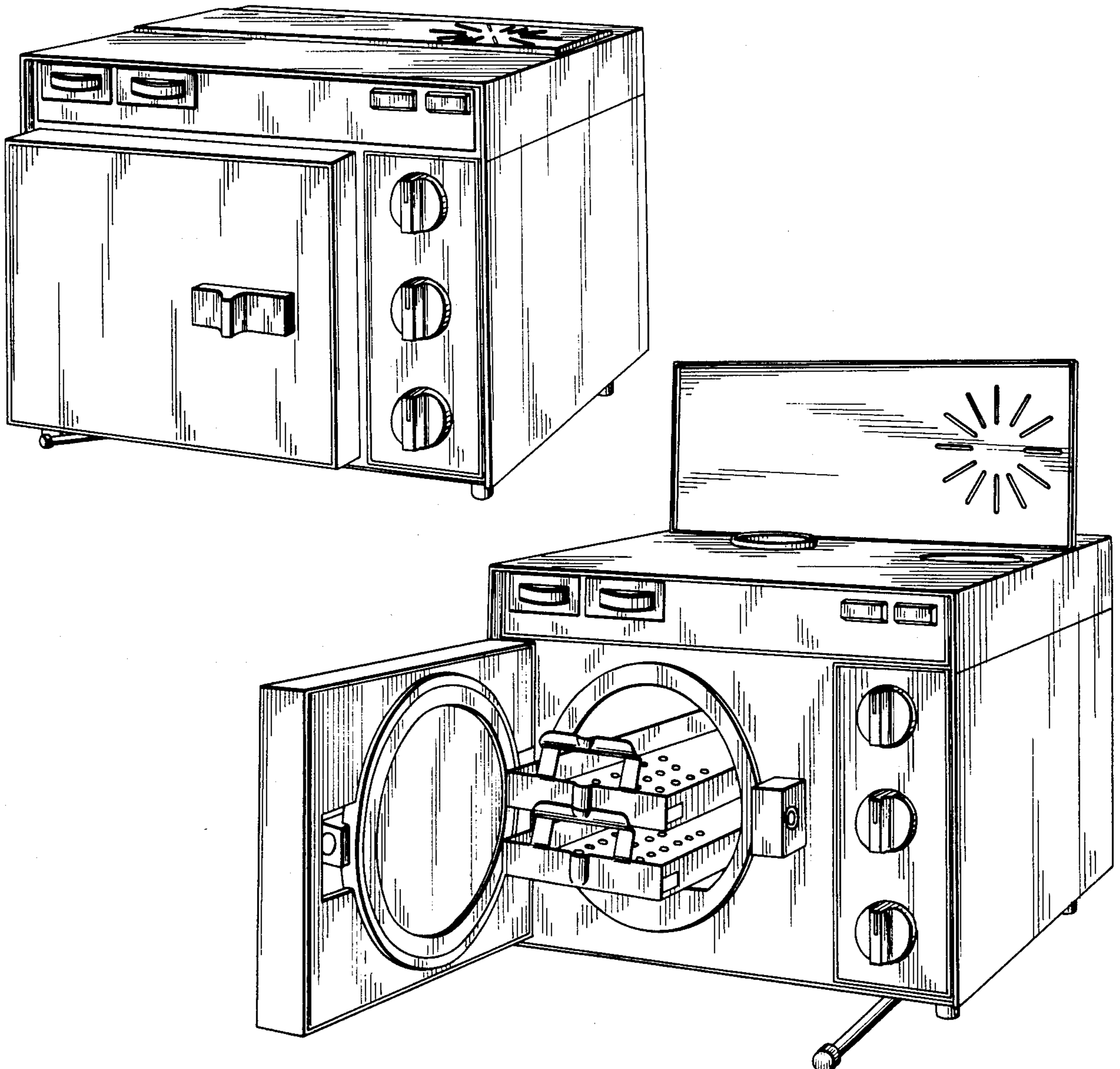


Fig. 1.

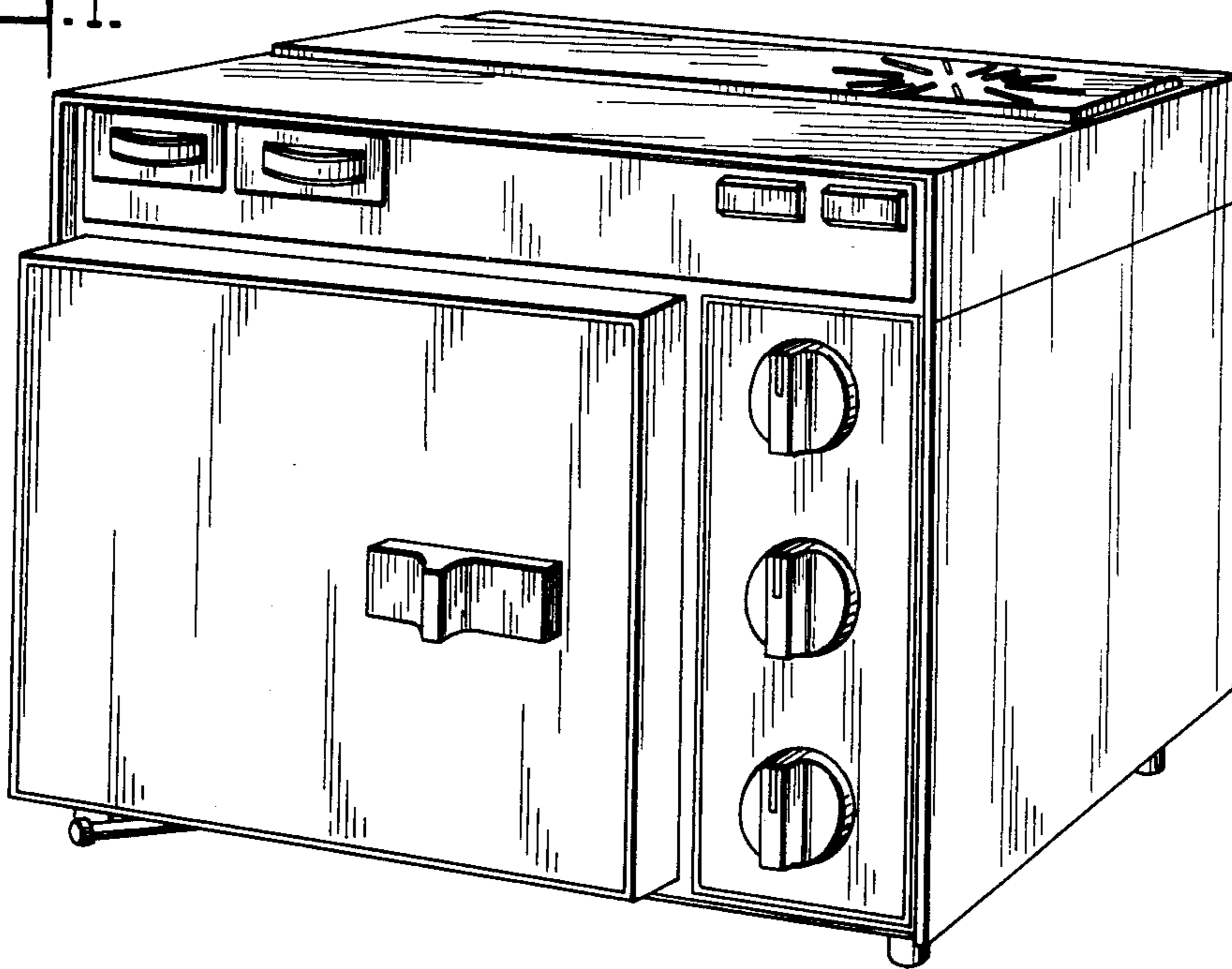


Fig. 8.

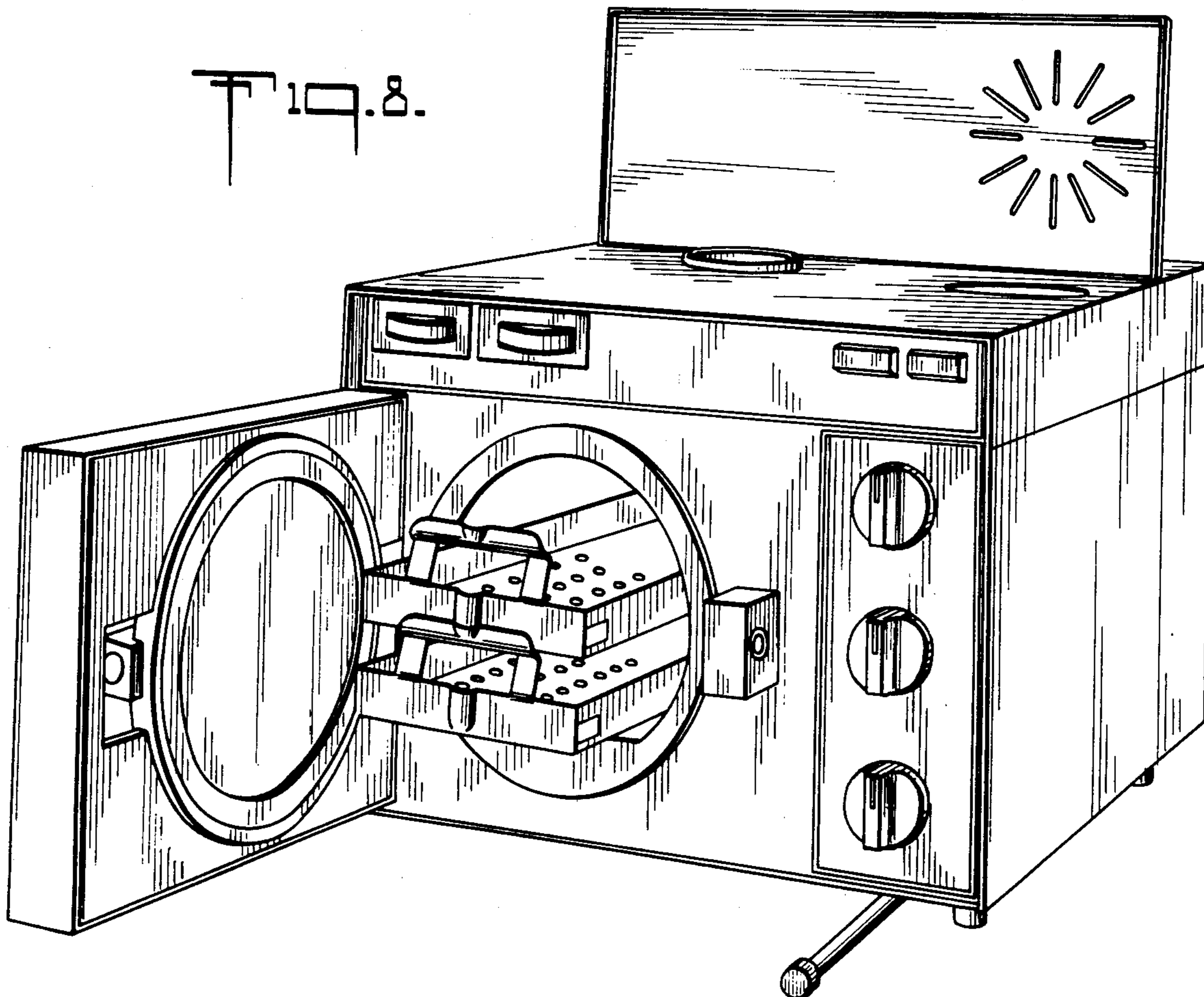


Fig. 2.

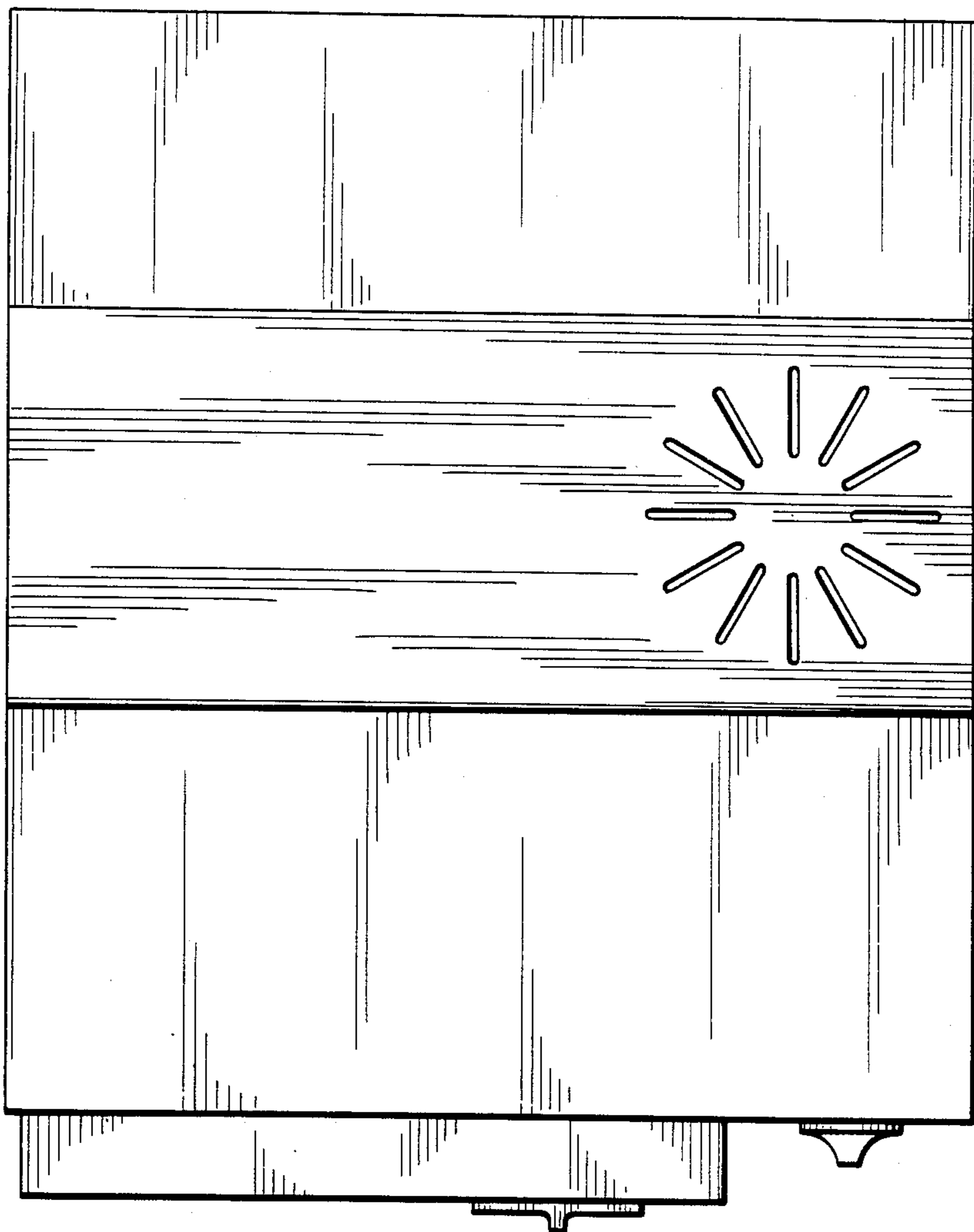


Fig. 3.

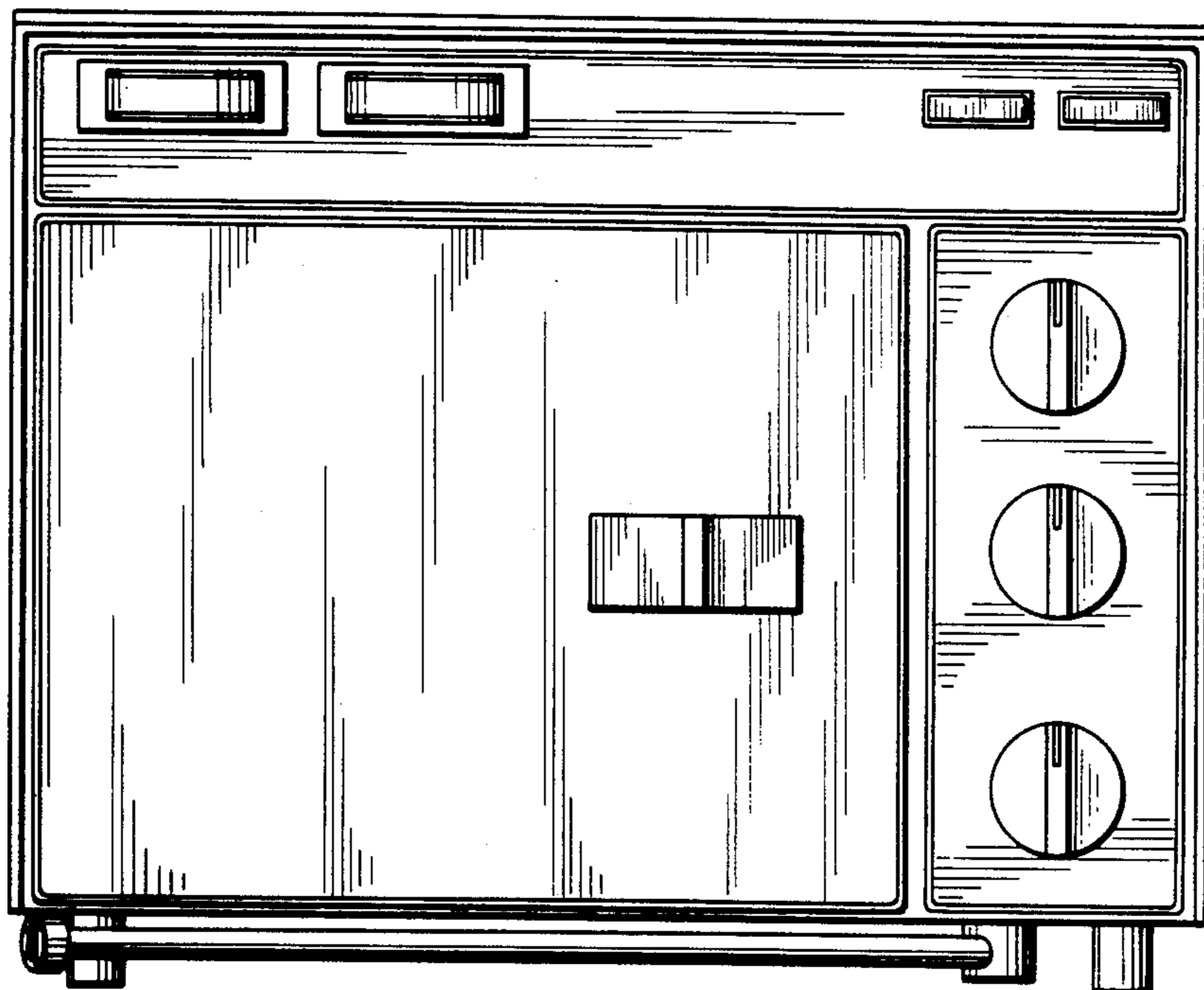


Fig. 4.

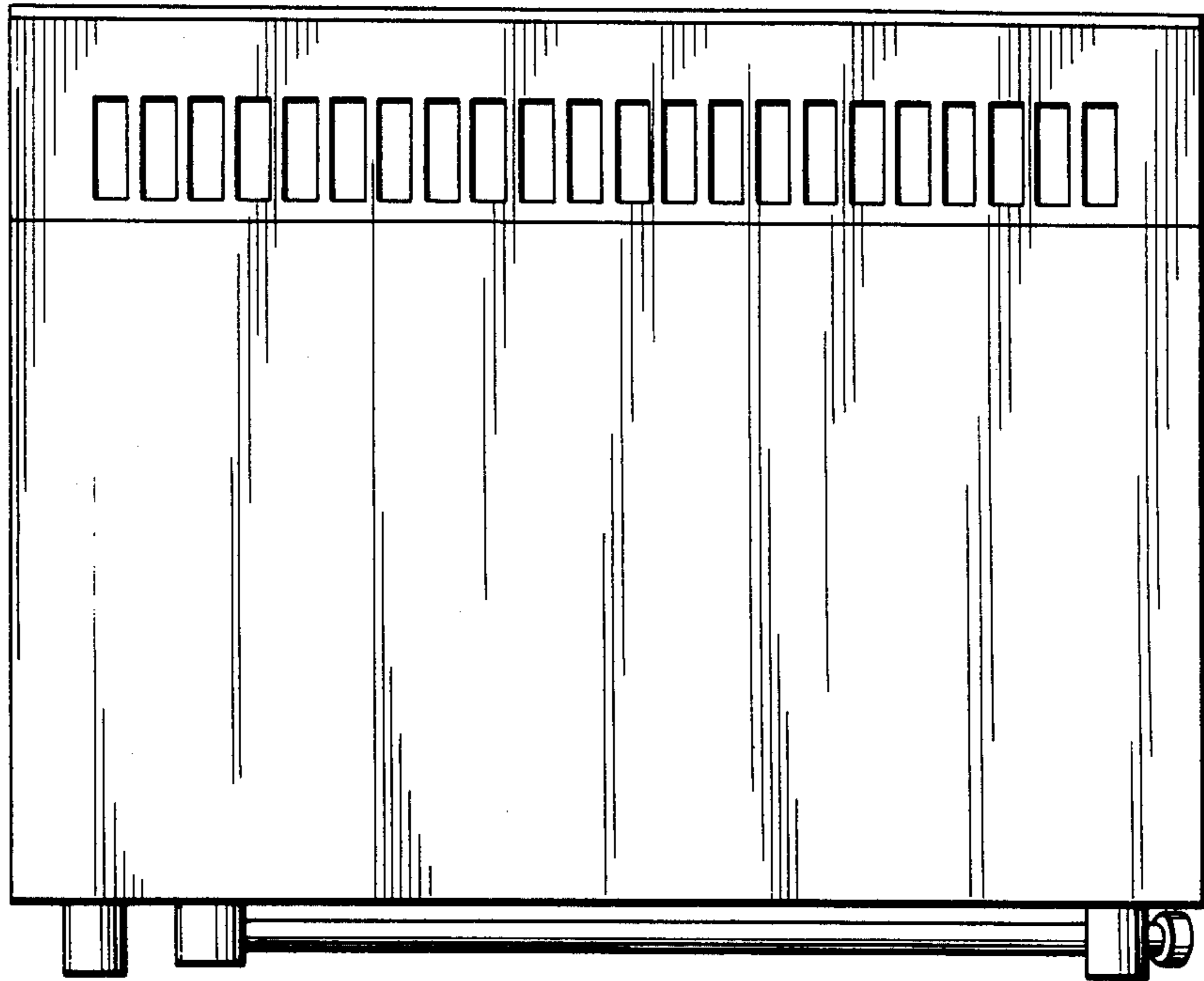


Fig. 5.

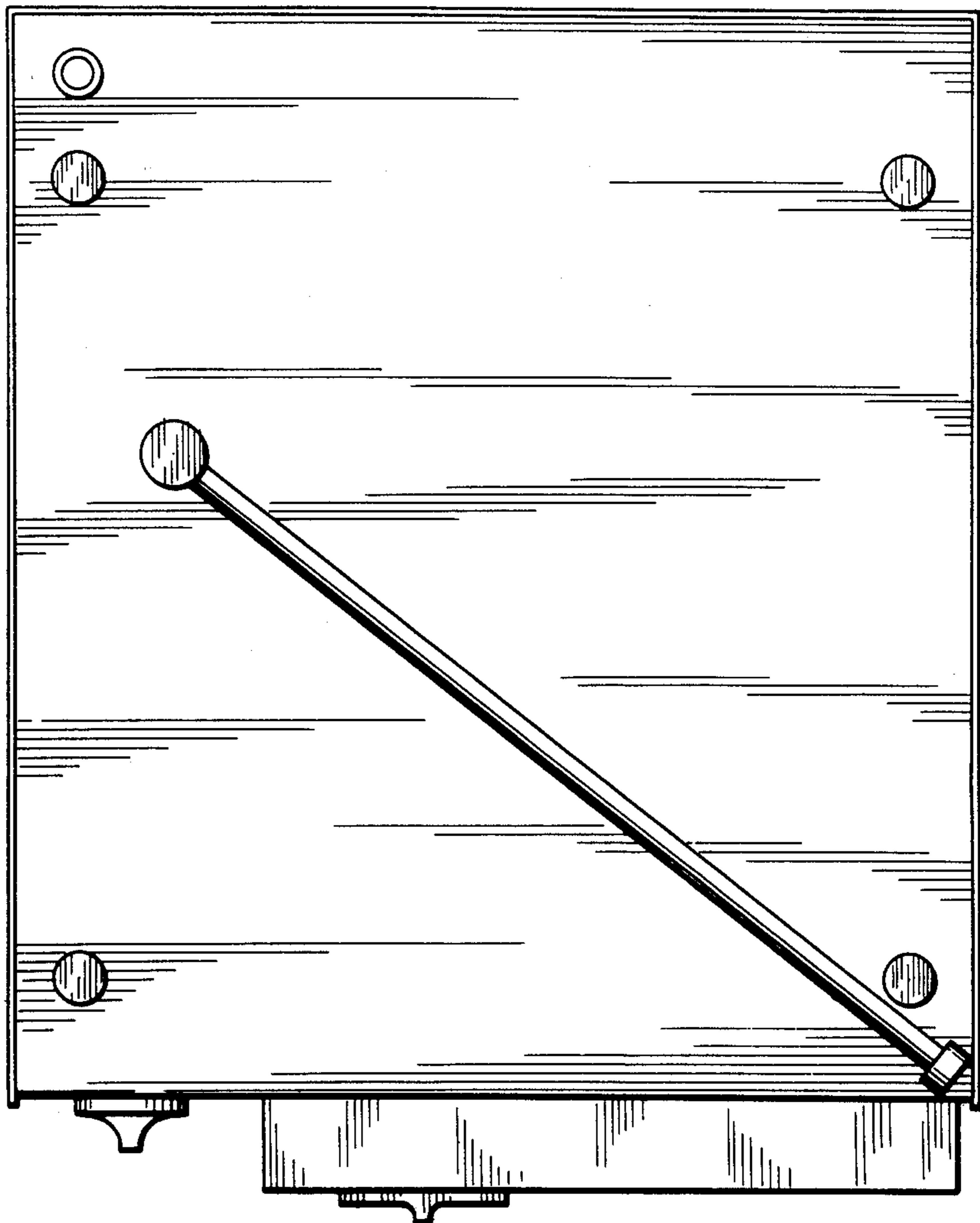


Fig. 6.

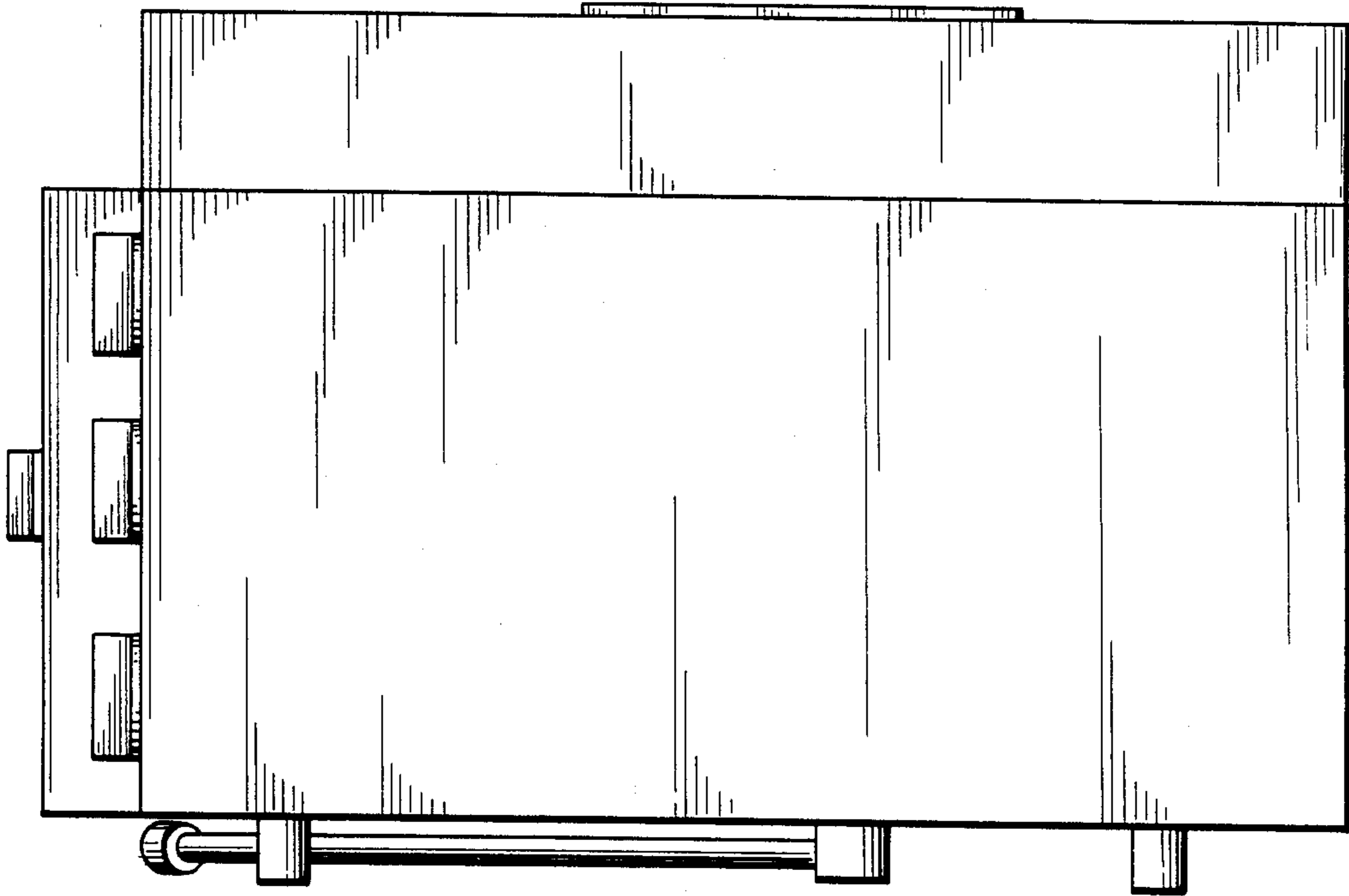


Fig. 7.

