

[54] TABLE PLATE FOR PATIENT SUPPORTING TABLE

[76] Inventor: Hans Arne Valentin Johansson,
Treharadsvagen 36, S-241 00 Eslov,
Sweden

[**] Term: 14 Years

[21] Appl. No.: 649,532

[22] Filed: Jan. 15, 1976

[30] Foreign Application Priority Data

Nov. 3, 1975 Sweden 752173

[51] Int. Cl. D24—01; D6—01

[52] U.S. Cl. D24/3

[58] Field of Search D6/84, 198, 79, 16,
D6/201; 5/331, 60; D24/3

[56] References Cited

U.S. PATENT DOCUMENTS

D. 229,260 11/1973 Benoit et al. D6/79

| | | | |
|------------|--------|-----------------------|--------|
| D. 238,406 | 1/1976 | Bobrick | D6/79 |
| 3,585,660 | 6/1971 | Gottfried et al. | 5/60 |
| 3,670,347 | 6/1972 | Weinstein | 5/60 |
| 3,689,949 | 9/1972 | Weinstein | 5/60 |
| 3,800,342 | 4/1974 | Tenteris | 5/60 |
| 3,930,273 | 1/1976 | Stern | 5/331 |
| 4,002,330 | 1/1977 | Johansson | 5/60 X |

Primary Examiner—Bernard Ansher

Attorney, Agent, or Firm—John J. Dennemeyer

[57] CLAIM

The ornamental design of a table plate for patient supporting table, as shown and described.

DESCRIPTION

FIG. 1 is a top plan view of the table plate for patient supporting table, showing my new design;

FIG. 2 is an end elevation view thereof;

FIG. 3 is an opposite end elevation view of said table plate;

FIG. 4 is a perspective view of said table plate;

FIG. 5 is a bottom plan view of said table plate; and

FIG. 6 is a side elevation view of said table plate.

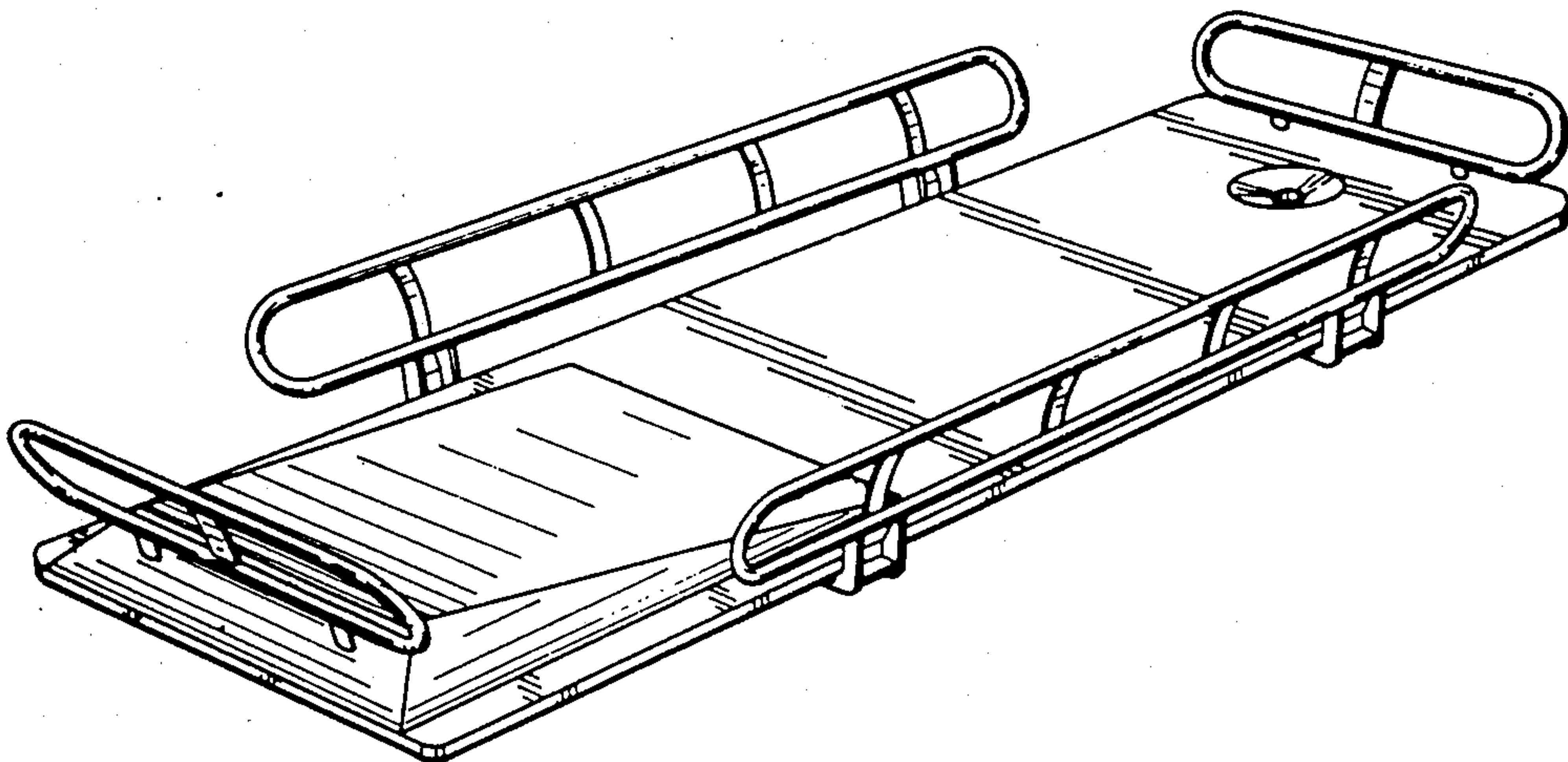


FIG. 3

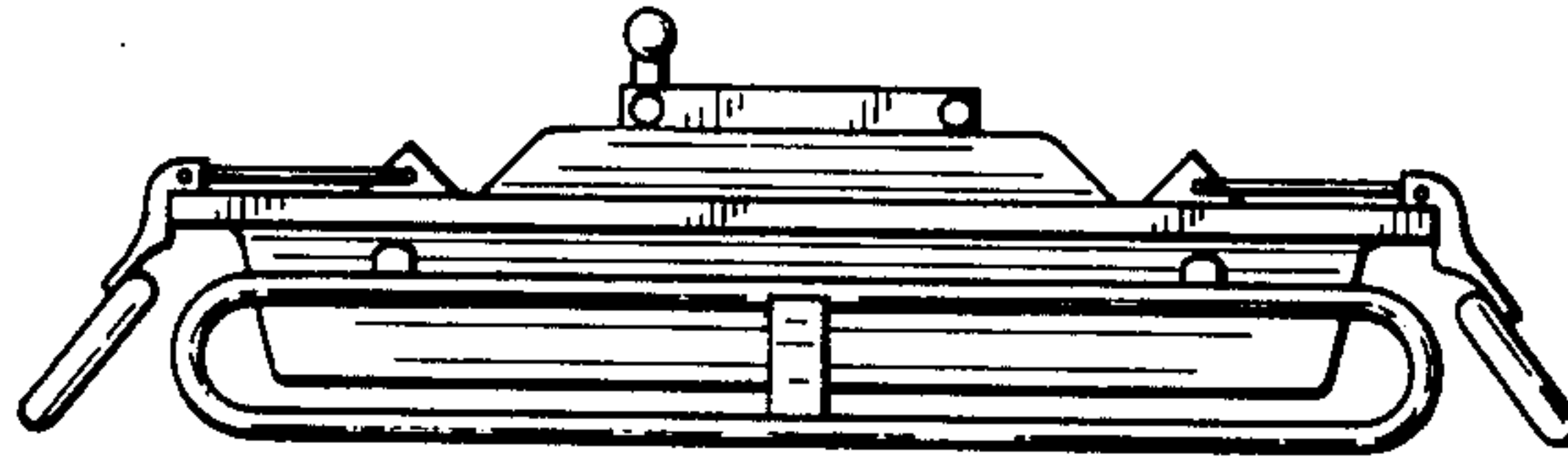


FIG. 1

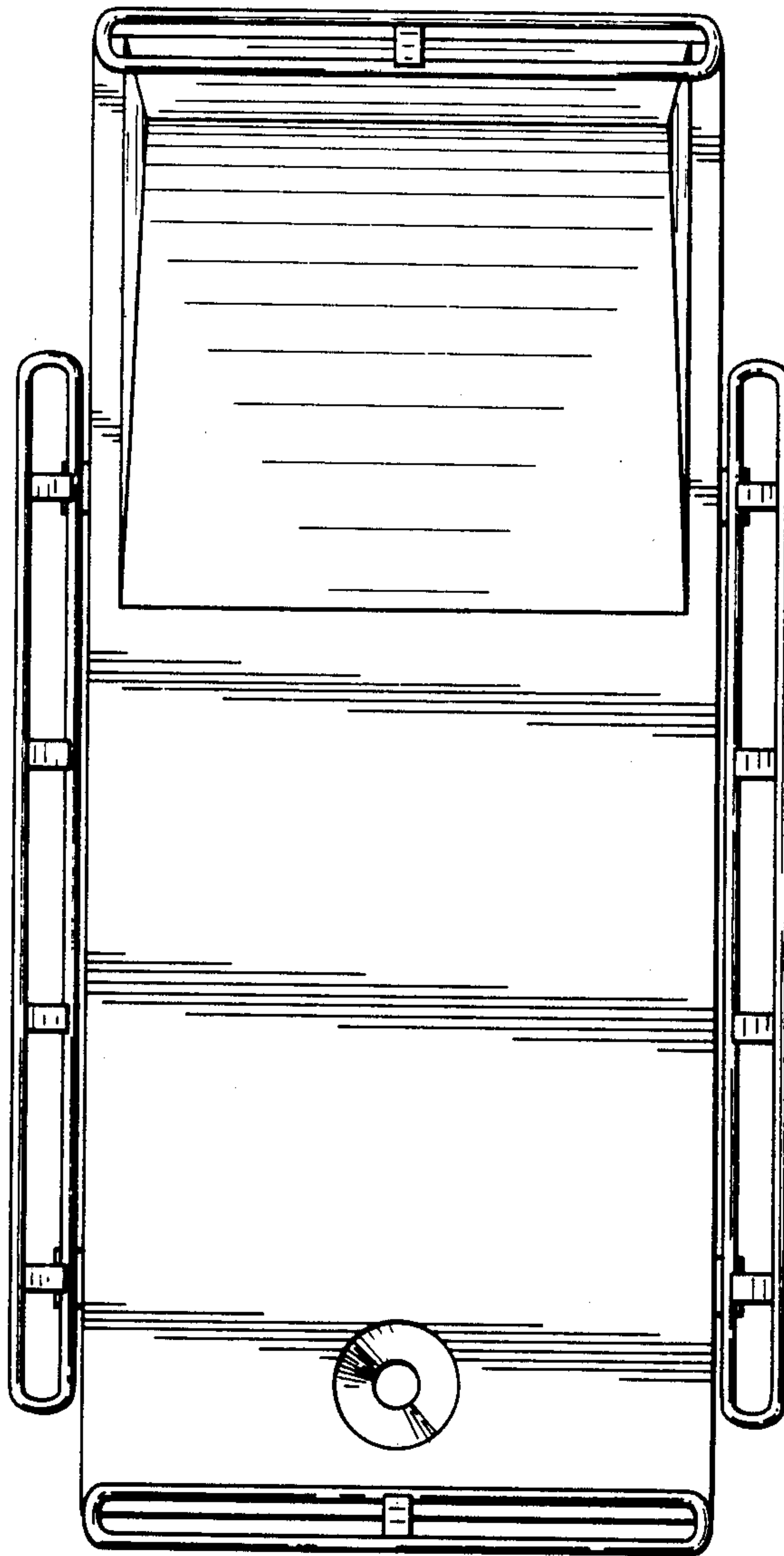


FIG. 2

