

[54] SOLAR HEATER

[75] Inventors: Normand Lysons Baxter, Lugarno; Paul Frederick Norrie, Waitara, both of Australia

[73] Assignee: Bax Products Pty. Limited, Rockdale, Australia

[**] Term: 14 Years

[21] Appl. No.: 645,544

[22] Filed: Dec. 31, 1975

[51] Int. Cl. D23—03

[52] U.S. Cl. D23/127

[58] Field of Search D23/127, 72; 126/271

[56]

References Cited

U.S. PATENT DOCUMENTS

1,014,972 1/1912 Nichols 126/271

Primary Examiner—Alan P. Douglas
Attorney, Agent, or Firm—Harold F. McNenny

[57]

CLAIM

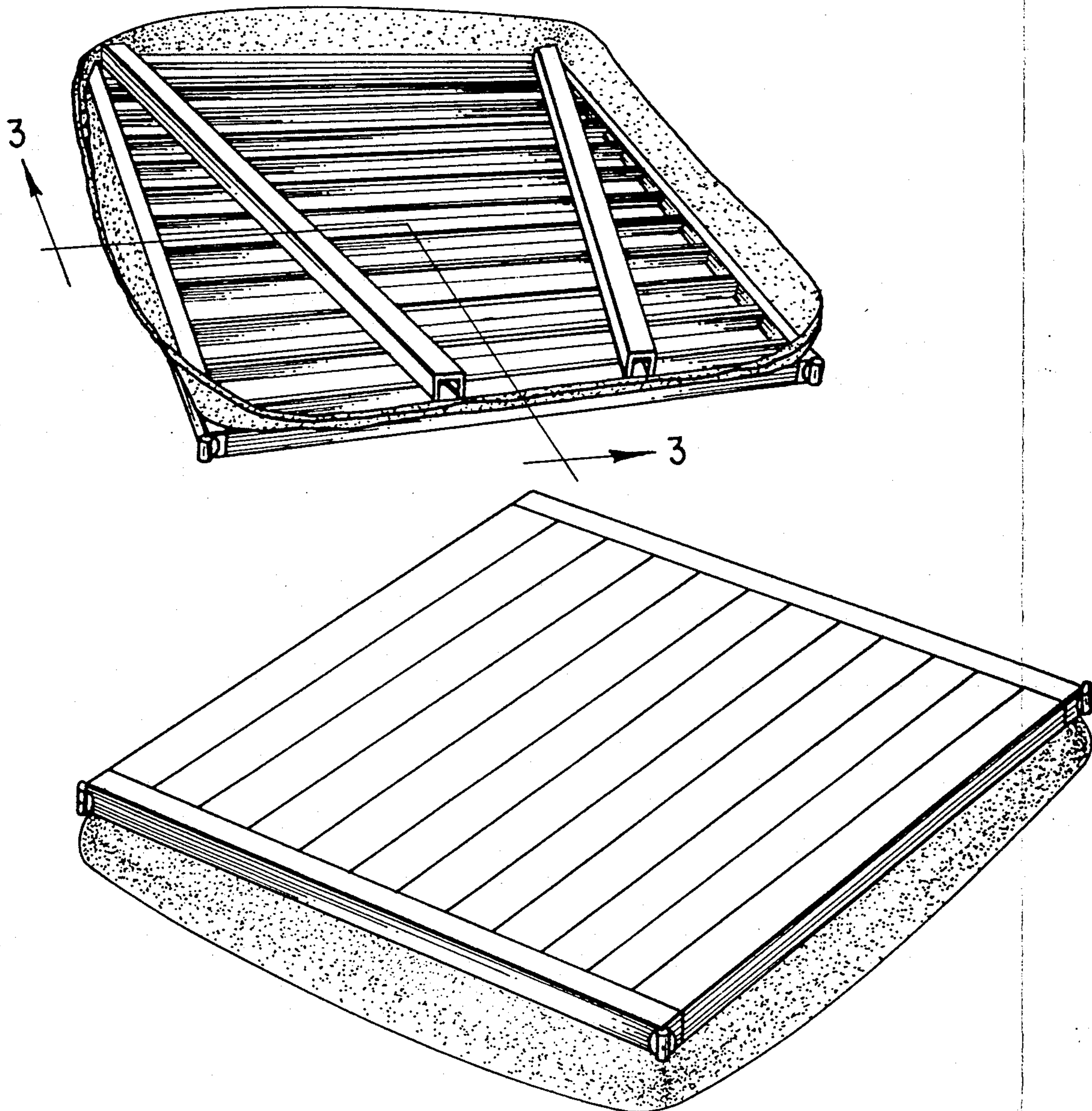
The ornamental design for a "solar heater," substantially as shown and described.

DESCRIPTION

FIG. 1 is a perspective view of the top of a "solar heater" including a downwardly depending flexible skirt according to our design;

FIG. 2 is a perspective view of the underside of the design with the downwardly depending flexible skirt shown in a different position for purposes of illustration; and

FIG. 3 is a sectional view on a slightly enlarged scale similar to FIG. 2, the plane of the section being indicated by line 3—3 in FIG. 2.



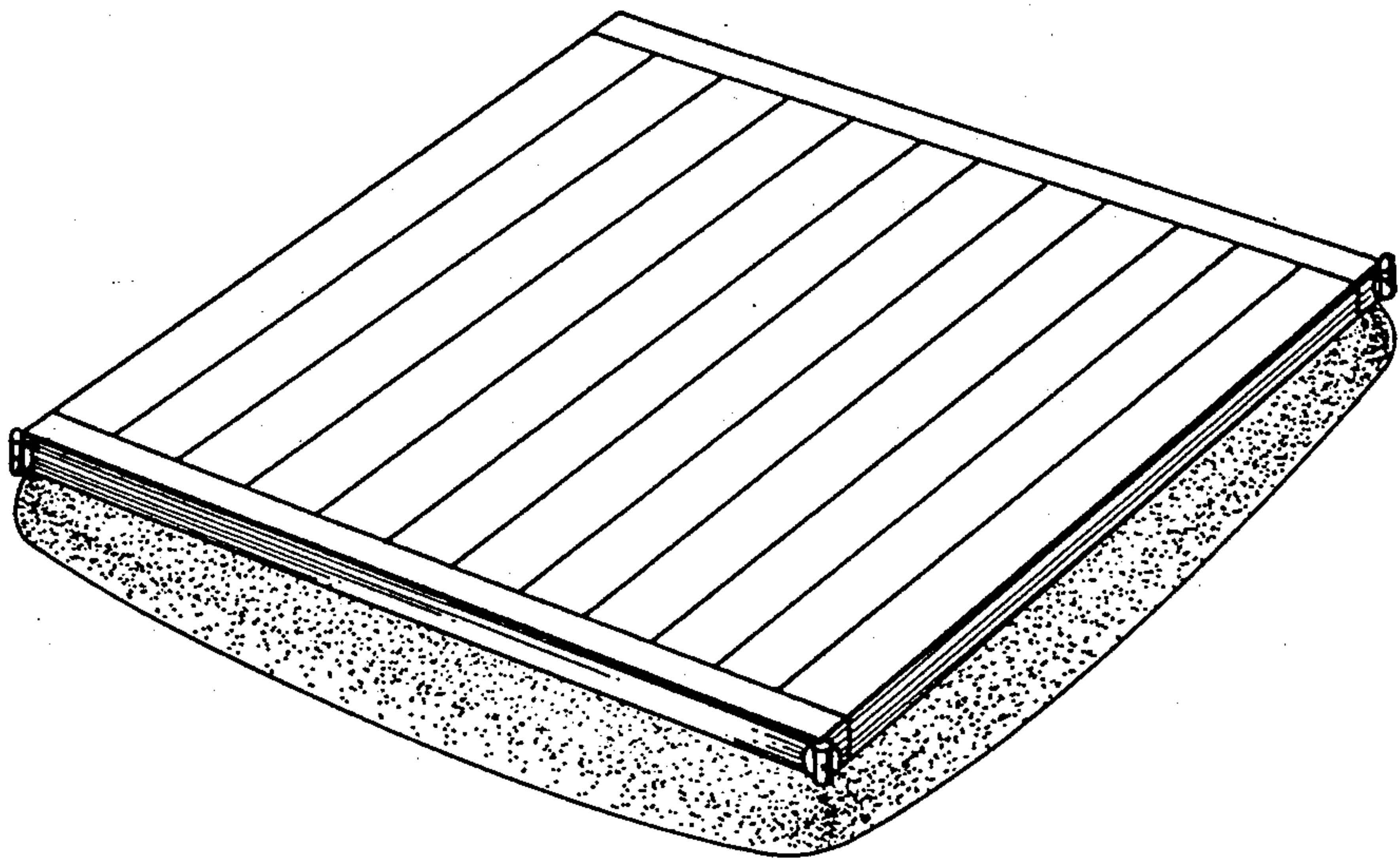


FIG. 1

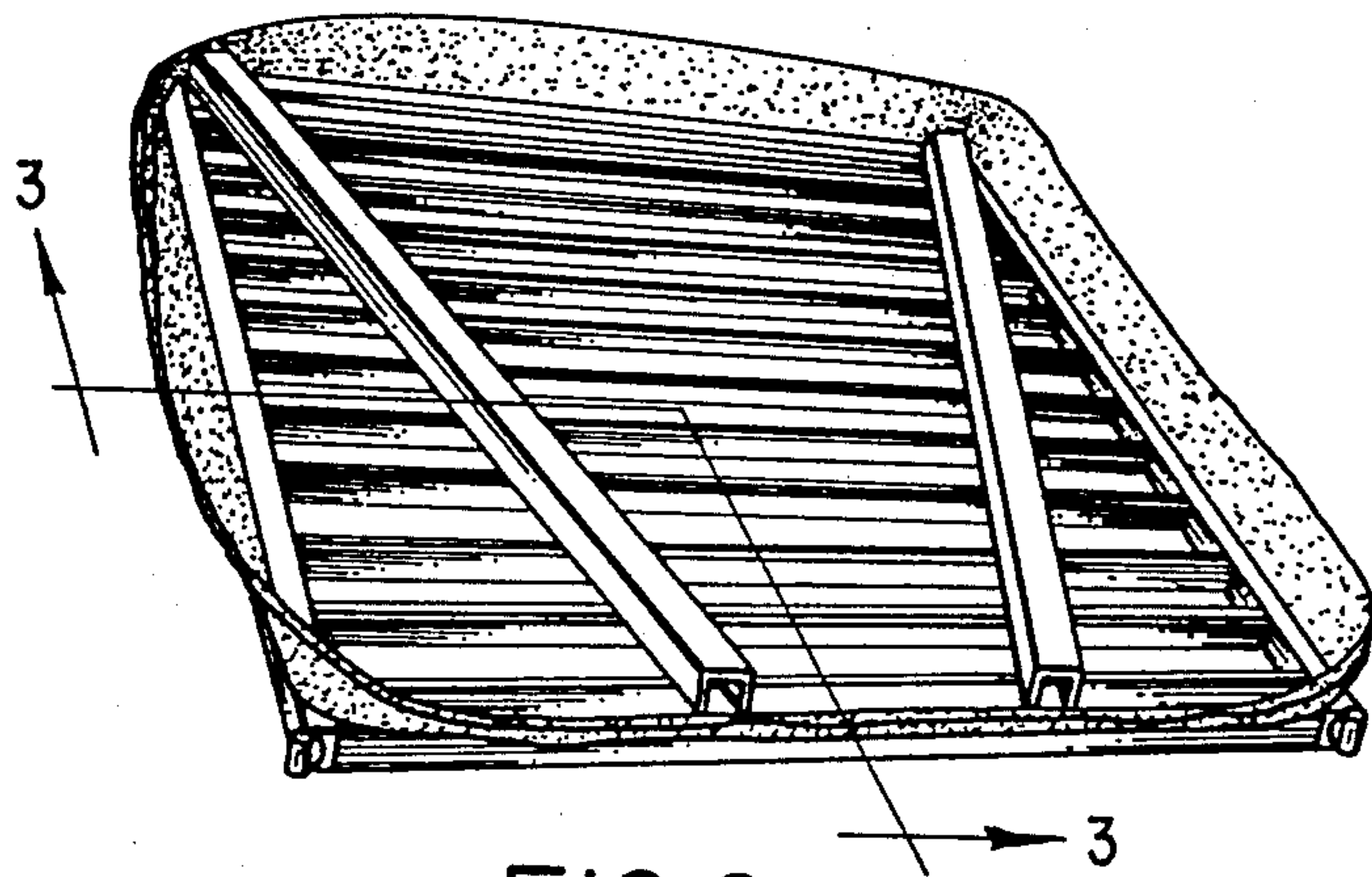


FIG. 2

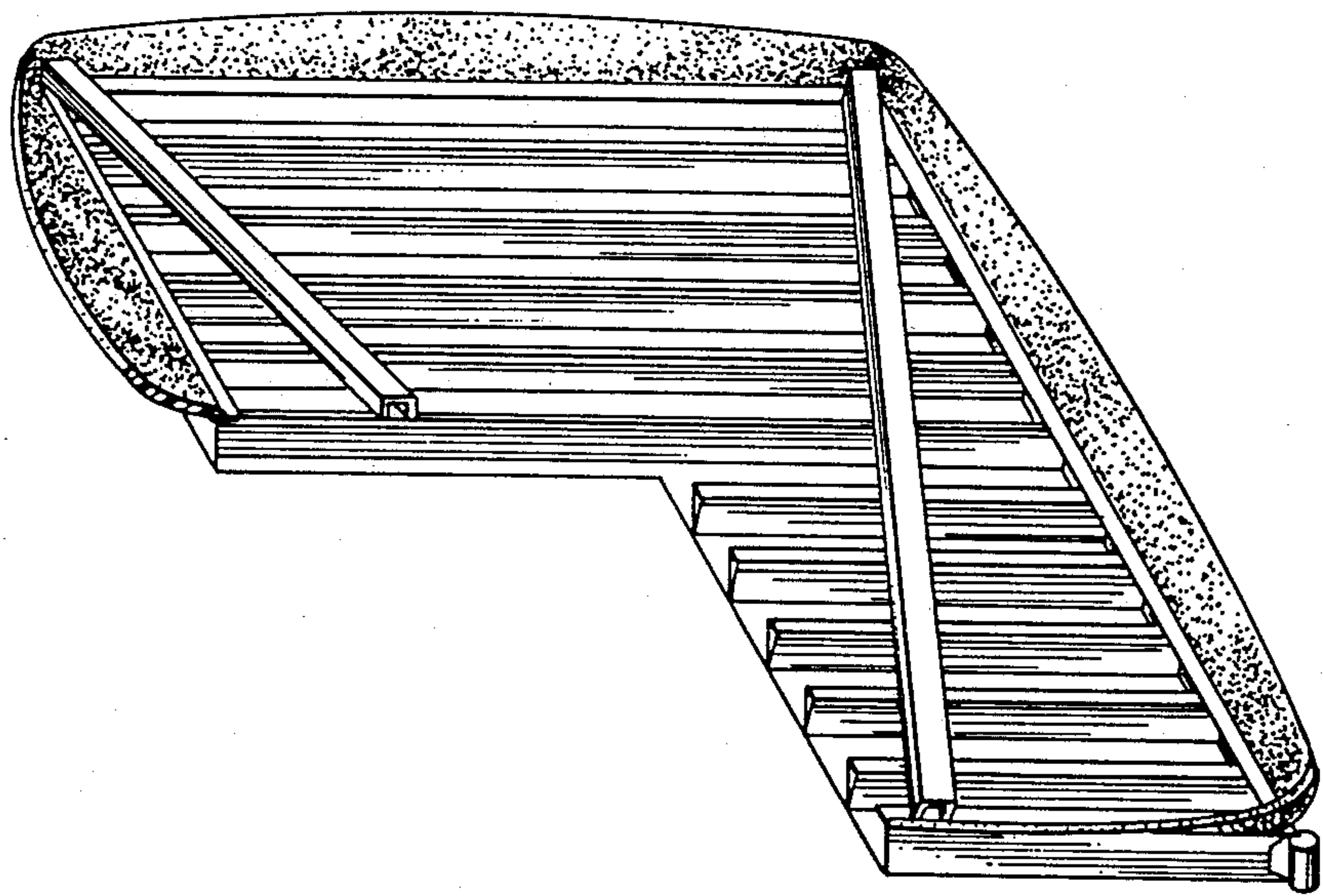


FIG. 3