

[54] MULTICOLOR TRANSPARENCY REPRODUCTION MACHINE

3,592,539 7/1971 Haslam et al. 355/3 R X
3,936,182 2/1976 Sheikh 355/14

[75] Inventors: Abraham Cherian, Webster; Ruedigar W. Knodt, Rochester, both of N.Y.

Primary Examiner—Wallace R. Burke
Assistant Examiner—Catherine Kemper
Attorney, Agent, or Firm—James J. Ralabate

[73] Assignee: Xerox Corporation, Stamford, Conn.

[**] Term: 14 Years

[57] CLAIM

[21] Appl. No.: 663,387

The ornamental design for a multicolor transparency reproduction machine, substantially as shown and described.

[22] Filed: Mar. 3, 1976

DESCRIPTION

[51] Int. Cl. D16-03

[52] U.S. Cl. D16/27

[58] Field of Search D16/27-32;
355/3 R, 4, 5, 18, 19, 32, 45, 66

FIG. 1 is a front and right side perspective view of a multicolor transparency reproduction machine showing my new design;

FIG. 2 is a front and left side perspective view thereof;

FIG. 3 is an top plan view thereof shown on a slightly reduced scale;

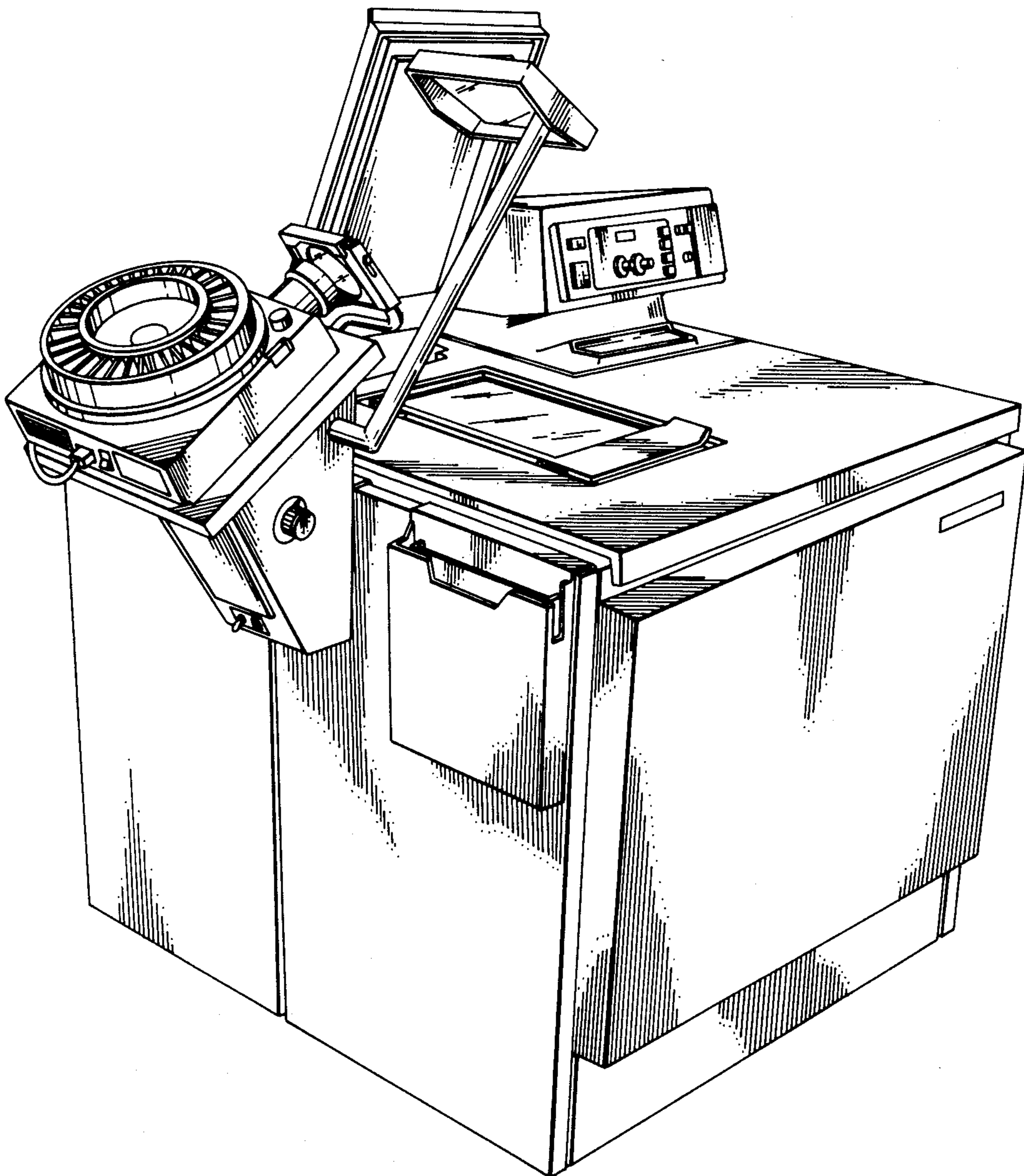
FIG. 4 is an right side elevational view thereof; and

FIG. 5 is an left side elevational view thereof.

[56] References Cited

U.S. PATENT DOCUMENTS

3,510,215 5/1970 Bennett D16/21 X



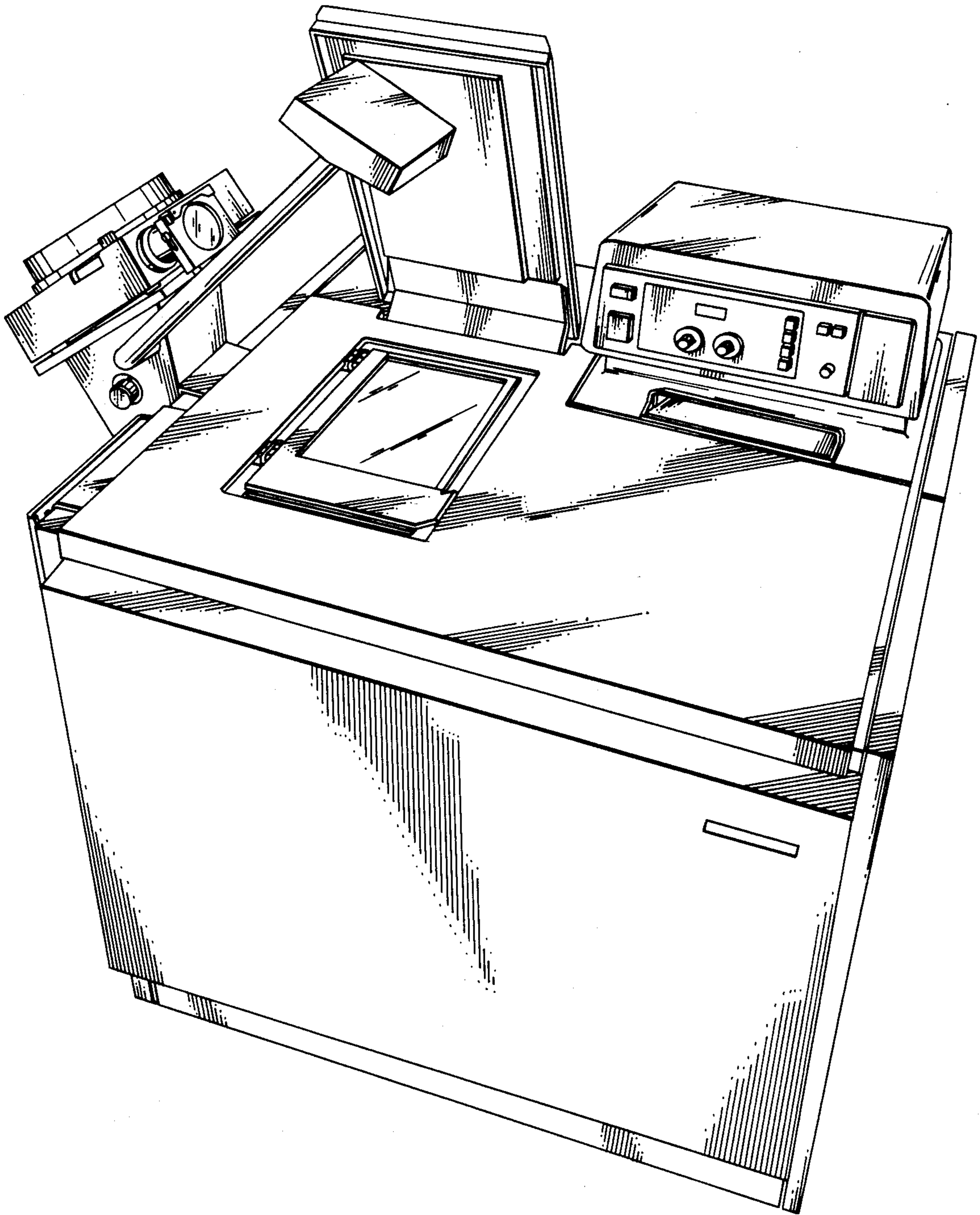


FIG. 1

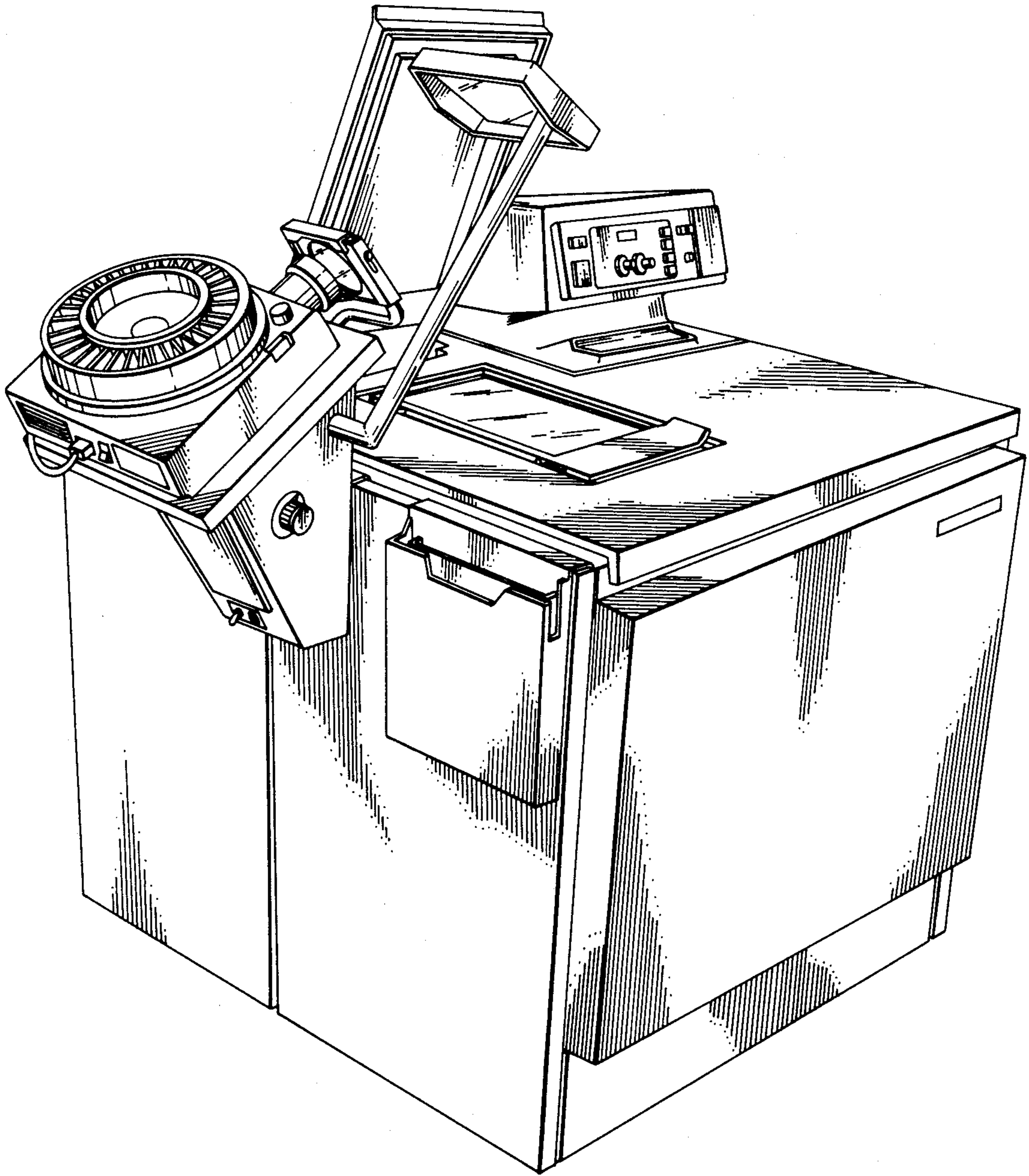


FIG. 2

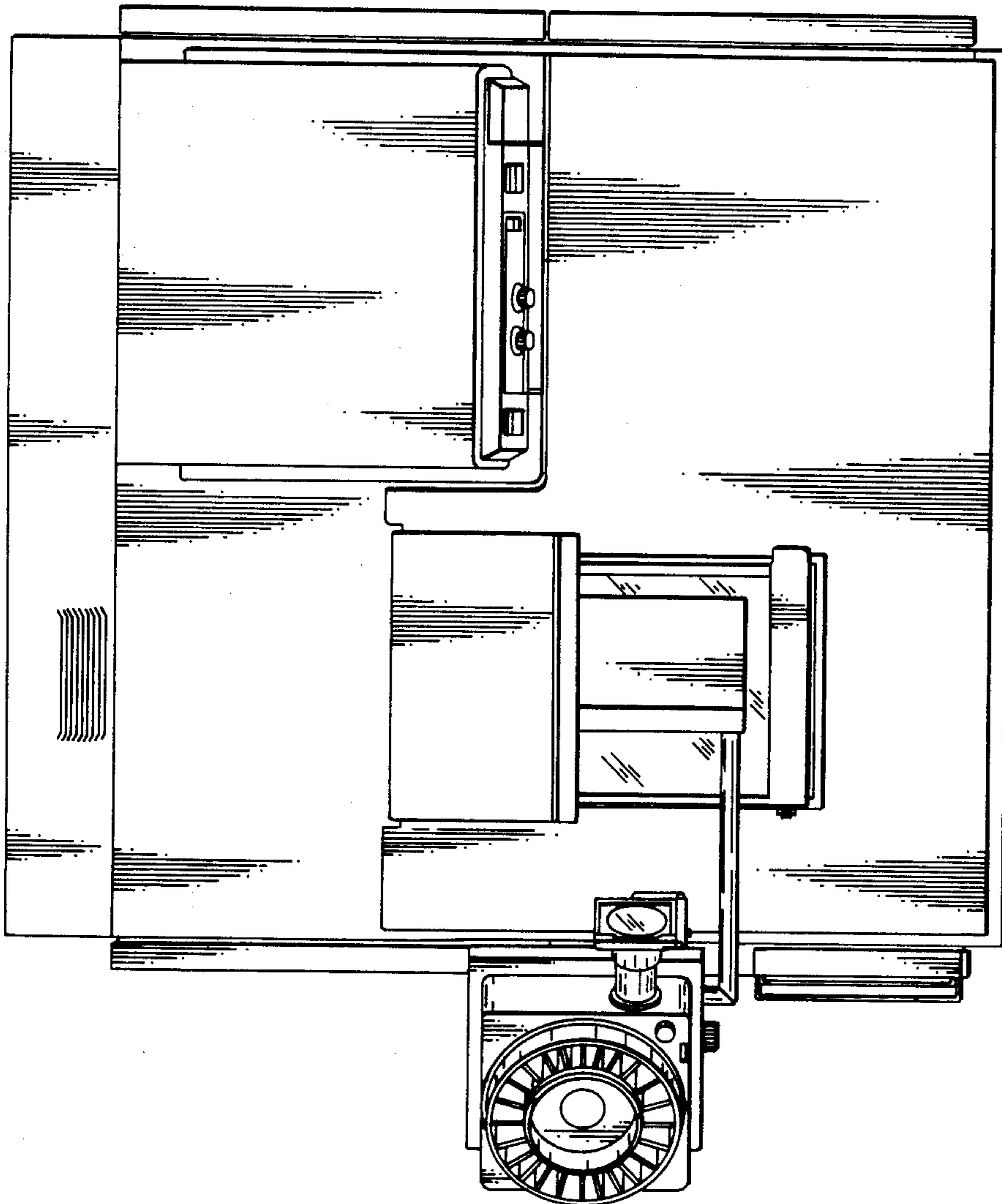


FIG. 3

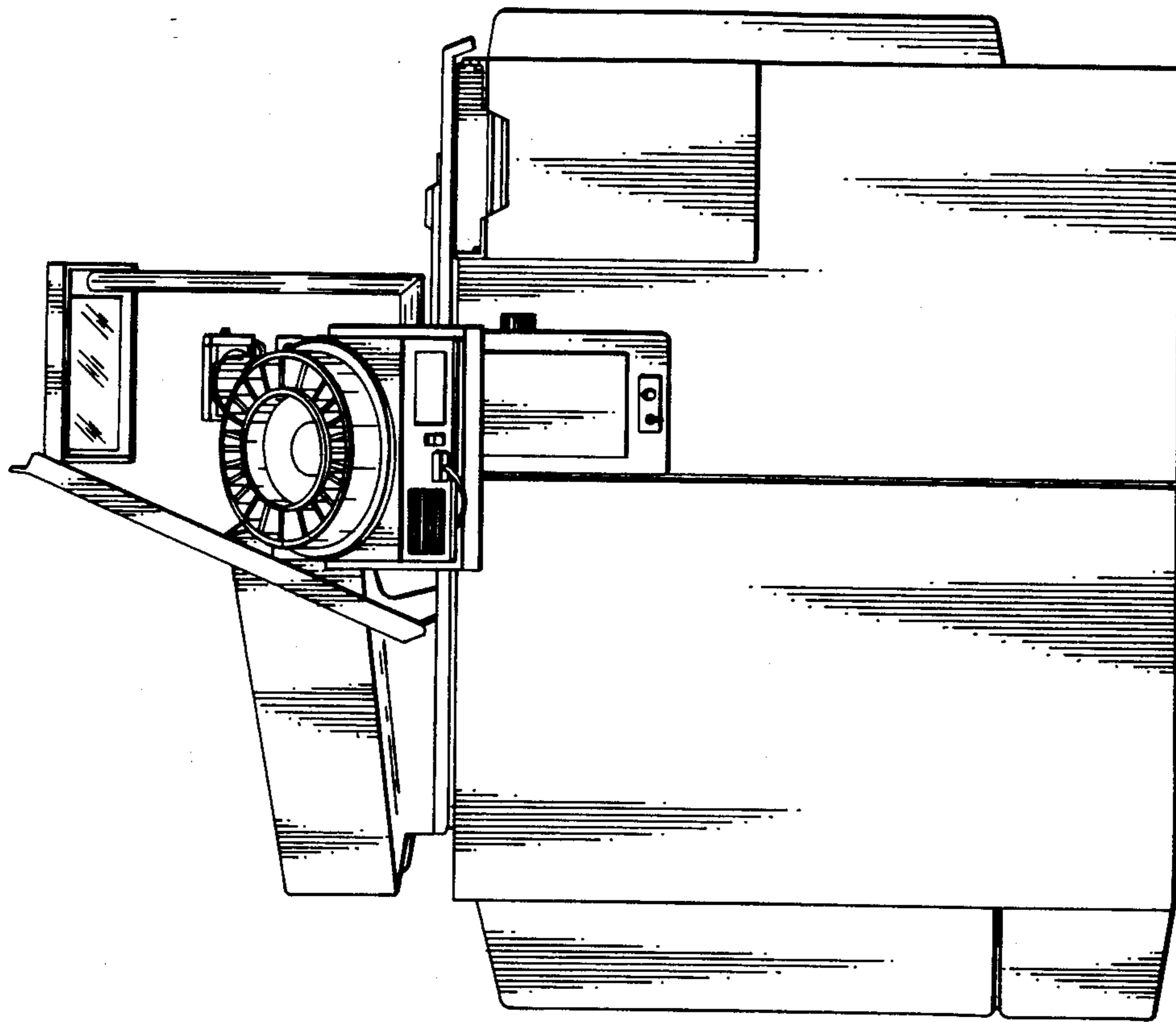


FIG. 5

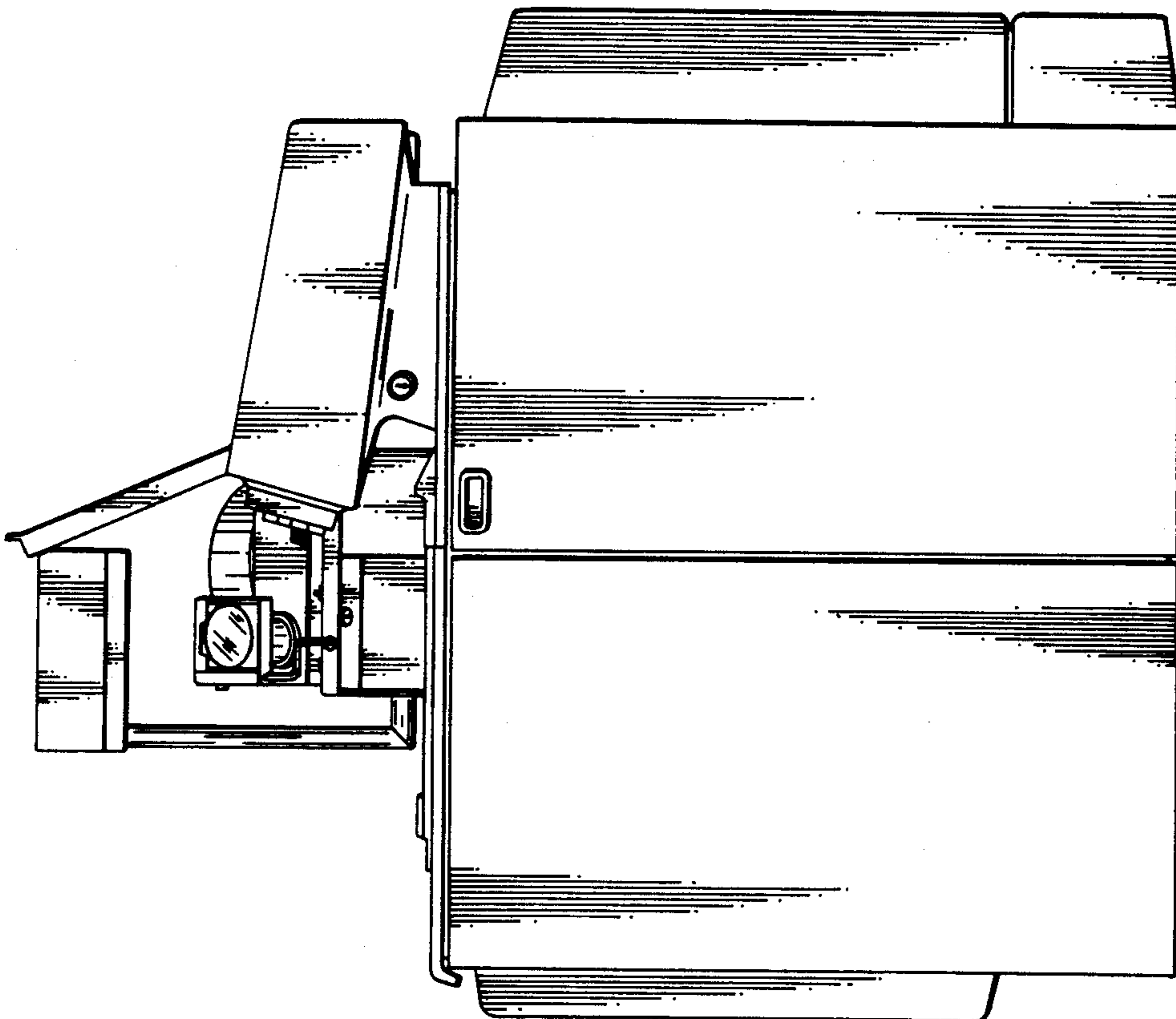


FIG. 4