

[54] **BELT CONVEYOR IDLER**

[75] Inventor: **Edward J. Christiansen**, Beaverton, Oreg.  
[73] Assignee: **Barber-Greene Company**, Aurora, Ill.  
[\*\*] Term: **14 Years**  
[21] Appl. No.: **687,238**  
[22] Filed: **May 17, 1976**  
(Under 37 CFR 1.47)  
[51] Int. Cl. .... **D12-05**  
[52] U.S. Cl. .... **D12/60**  
[58] Field of Search ..... **D12/60, 58; 198/825**

[56] **References Cited**

**U.S. PATENT DOCUMENTS**

2,743,004	4/1956	Wright .....	198/825 X
3,212,618	10/1965	Yowell et al. ....	198/825 X
3,504,785	4/1970	Gartner .....	198/825 X

*Primary Examiner*—Alan P. Douglas  
*Attorney, Agent, or Firm*—Dugald S. McDougall

[57] **CLAIM**

The ornamental design for a belt conveyor idler, as shown.

**DESCRIPTION**

FIG. 1 is a perspective view of a belt conveyor idler embodying his new design;  
FIG. 2 is a front elevational view thereof;  
FIG. 3 is a top plan view thereof;  
FIG. 4 is a bottom plan view thereof; and  
FIG. 5 is an end elevational view thereof.

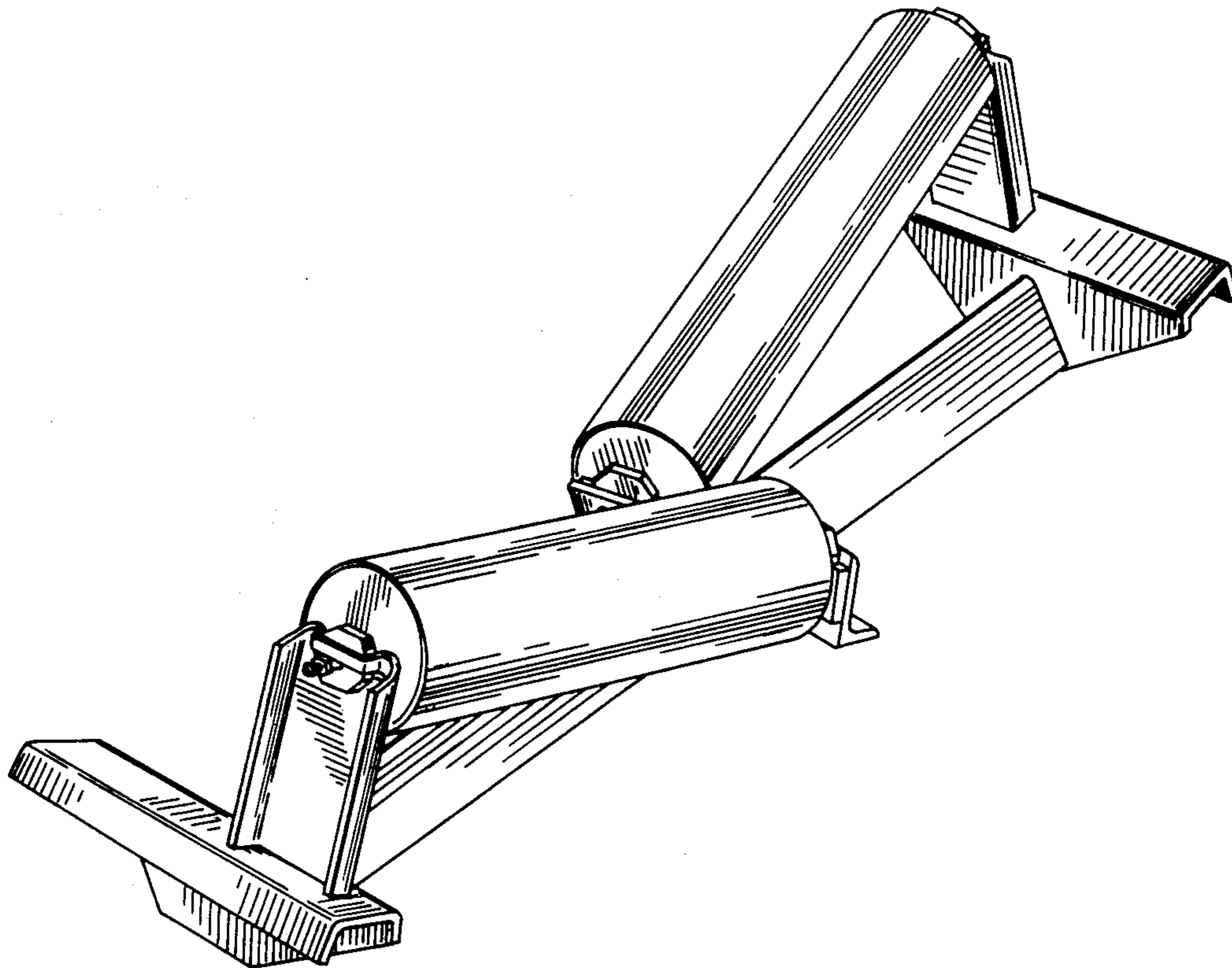


FIG. 1.

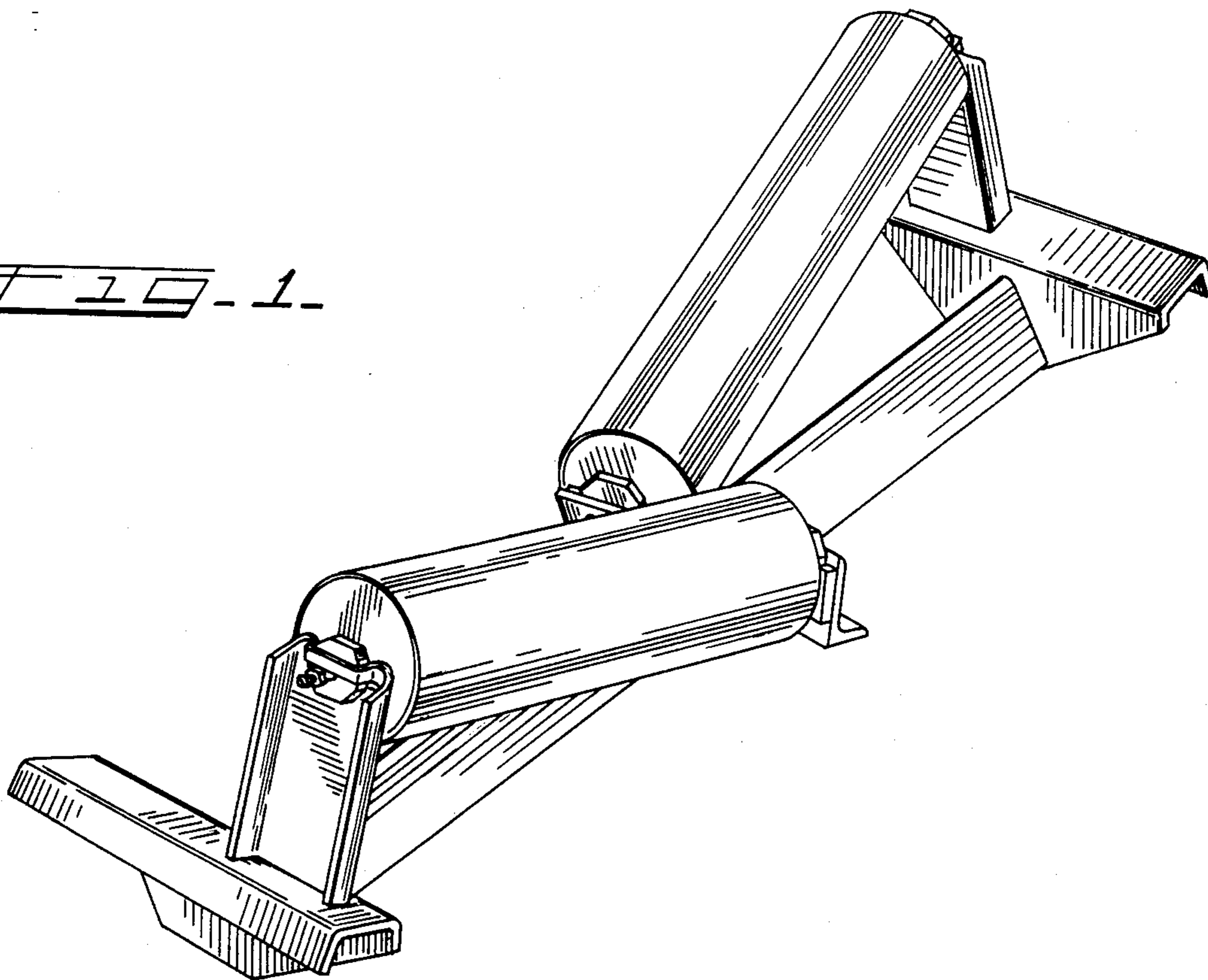
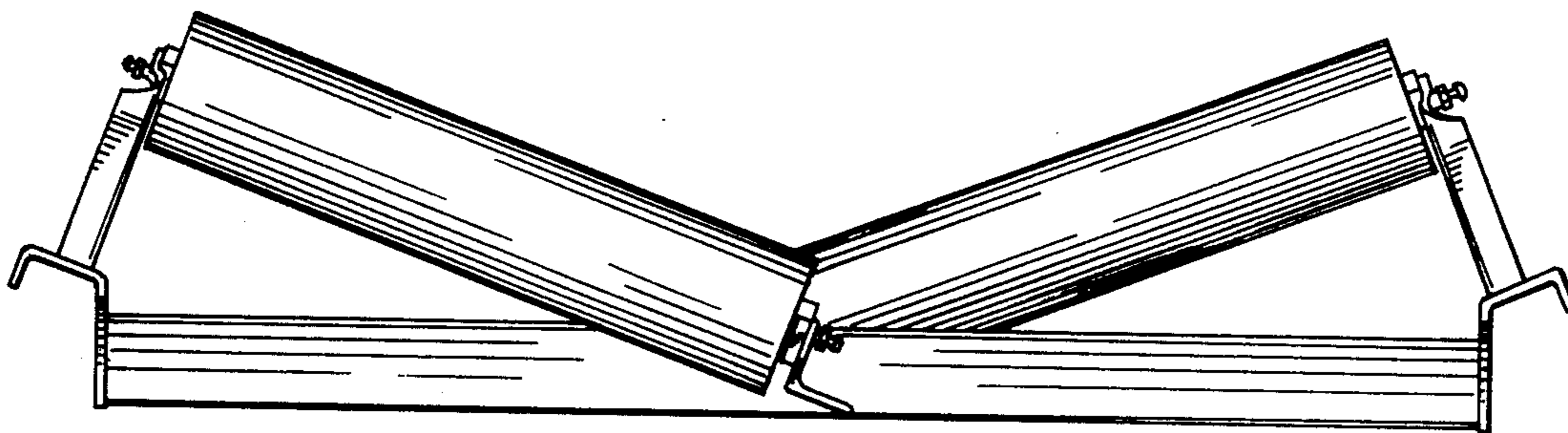


FIG. 2.



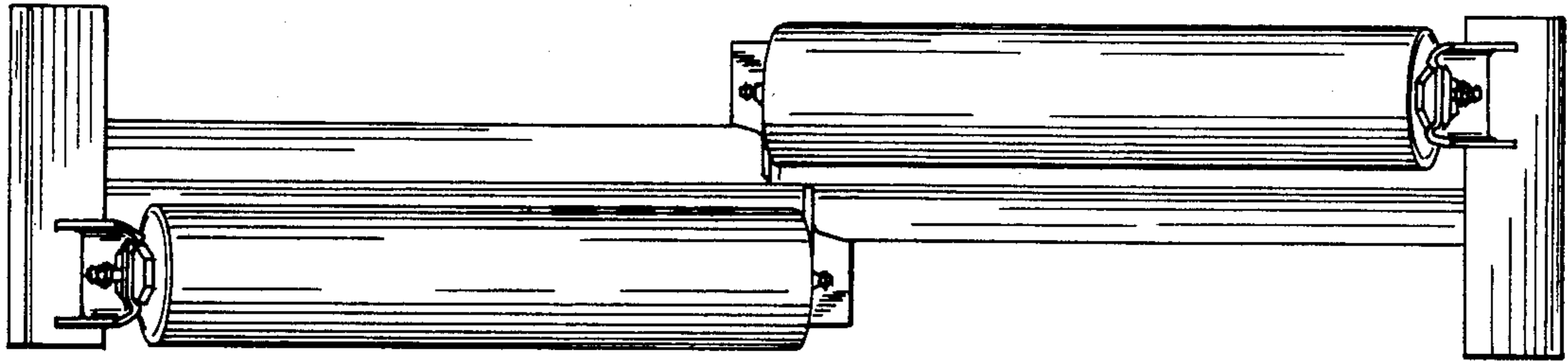


FIG. 3.

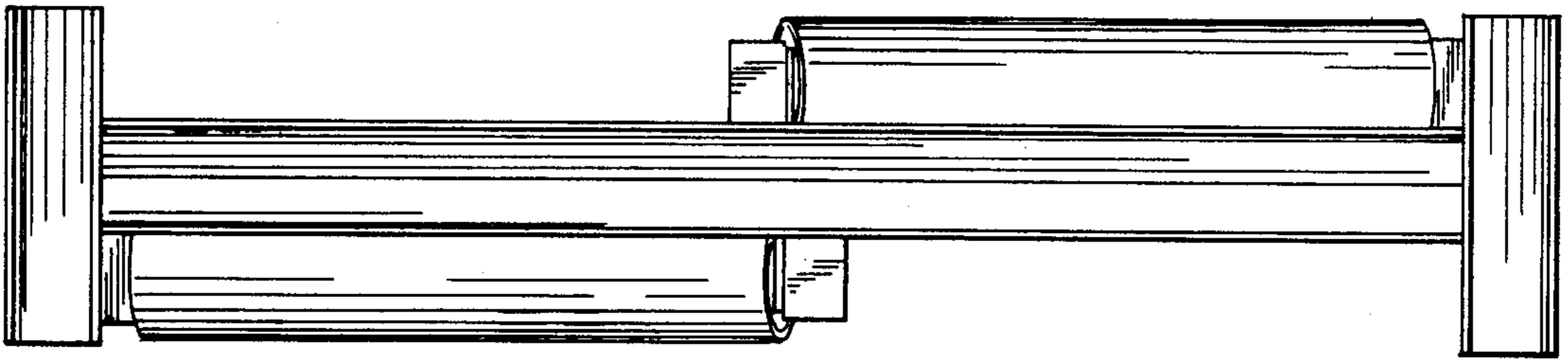


FIG. 4.

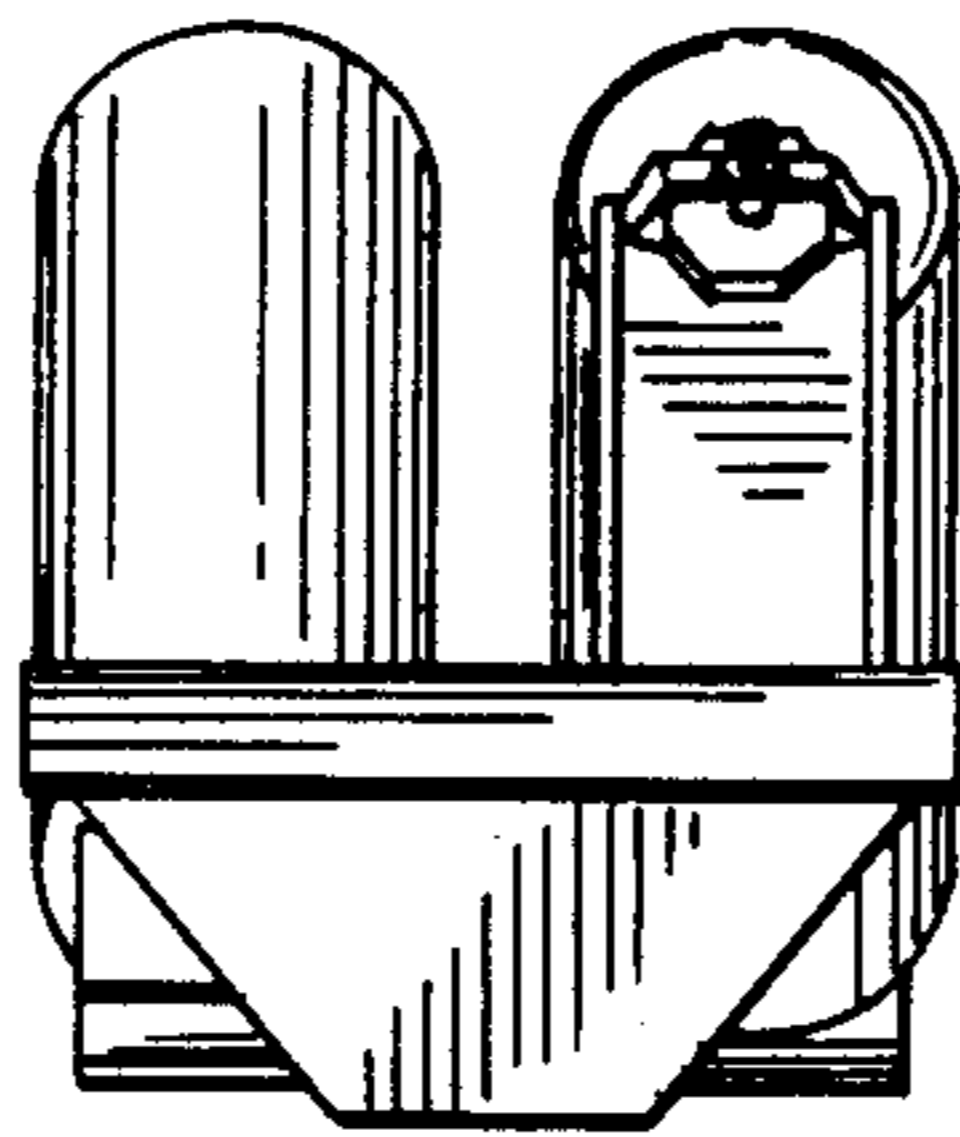


FIG. 5.