

[54] THERMOSTAT

[75] Inventor: Herbert J. Taylor, Aloha, Oreg.

[73] Assignee: Sunne Controls Division Peco, Inc.,
Portland, Oreg.

[**] Term: 14 Years

[21] Appl. No.: 676,209

[22] Filed: Apr. 12, 1976

[51] Int. Cl. D10-04
[52] U.S. Cl. D10/50
[58] Field of Search D10/49-53;
165/26

[56] References Cited

U.S. PATENT DOCUMENTS

D. 210,803	4/1968	Hill	D10/50
D. 216,373	12/1969	Hoyle	D10/50
D. 220,919	6/1971	Hill	D10/50
D. 237,151	10/1975	Taylor	D10/50

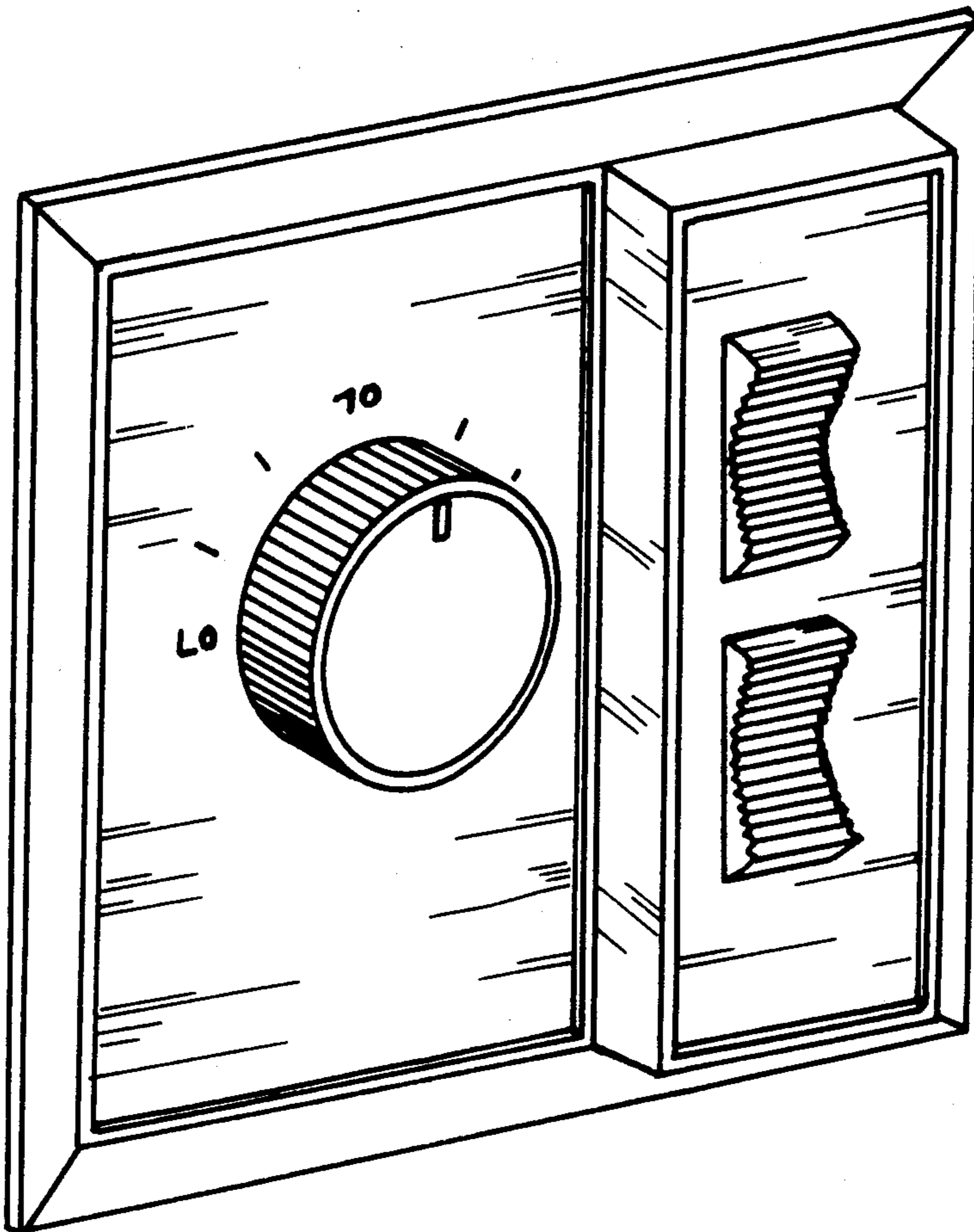
Primary Examiner—Nelson C. Holtje
Attorney, Agent, or Firm—Adrian J. LaRue

[57] CLAIM

The ornamental design for a thermostat, as shown and described.

DESCRIPTION

FIG. 1 is a top, left, front perspective view of a thermostat, showing my new design;
FIG. 2 is a right side elevational view thereof;
FIG. 3 is a left side elevational view thereof; and
FIG. 4 is a front elevational view thereof. The rear is substantially flat, plain and conventional.



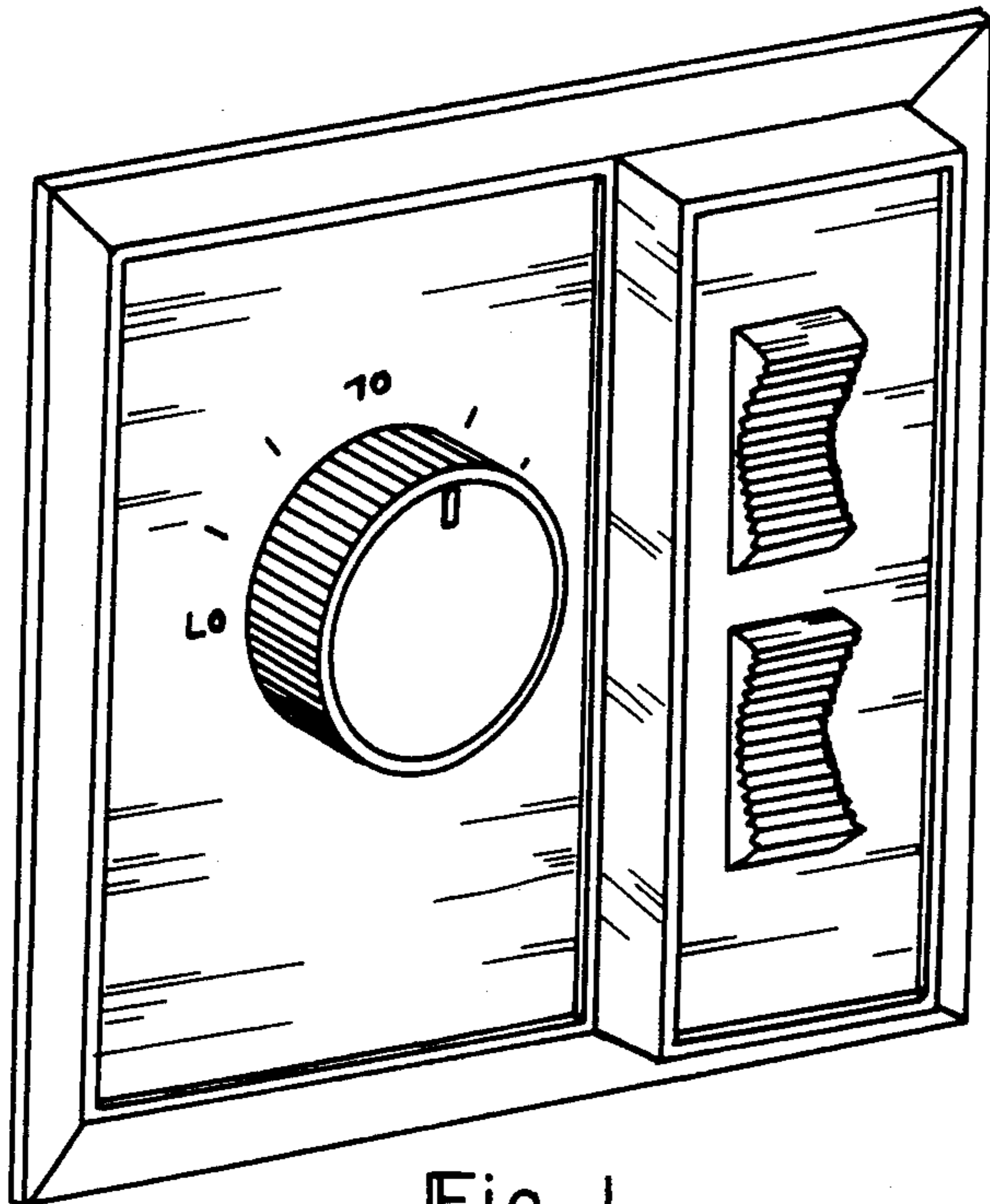


Fig-1

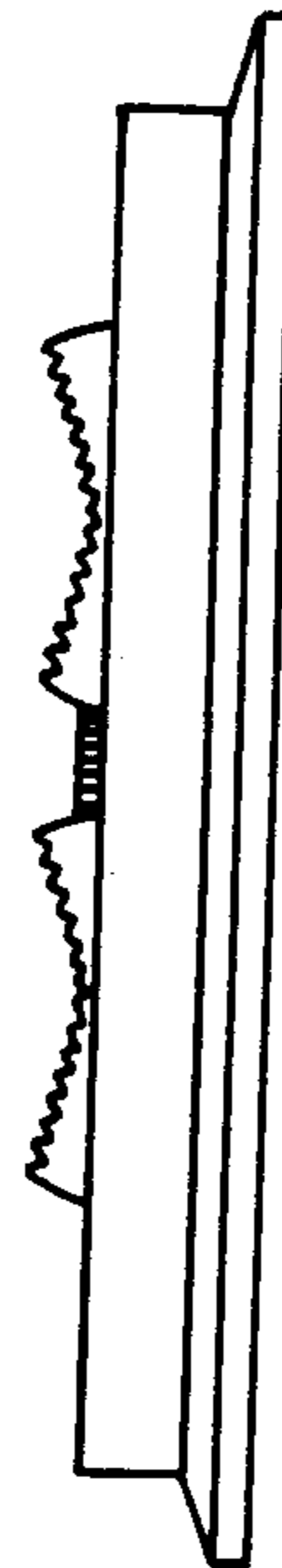


Fig-2

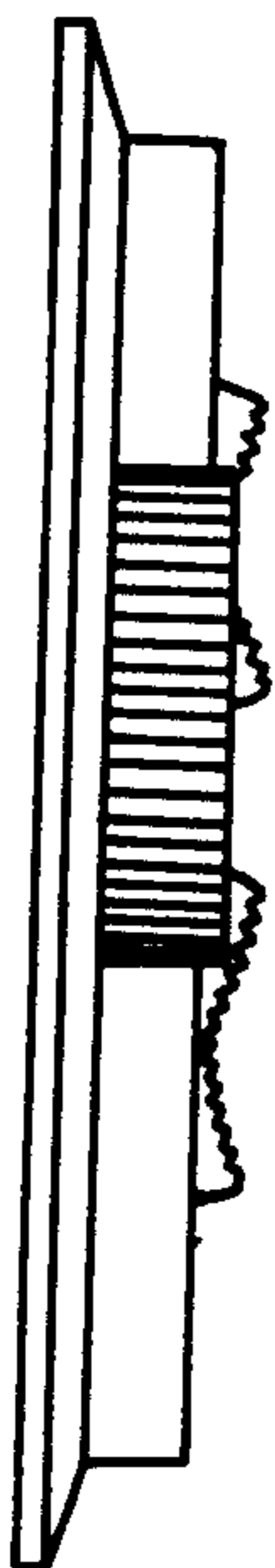


Fig-3

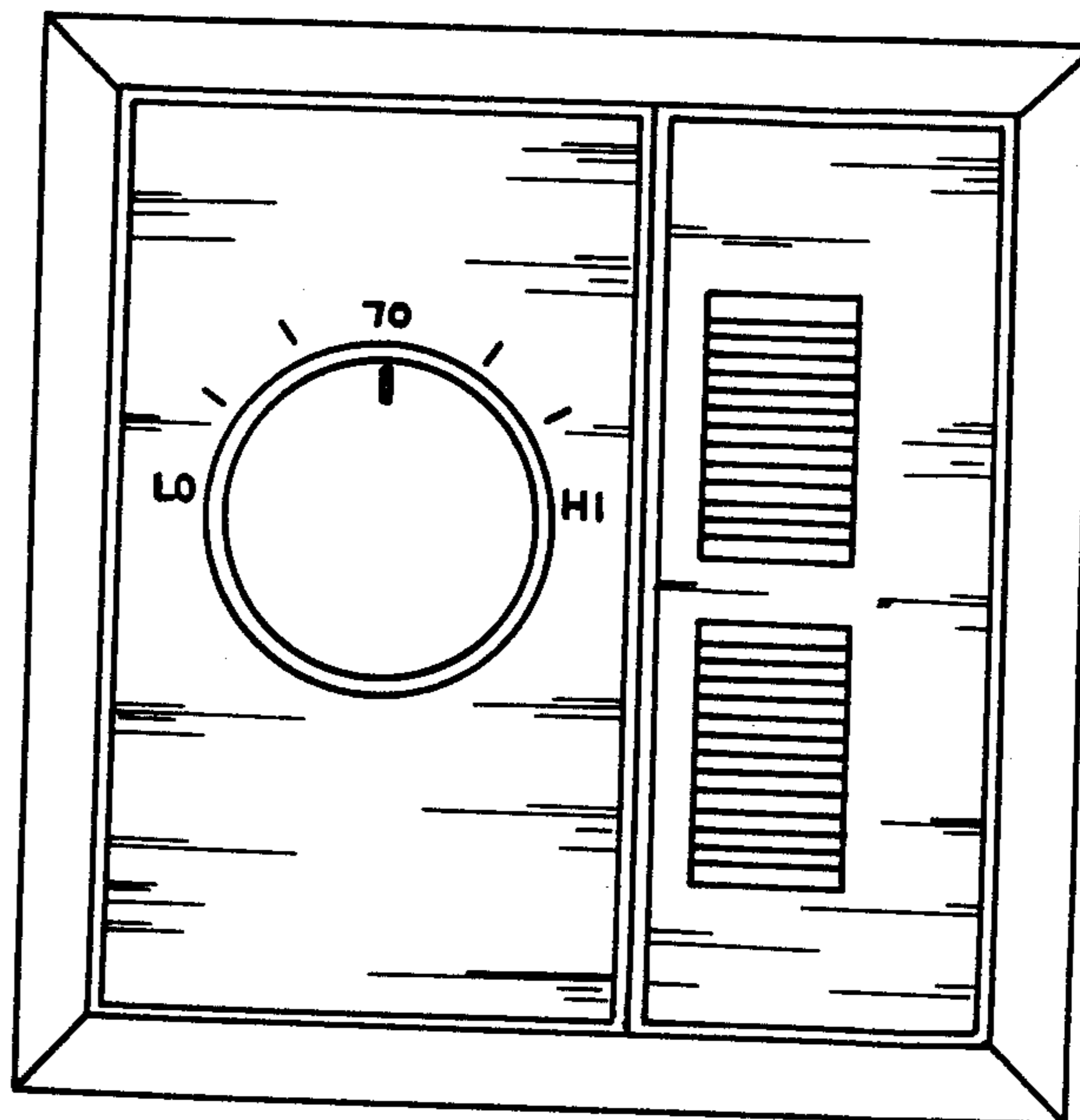


Fig-4