

[54] BOTTLE

[75] Inventor: Richard L. Weckman, Perrysburg, Ohio

[73] Assignee: Owens-Illinois, Inc.

[**] Term: 14 Years

[21] Appl. No.: 617,352

[22] Filed: Sept. 29, 1975

Related U.S. Application Data

[62] Division of Ser. No. 467,079, May 6, 1974.

[51] Int. Cl. D9-01

[52] U.S. Cl. D9/157

[58] Field of Search D9/167, 168, 157, 129-130; 215/1 R, 1 C

[56]

References Cited

U.S. PATENT DOCUMENTS

D. 235,312 6/1975 Kretz D9/127
D. 236,689 9/1975 Weckman D9/157

Primary Examiner—Robert C. Spangler
Attorney, Agent, or Firm—E. J. Holler

[57]

CLAIM

The ornamental design for a bottle, substantially as shown and described.

DESCRIPTION

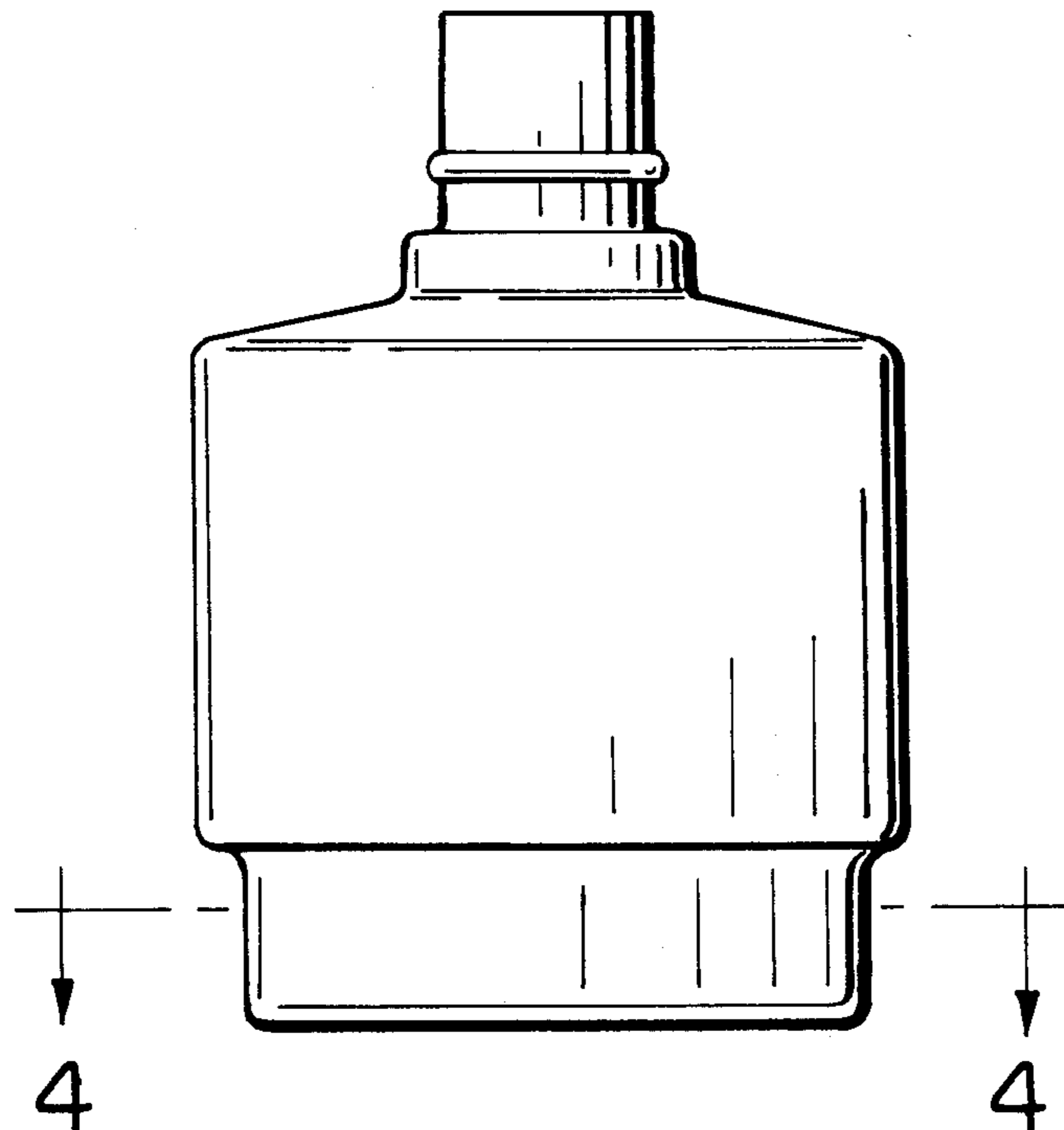
FIG. 1 is a front elevational view of a bottle showing my new design;

FIG. 2 is a side elevational view thereof;

FIG. 3 is a top plan view thereof; and

FIG. 4 is a sectional view thereof taken on line 4-4 of FIG. 1.

The back is the same in appearance as the front which is shown in FIG. 1, and the side opposite that seen in FIG. 2 is the same in appearance as the side shown.



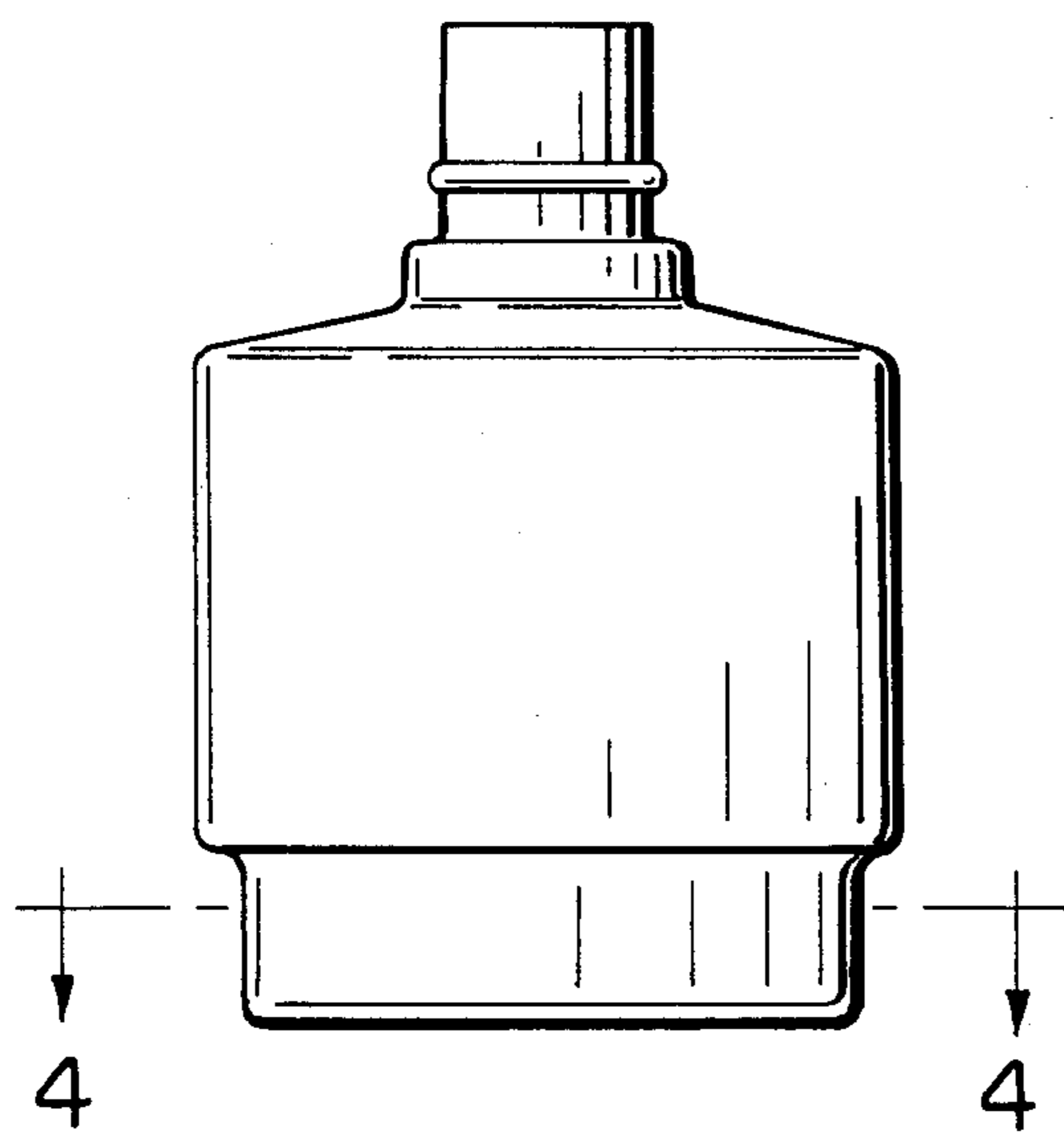


FIG. 1

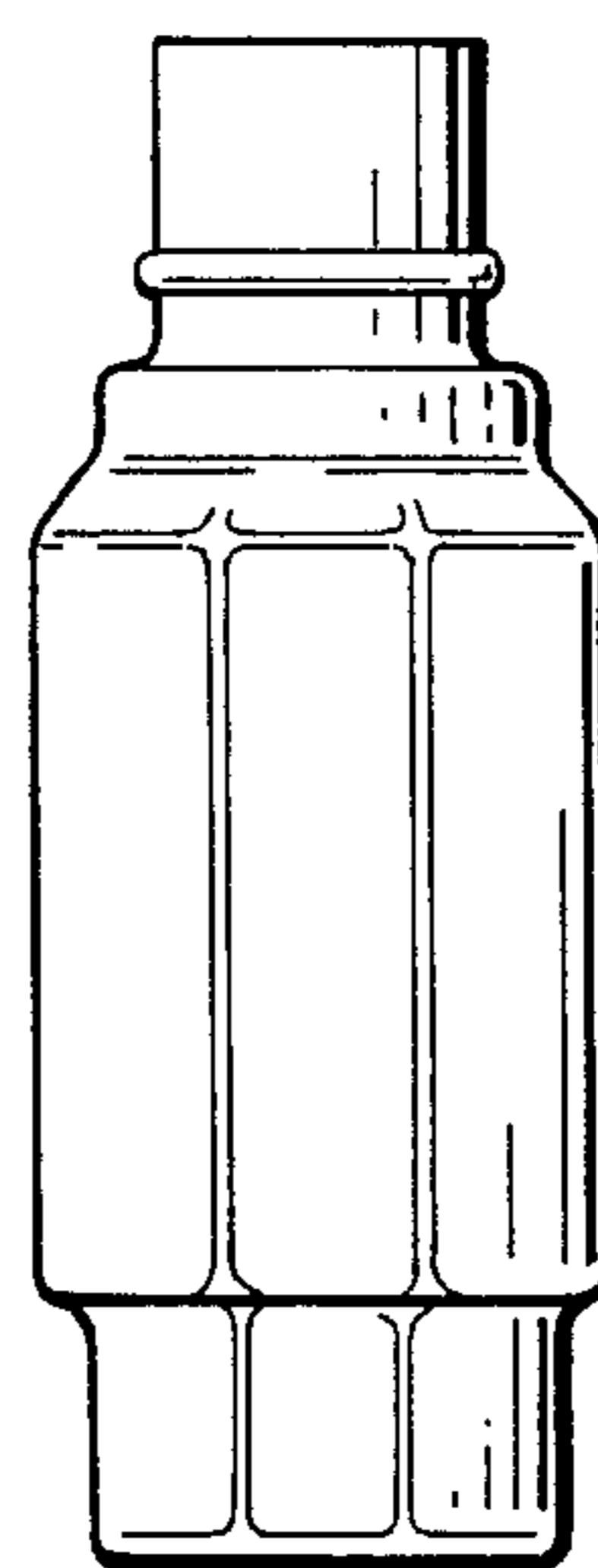


FIG. 2

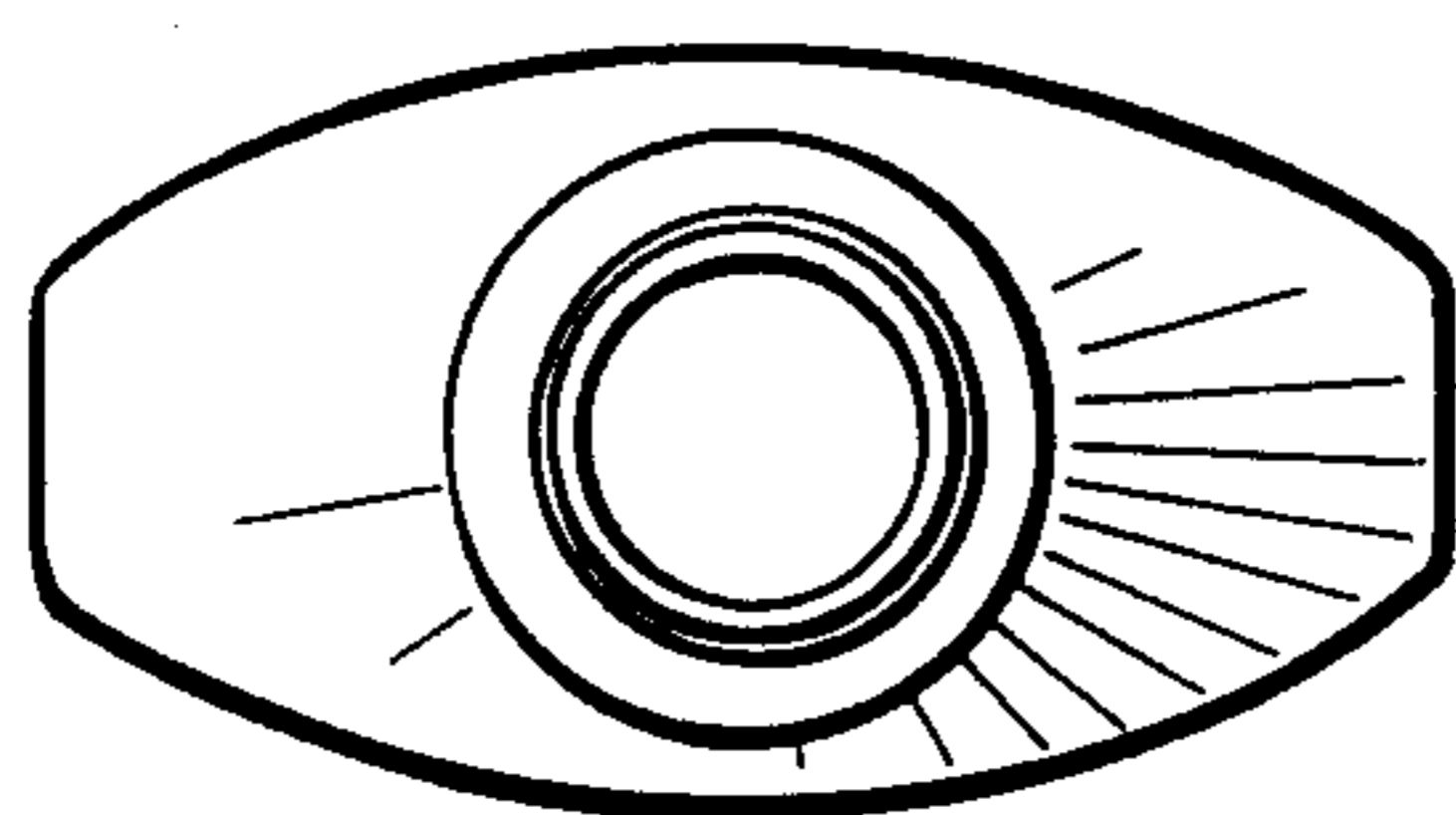


FIG. 3

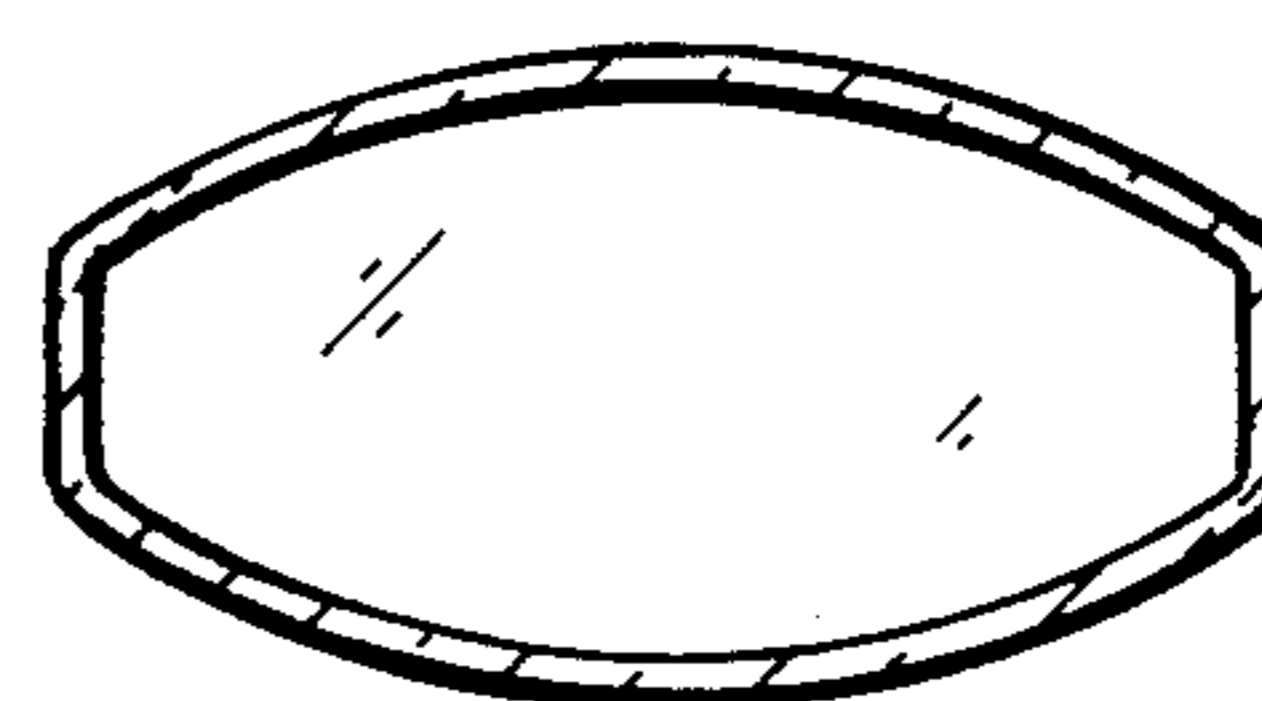


FIG. 4