

[54] BOTTLE OR SIMILAR ARTICLE
 [75] Inventor: Adam J. Grodin, Forest Hills, N.Y.
 [73] Assignee: American Cyanamid Company,
 Stamford, Conn.
 [**] Term: 14 Years
 [21] Appl. No.: 662,299
 [22] Filed: Mar. 1, 1976

[51] Int. Cl. D9-01
 [52] U.S. Cl. D9/71
 [58] Field of Search D9/59-71,
 D9/167-168, 149, 2

[56] **References Cited**
U.S. PATENT DOCUMENTS
 D. 75,852 7/1928 Lelong D9/168

D. 87,342 7/1932 Guerlain D9/168
 D. 112,540 12/1938 Smith D9/59
 D. 152,473 1/1949 Heim D9/168

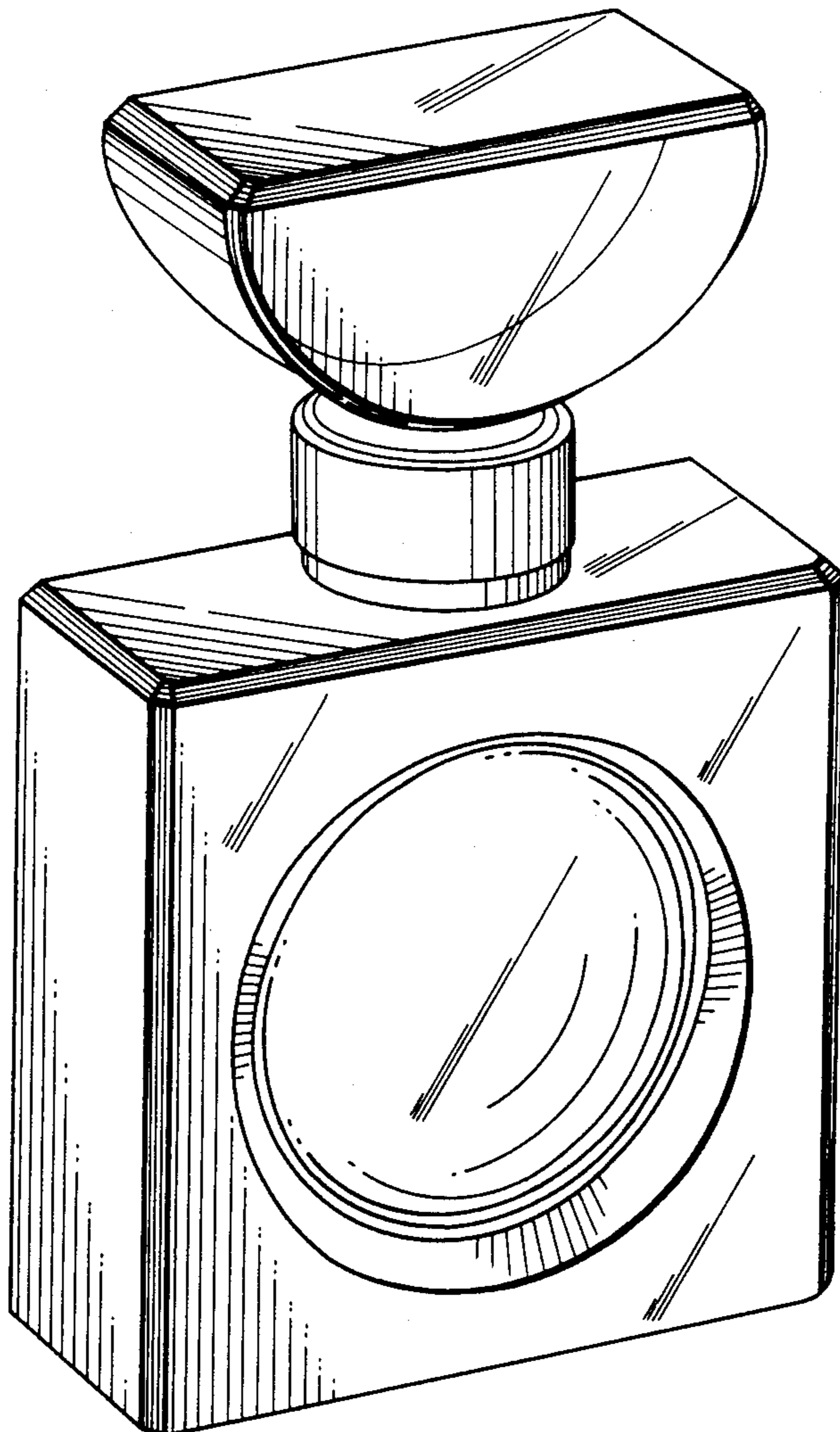
Primary Examiner—Robert C. Spangler
Attorney, Agent, or Firm—Charles J. Fickey

[57] CLAIM

The ornamental design for a bottle or similar article, substantially as shown and described.

DESCRIPTION

FIG. 1 is a front perspective view of a bottle or similar article showing my new design;
 FIG. 2 is a bottom plan view;
 FIG. 3 is a fragmentary front to back sectional view through the center; and
 FIG. 4 is a side elevational view thereof on a reduced scale, the opposite side being a mirror image of the side shown.



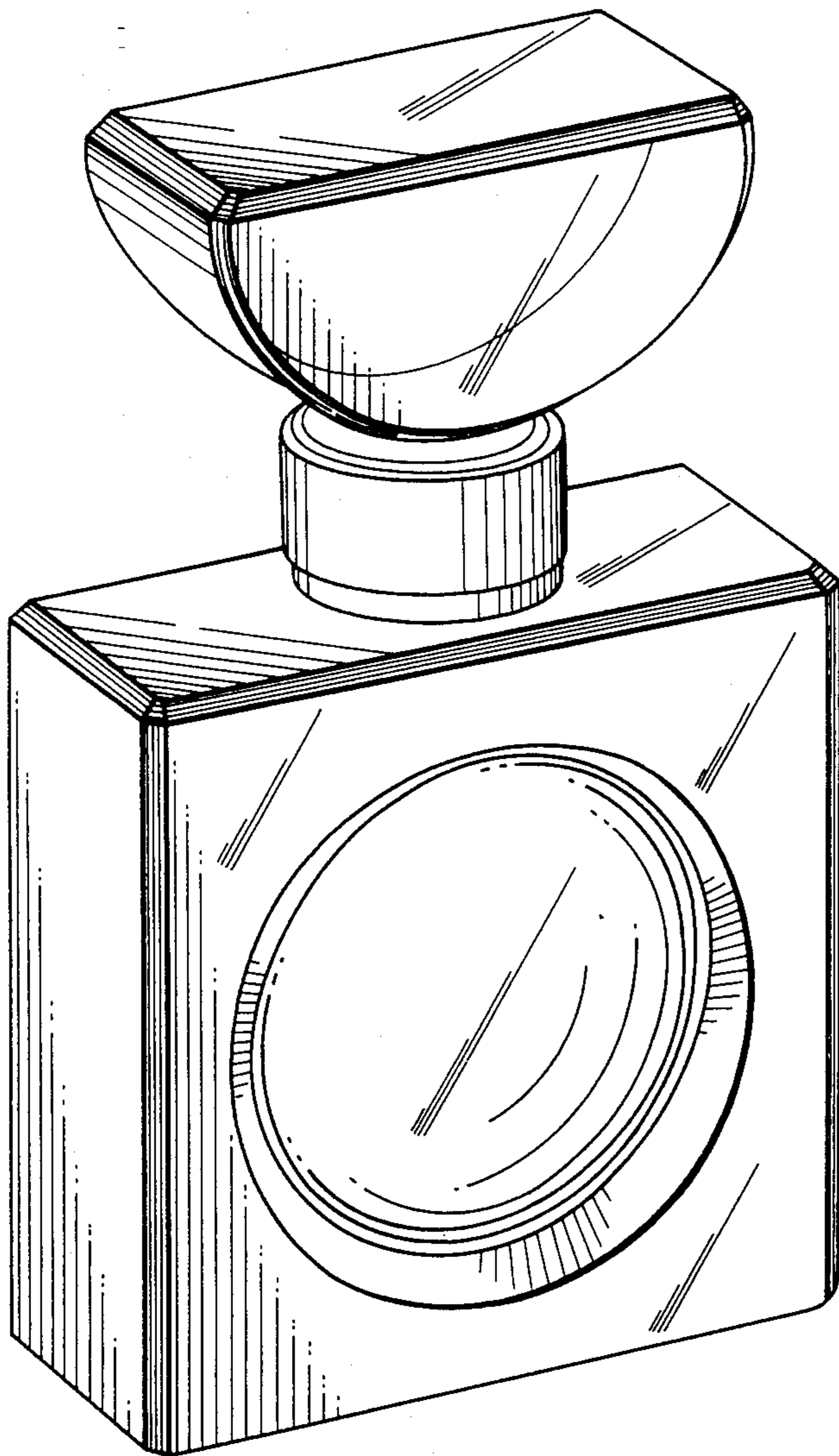


FIG. 1

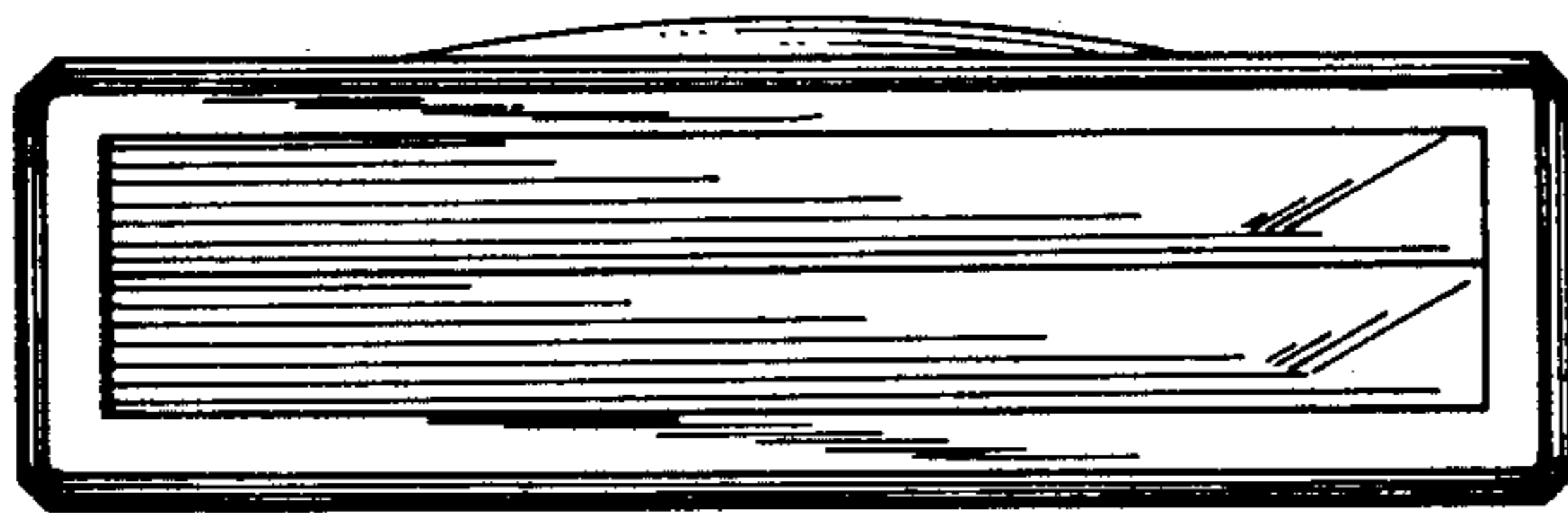


FIG. 2

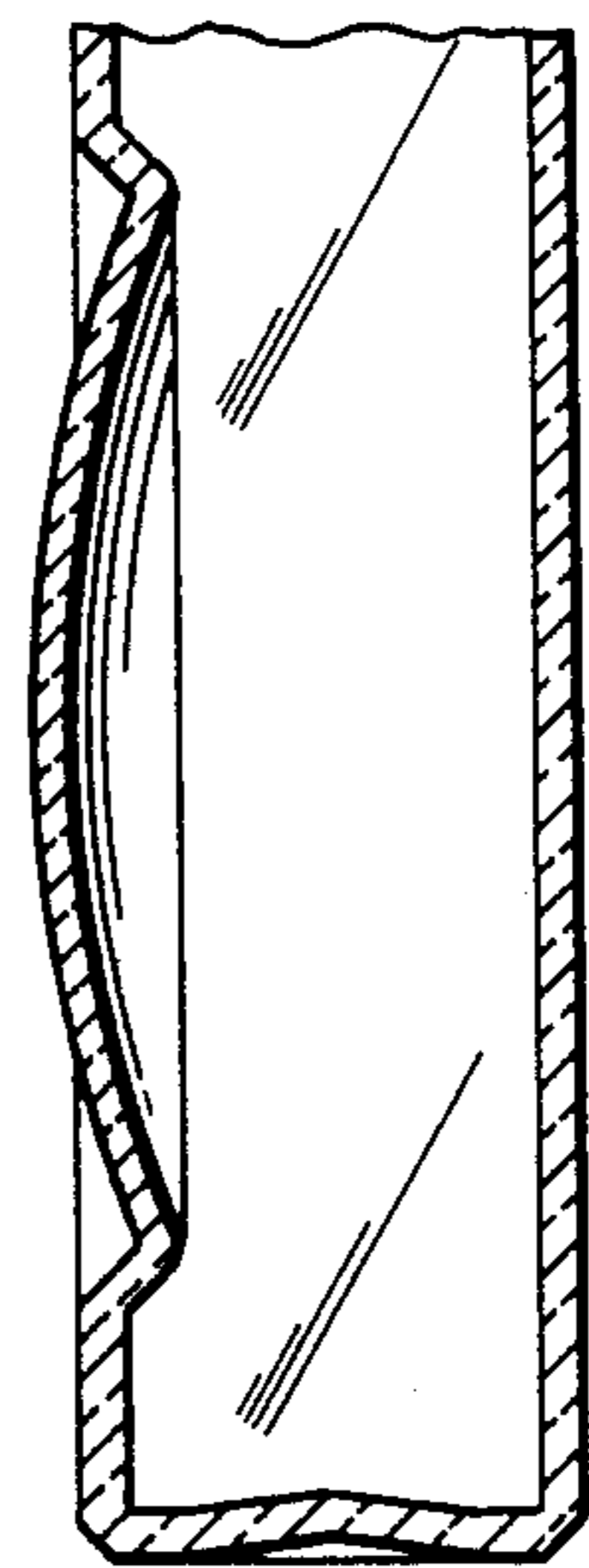


FIG. 3

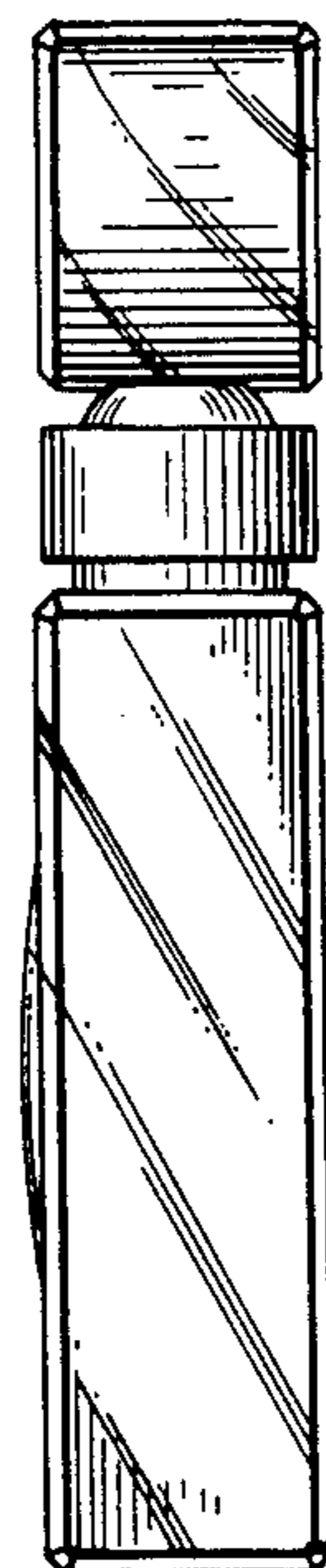


FIG. 4