

[54] EASEL OR SIMILAR ARTICLE

[76] Inventor: Donald B. Smith, R.R. No. 1, Mount Brydges, Ontario, Canada, N0L 1W0

[**] Term: 14 Years

[21] Appl. No.: 572,409

[22] Filed: Apr. 28, 1975

[51] Int. Cl. D6-99

[52] U.S. Cl. D6/184

[58] Field of Search D6/85, 184, 139, 235; D9/191; D59/2 A; D19/90, 91; D34/5 CB; 248/174, 459, 460, 441

[56] References Cited

U.S. PATENT DOCUMENTS

D. 17,386	6/1887	Converse	D9/191
D. 76,246	9/1928	Kratz	D6/139
D. 98,532	2/1936	Lewis	D6/139
3,514,871	6/1970	Tucker	D59/2 A

Primary Examiner—Bruce W. Dunkins

Attorney, Agent, or Firm—Weldon F. Green

[57] CLAIM

The ornamental design for an easel or similar article.

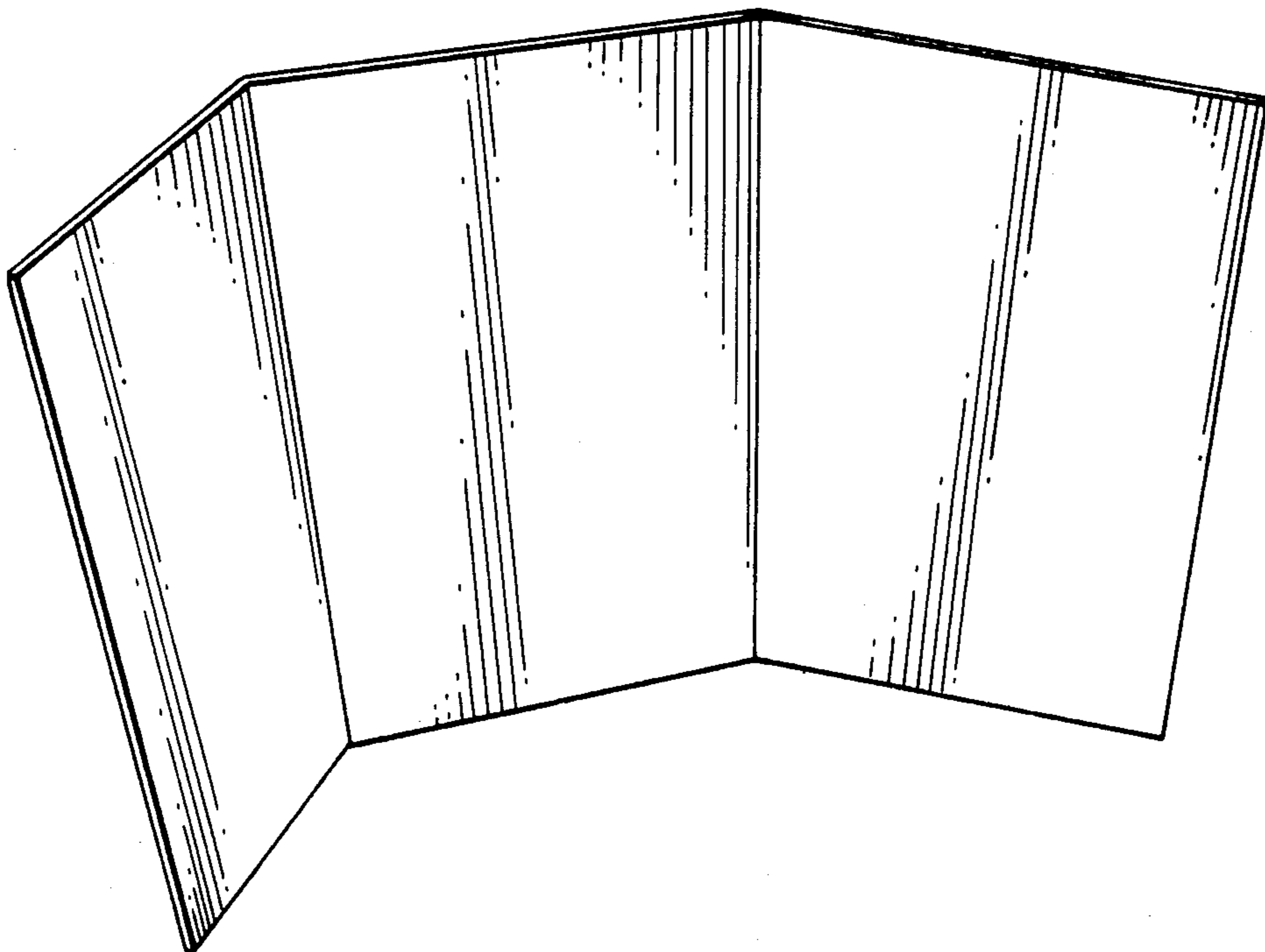
DESCRIPTION

FIG. 1 is a perspective view of the article support taken from a point forwardly of and upwardly to the left of the forwardly facing front inclined panels of each support.

FIG. 2 is a perspective view of the article support of FIG. 1 taken from a point rearwardly of and downwardly to the left below the article support as illustrated in FIG. 1 revealing the upstanding central rear panel and associated gussets merging with the forwardly facing front inclined side panels.

FIG. 3 is a side elevational view of the article support of FIG. 1 taken from the left side of same as viewed in FIG. 1 illustrating the left gusset section supporting the left front inclined panel.

The side elevational view of the article support of FIG. 1 taken from a point to the right of such support as viewed in FIG. 1 has not been shown in that it is a mirror image of the side elevational view of FIG. 3.



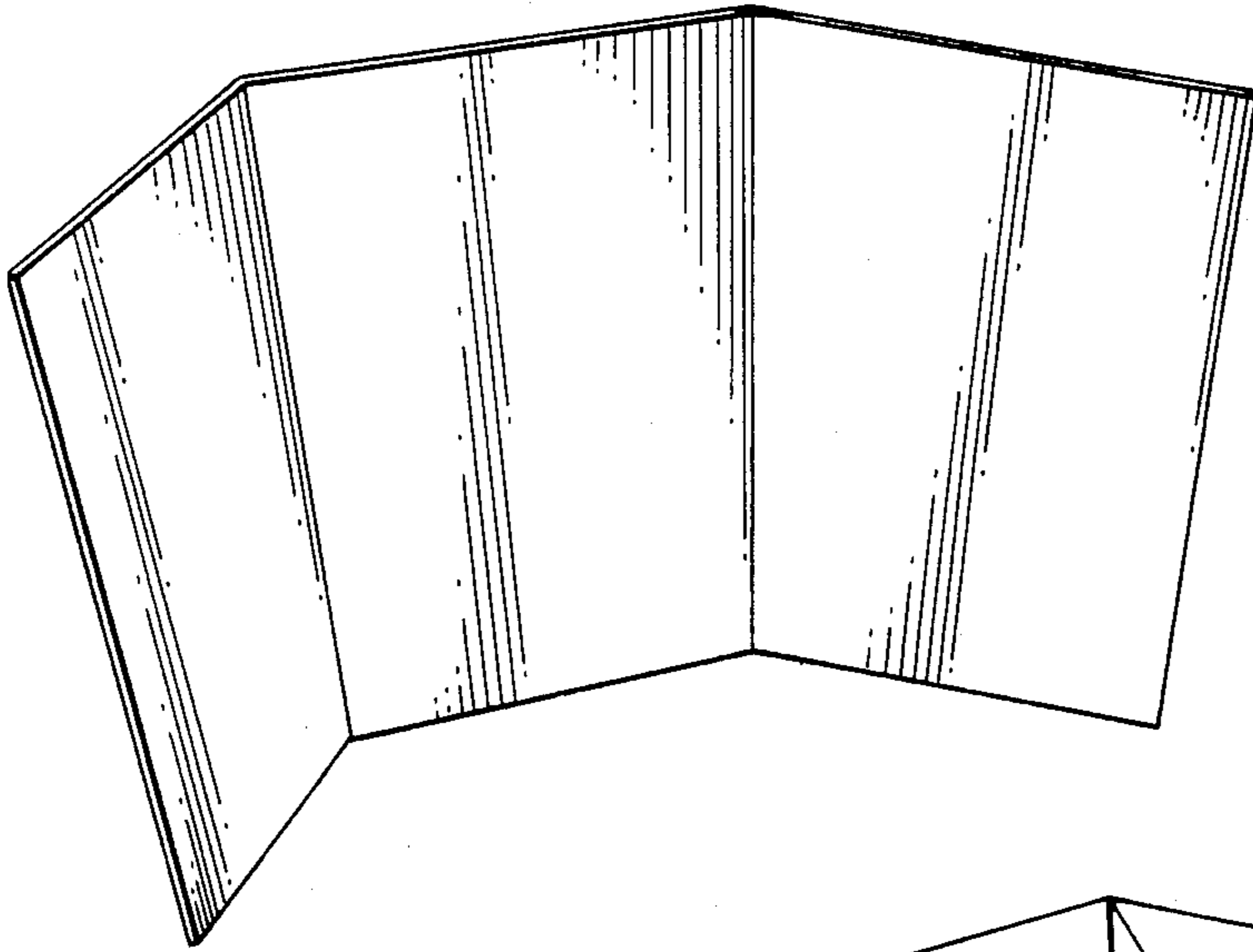


FIG. 1

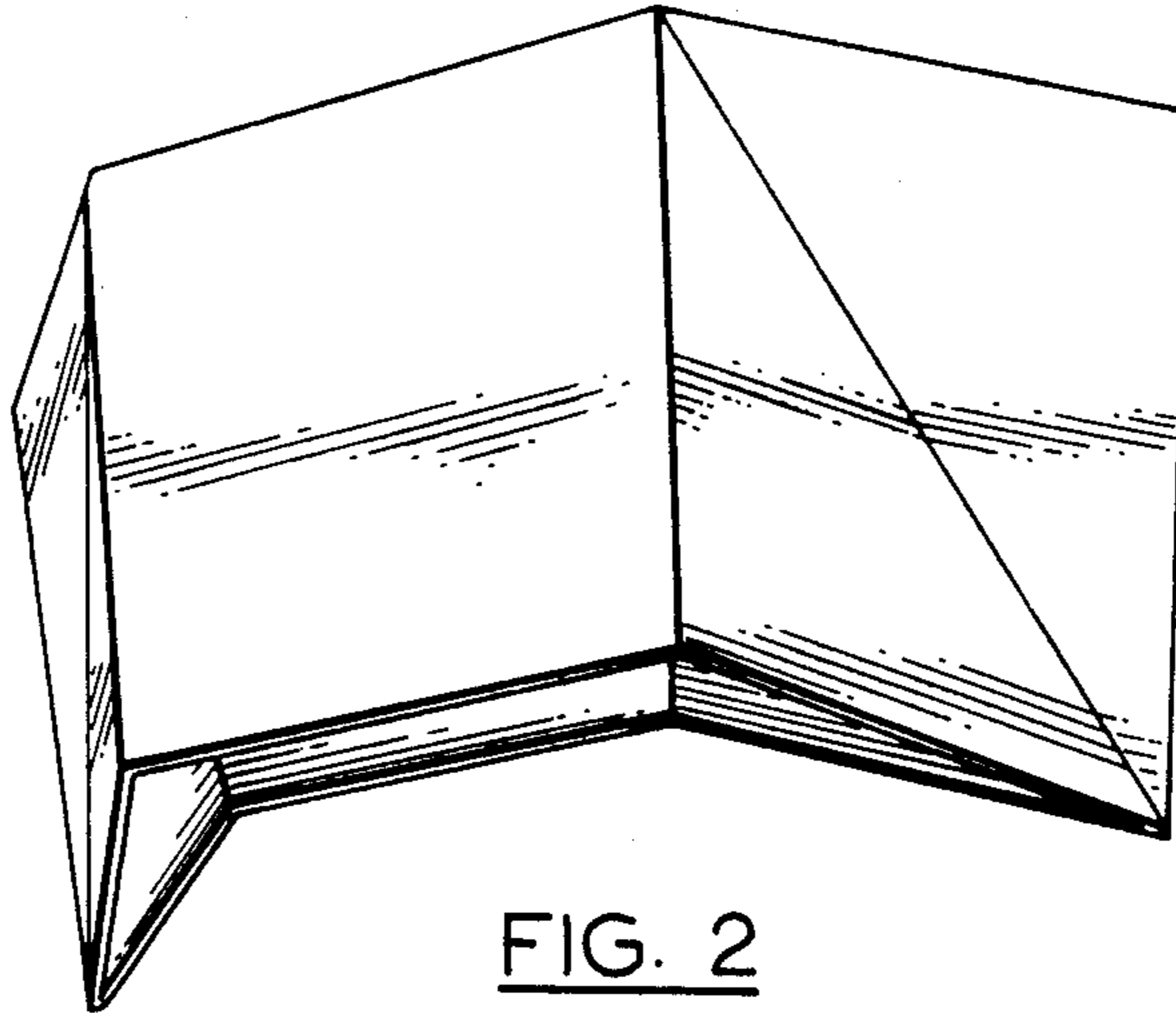


FIG. 2

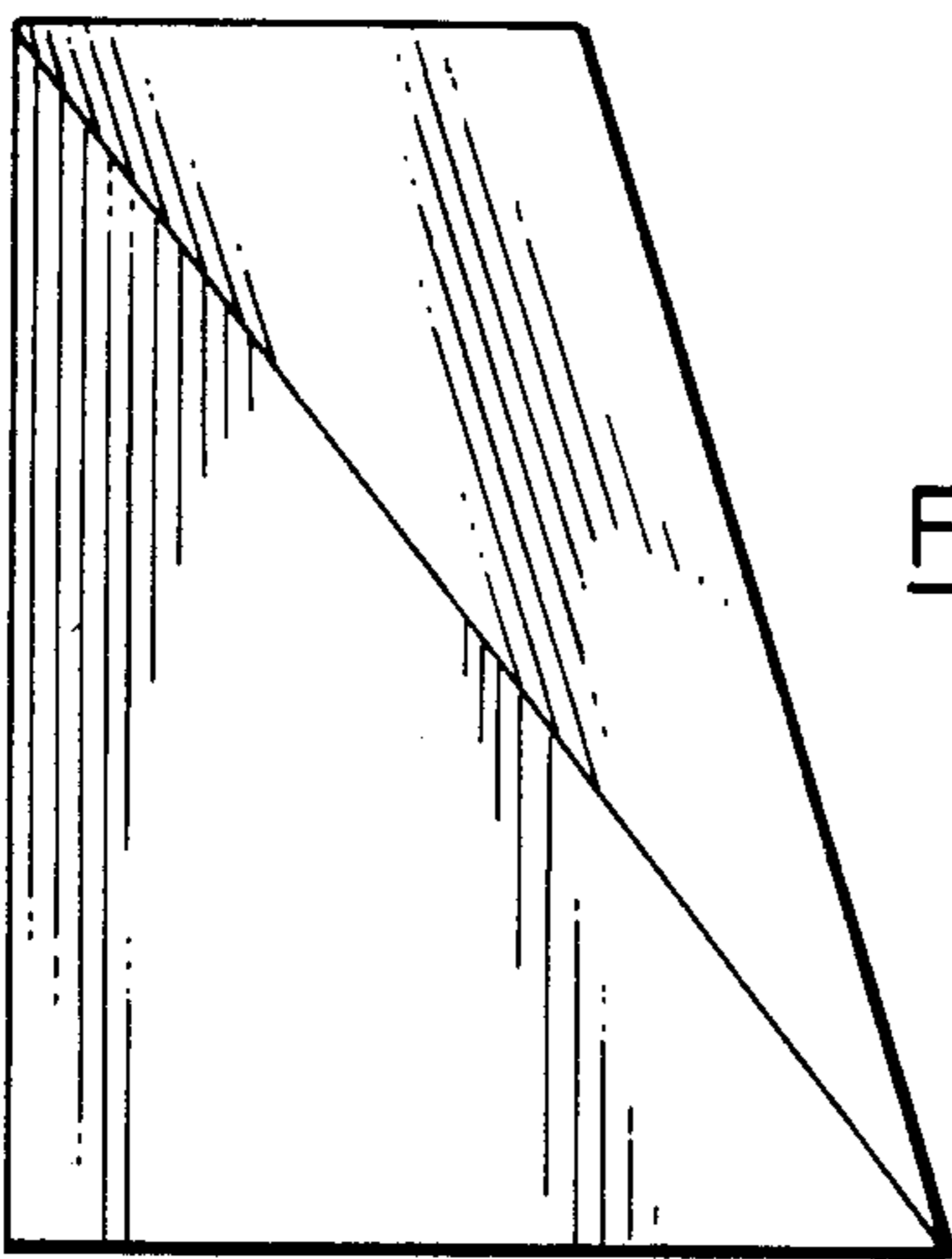


FIG. 3