

[54] STAND FOR TRANSPORTING AND PERMITTING WORK ON MOTORS

[76] Inventor: George Allan Barnes, 5220 NE. 45th Terrace, Kansas City, Mo. 64117

[**] Term: 14 Years

[21] Appl. No.: 625,463

[22] Filed: Oct. 24, 1975

[51] Int. Cl. D6-99

[52] U.S. Cl. D6/85

[58] Field of Search D6/48, 54, 181; D12/155

[56]

References Cited

U.S. PATENT DOCUMENTS

| | | | |
|------------|---------|---------------|-----------|
| D. 147,766 | 10/1947 | Smith | D6/54 |
| D. 160,606 | 10/1950 | Johnsen | D6/181 |
| D. 232,883 | 9/1974 | Macnab | D6/48 |
| 3,935,830 | 2/1976 | Cox | D12/155 X |

Primary Examiner—Bruce W. Dunkins
Attorney, Agent, or Firm—Gordon D. Schmidt

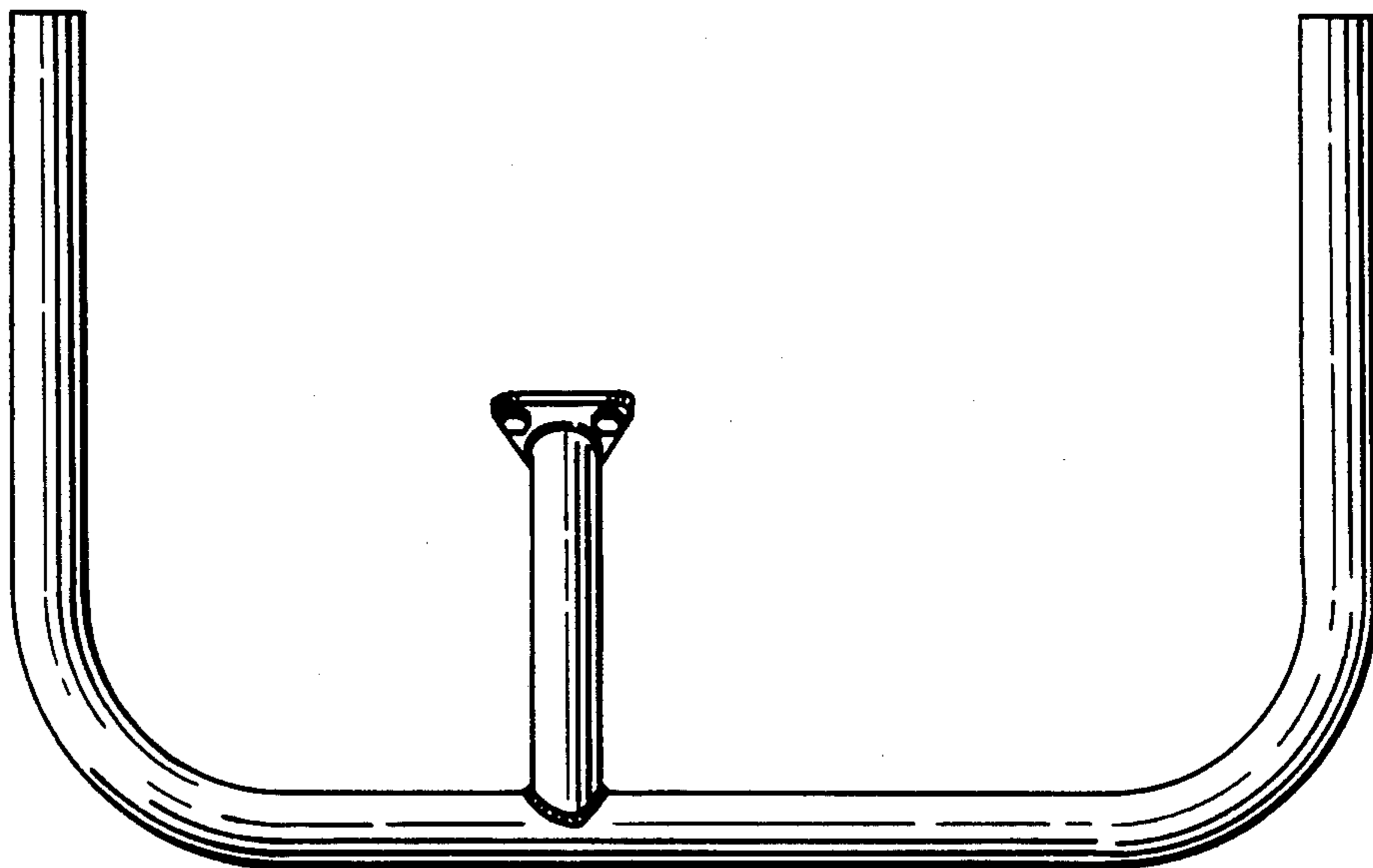
[57]

CLAIM

The ornamental design for a stand for transporting and permitting work on motors, as shown and described.

DESCRIPTION

FIG. 1 is a side elevational view of a support stand for permitting work on motors showing my design; FIG. 2 is an end elevational view; and FIG. 3 is a perspective view wherein a second support stand and a motor are shown in dotted lines to illustrate normal use.



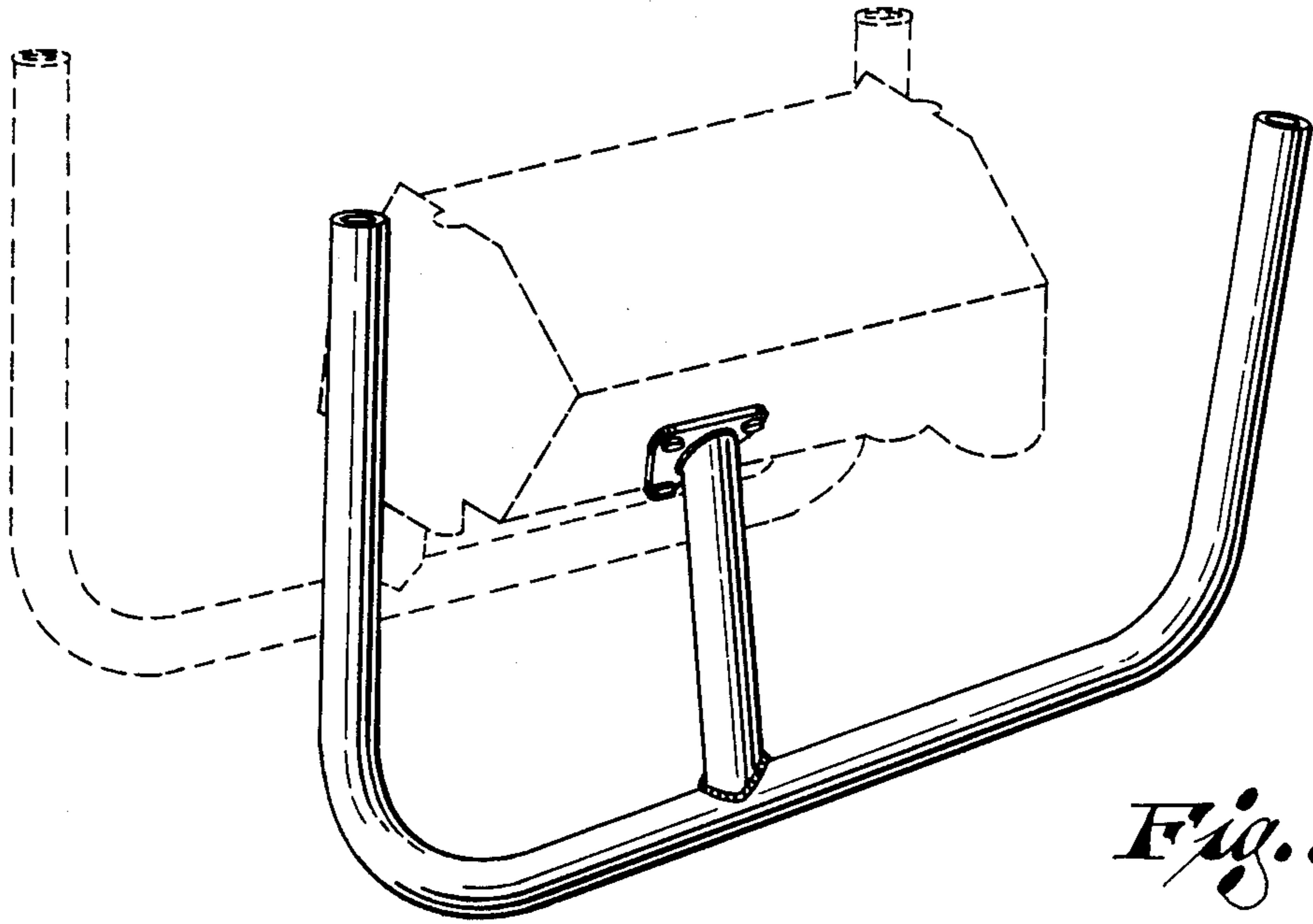


Fig. 3.

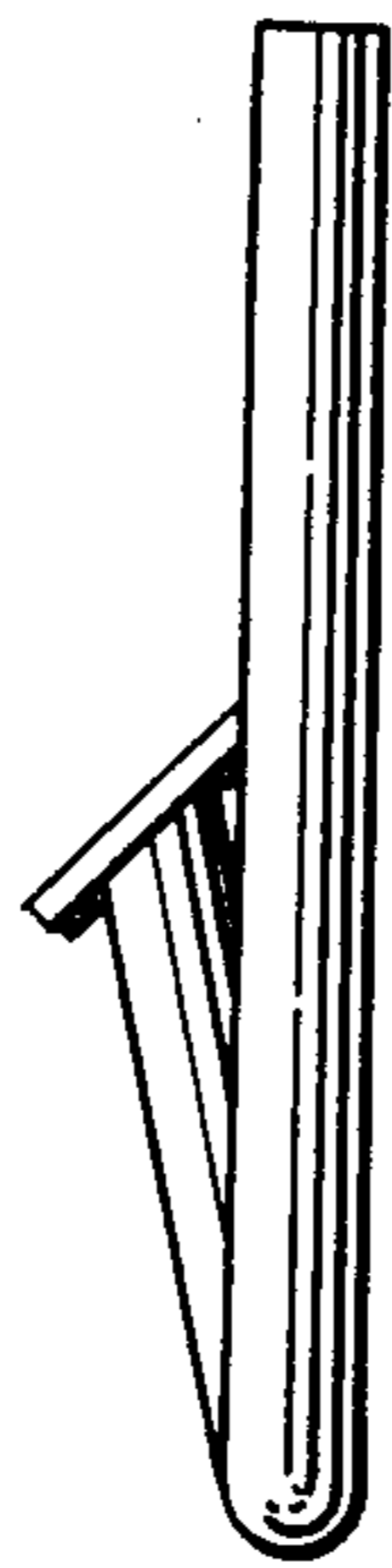


Fig. 2.

Fig. 1.

