

[54] TOY MEASURING WORM

[75] Inventor: Hiroichi Yonezawa, Matsudo, Japan

[73] Assignee: Kabushiki Kaisha Yoneya Gangu

[\*\*] Term: 14 Years

[21] Appl. No.: 742,350

[22] Filed: Nov. 16, 1976

[30] Foreign Application Priority Data

July 22, 1976 Japan ..... 51-28160

[51] Int. Cl. .... D21-01

[52] U.S. Cl. .... D34/15 B

[58] Field of Search ..... D34/15 R, 15 C, 15 B,  
D34/2 A, 2 R, 2 D, 2 B, 4 R; 46/115-118,  
123-124, 174-177

[56] References Cited

U.S. PATENT DOCUMENTS

2,728,168	12/1955	Gier .....	D34/2 R
2,738,617	3/1956	Capehart .....	D34/2 R
2,853,831	9/1958	Bischoff .....	D34/2 R
3,490,172	1/1970	Schwartz .....	46/124

Primary Examiner—Joel Stearman  
Assistant Examiner—C. A. Rademaker  
Attorney, Agent, or Firm—L. Lawton Rogers, III

[57] CLAIM

The ornamental design for a toy measuring worm, substantially as shown.

DESCRIPTION

FIG. 1 is a front elevational view of a toy measuring worm showing my new design;  
FIG. 2 is a rear elevational view thereof;  
FIG. 3 is a top plan view thereof;  
FIG. 4 is a bottom plan view thereof;  
FIG. 5 is a right side elevational view thereof;  
FIG. 6 is a left side elevational view thereof; and,  
FIG. 7 is a perspective view thereof.

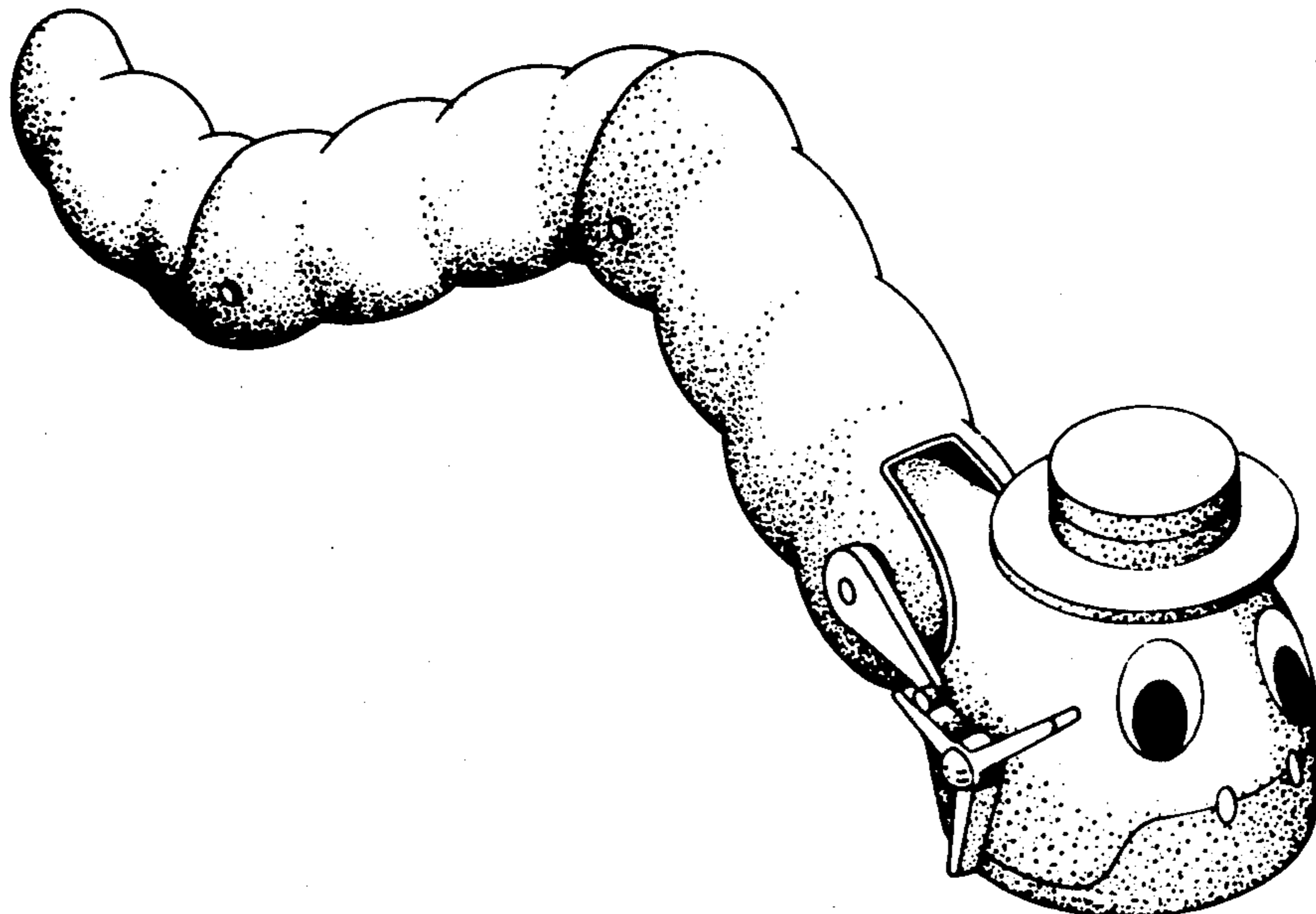


FIG. 1

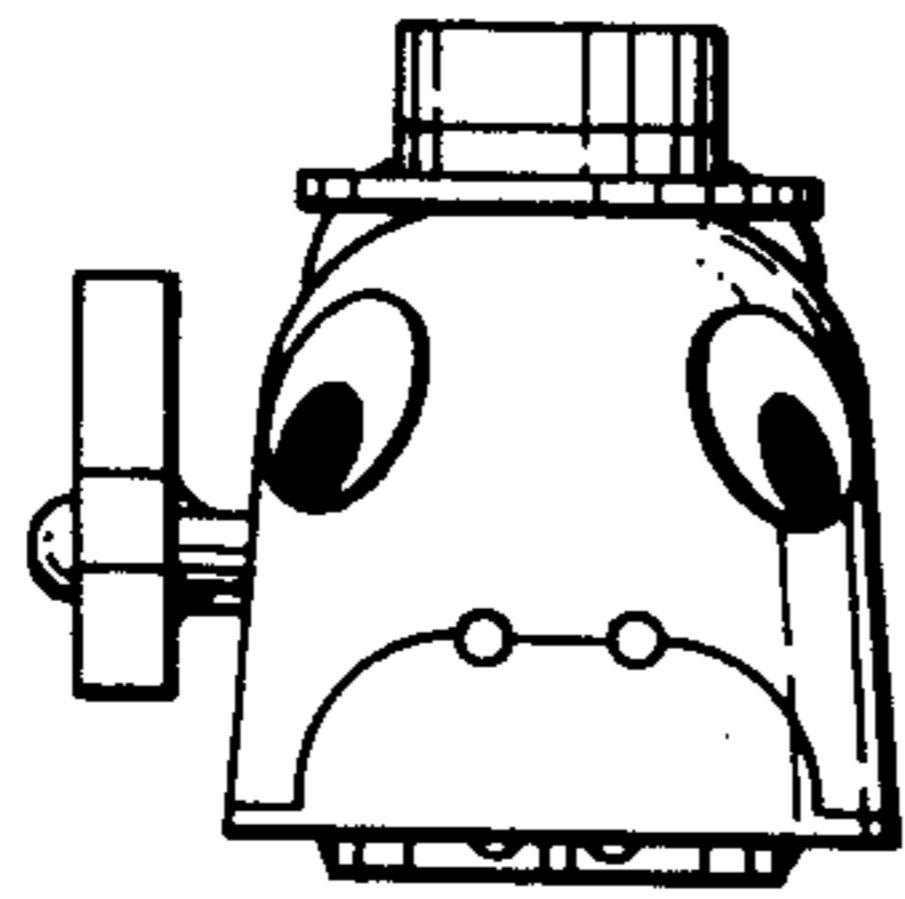


FIG. 2

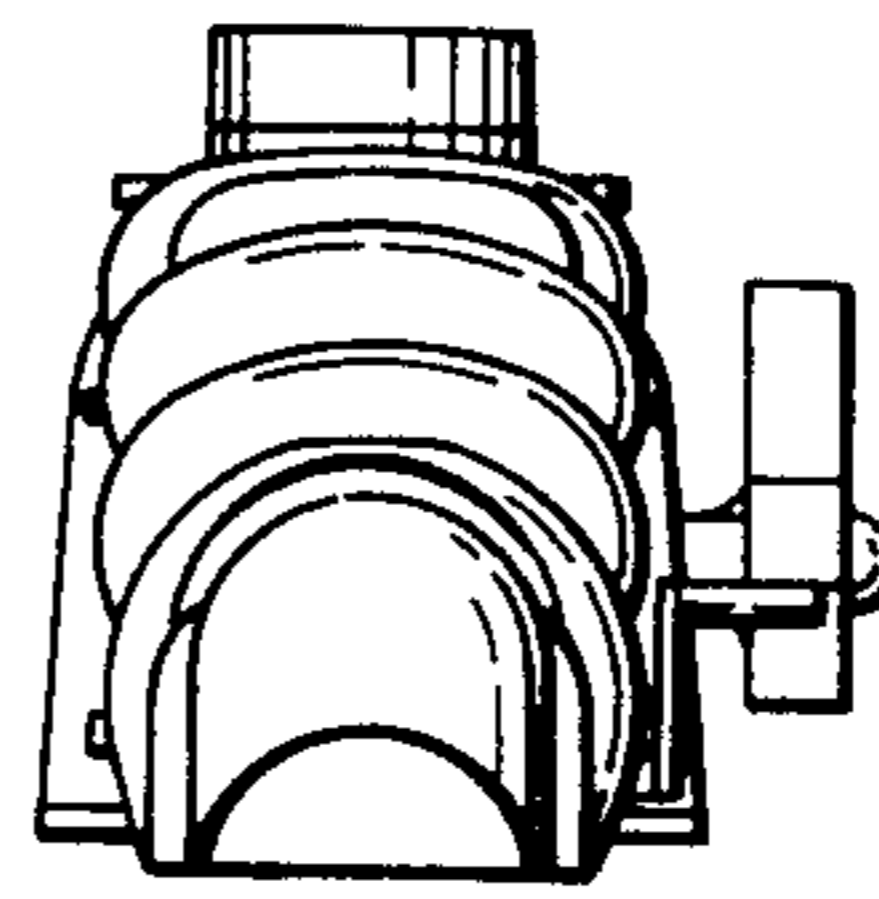


FIG. 3

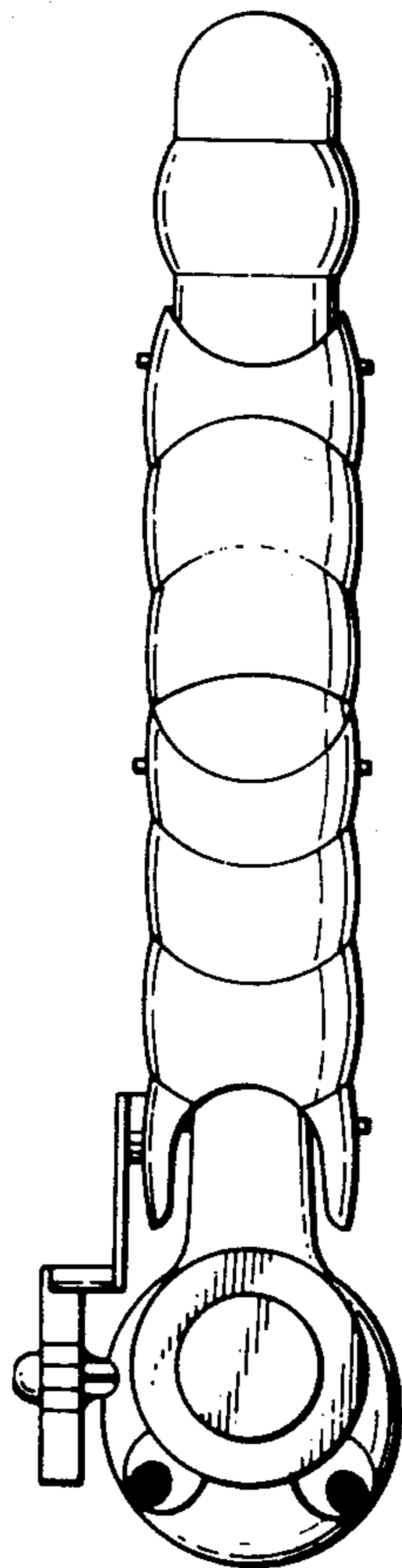


FIG. 4

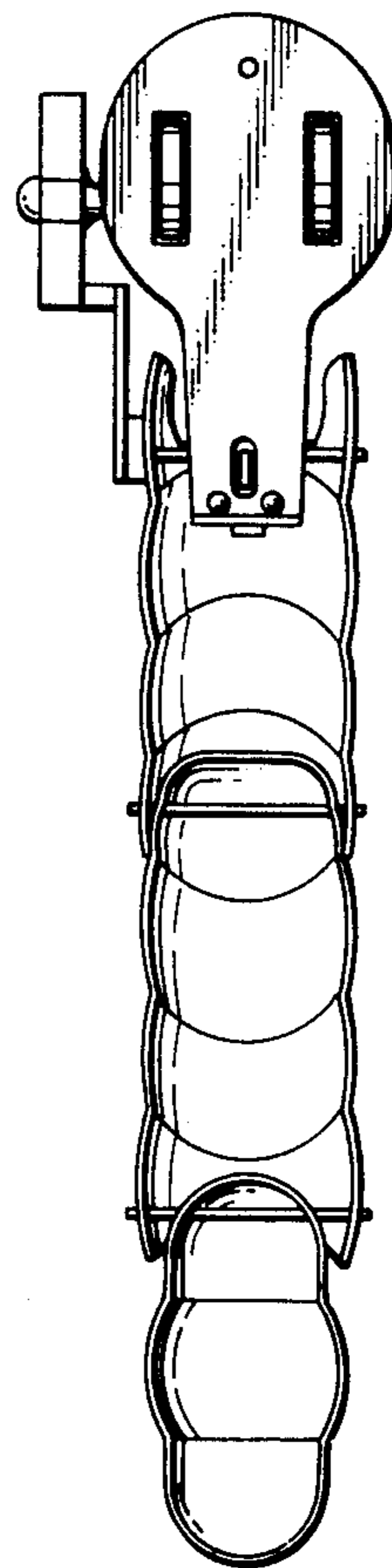


FIG. 5

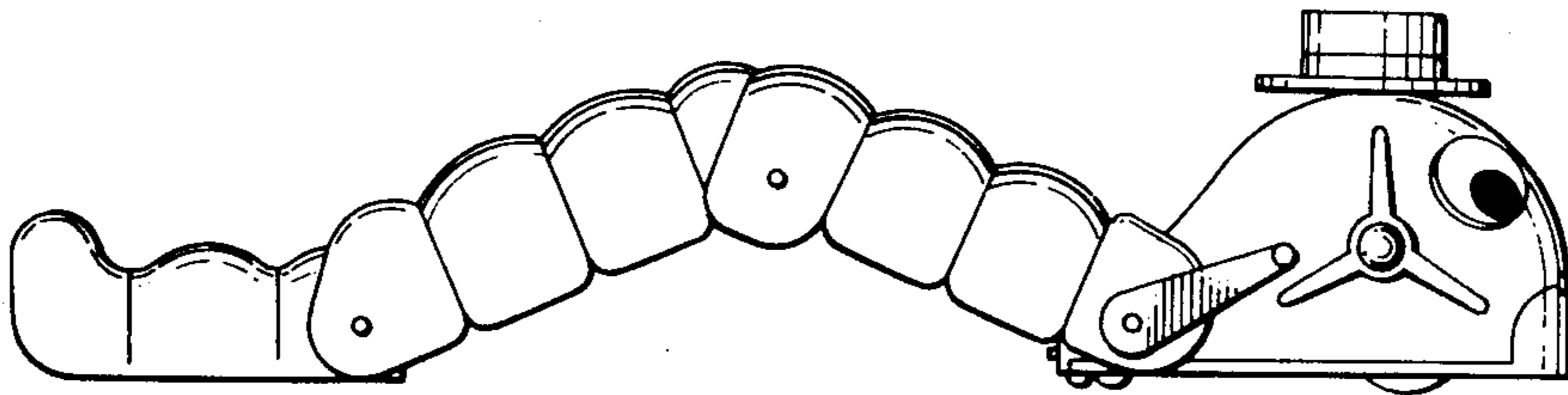


FIG. 6

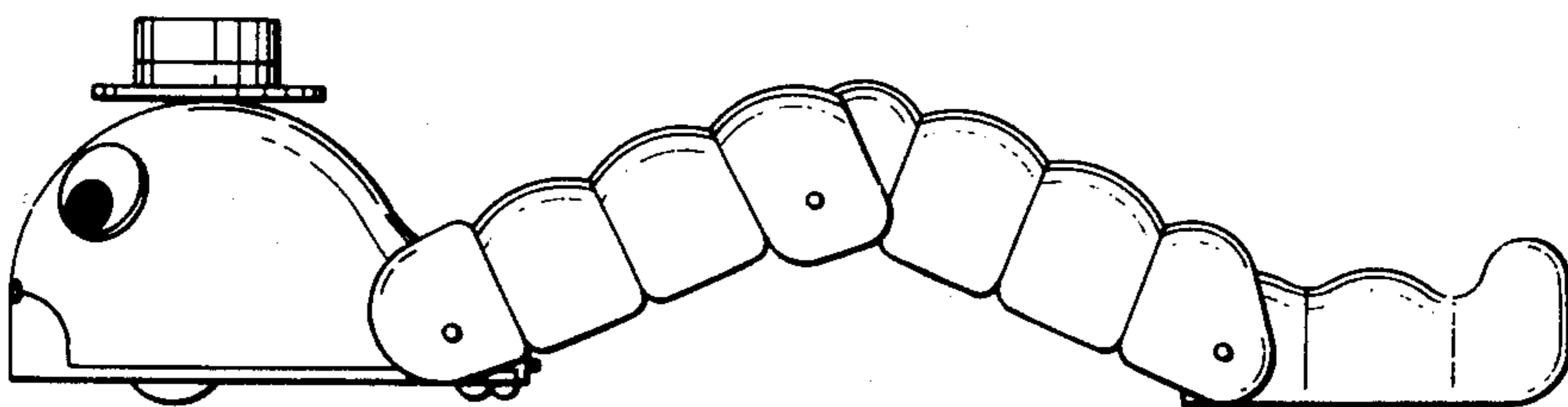


FIG. 7

