

[54] SMOKING PIPE

[76] Inventor: Charles W. Frost, 1778 A Spanish Trail, Columbia, S.C. 29210

[**] Term: 14 Years

[21] Appl. No.: 637,044

[22] Filed: Dec. 2, 1975

[51] Int. Cl. D27-02

[52] U.S. Cl. D27/3

[58] Field of Search D27/2-5, D27/7, 51; D32/1 R; 131/170 R, 8 A, 173, 171 R, 171 A, 178, 180, 186, 187, 191, 200

[56] References Cited

U.S. PATENT DOCUMENTS

183,626	10/1876	Bingham	D27/2 X
D. 230,775	3/1974	Frost	D27/3
3,936,048	2/1976	Dunlap et al.	D27/3 X

OTHER PUBLICATIONS

Science and Invention, July 1927, p. 246 - Homemade Hookah top center.

National Lampoon, Sept. 1974, p. 77 - Sativa "Boiler" upper left.

Primary Examiner—Joel Stearman

Assistant Examiner—Louis S. Zarfes

Attorney, Agent, or Firm—John S. Roberts, Jr.

[57] CLAIM

The ornamental design for a smoking pipe, as shown.

DESCRIPTION

FIG. 1 is a perspective view of a smoking pipe showing my new design;

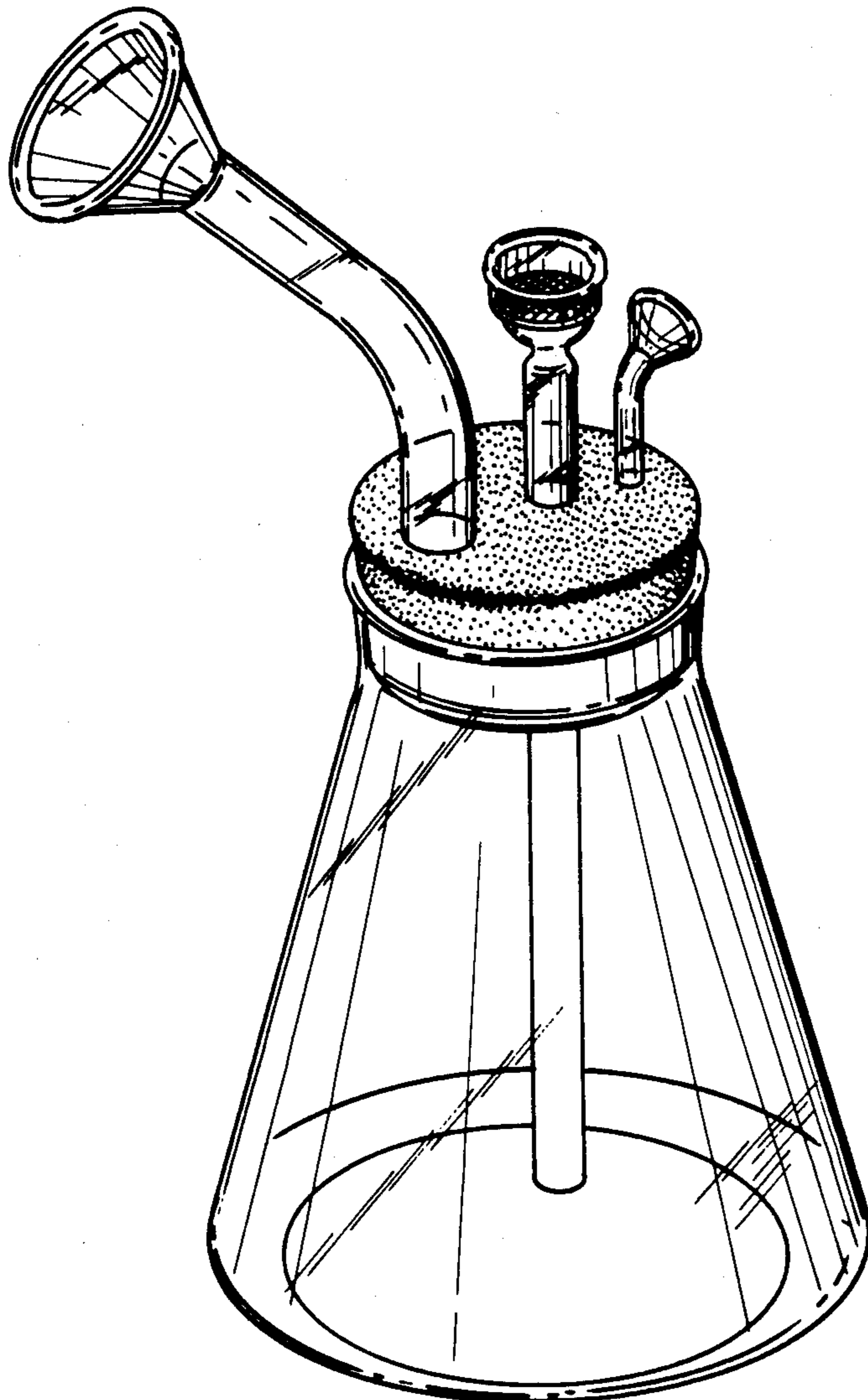
FIG. 2 is a right side elevational view thereof;

FIG. 3 is a front elevational view thereof;

FIG. 4 is a top plan view thereof;

FIG. 5 is a bottom plan view thereof; and

FIG. 6 is a longitudinal sectional view thereof.



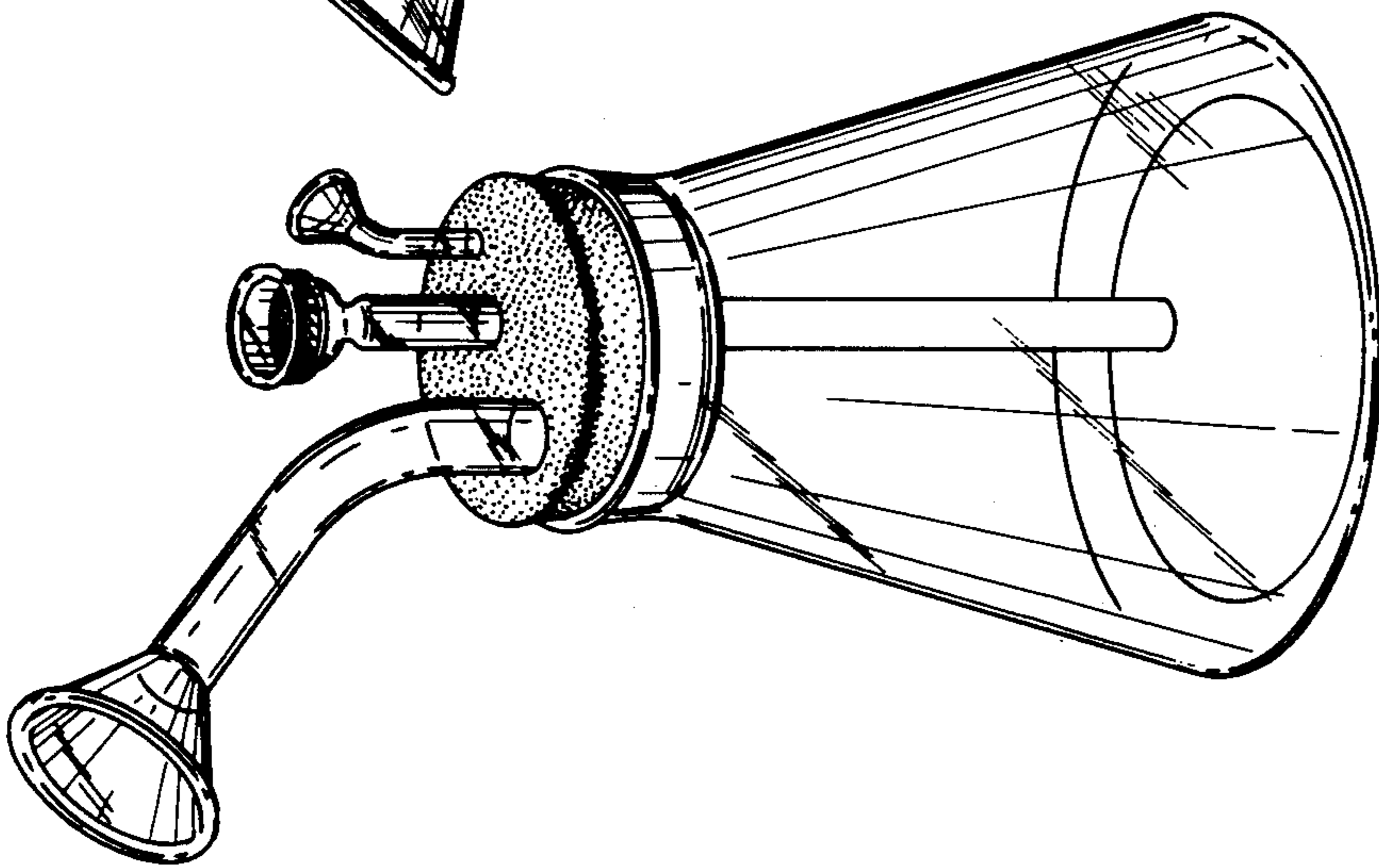


FIG. 1

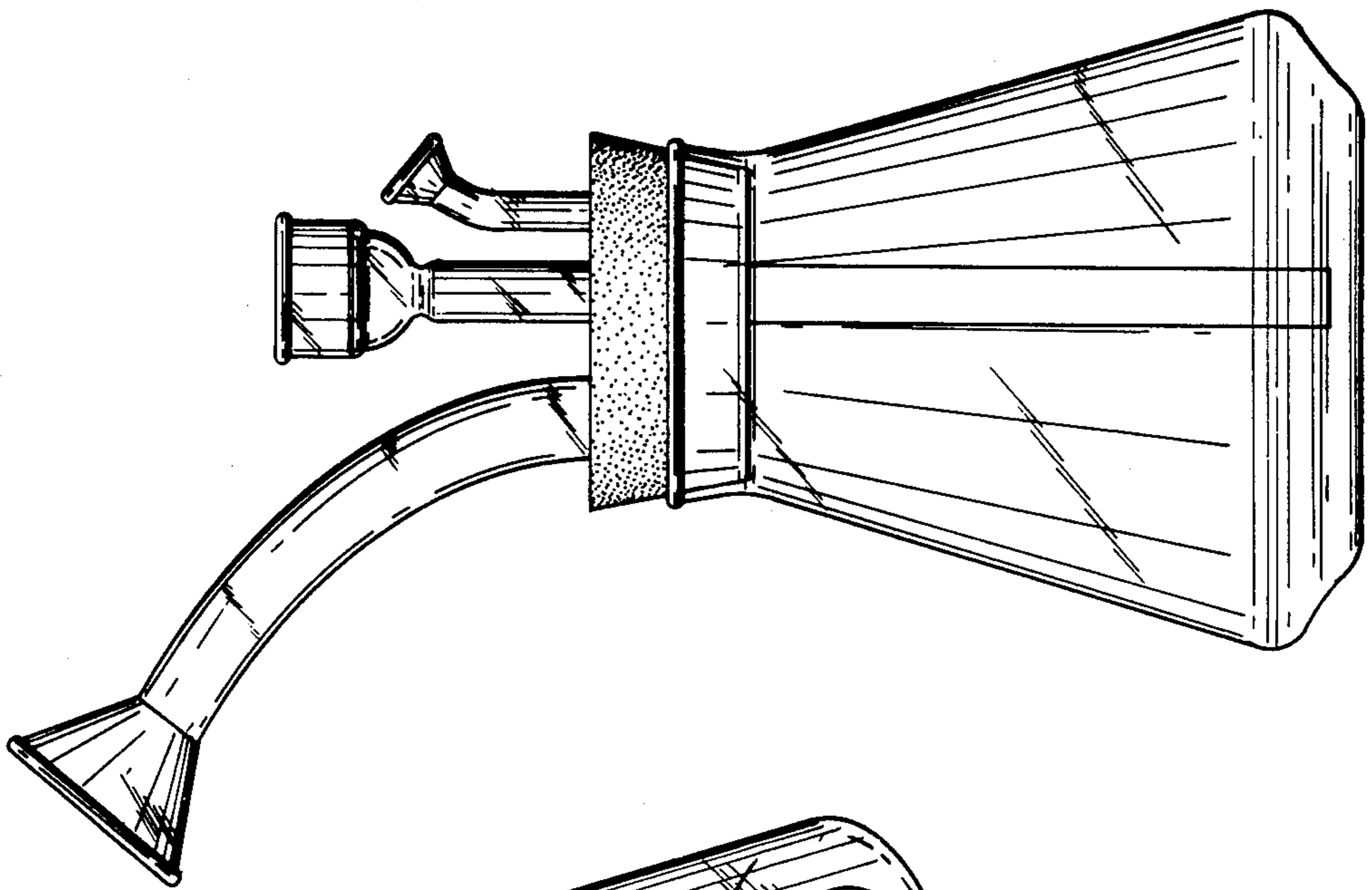


FIG. 2

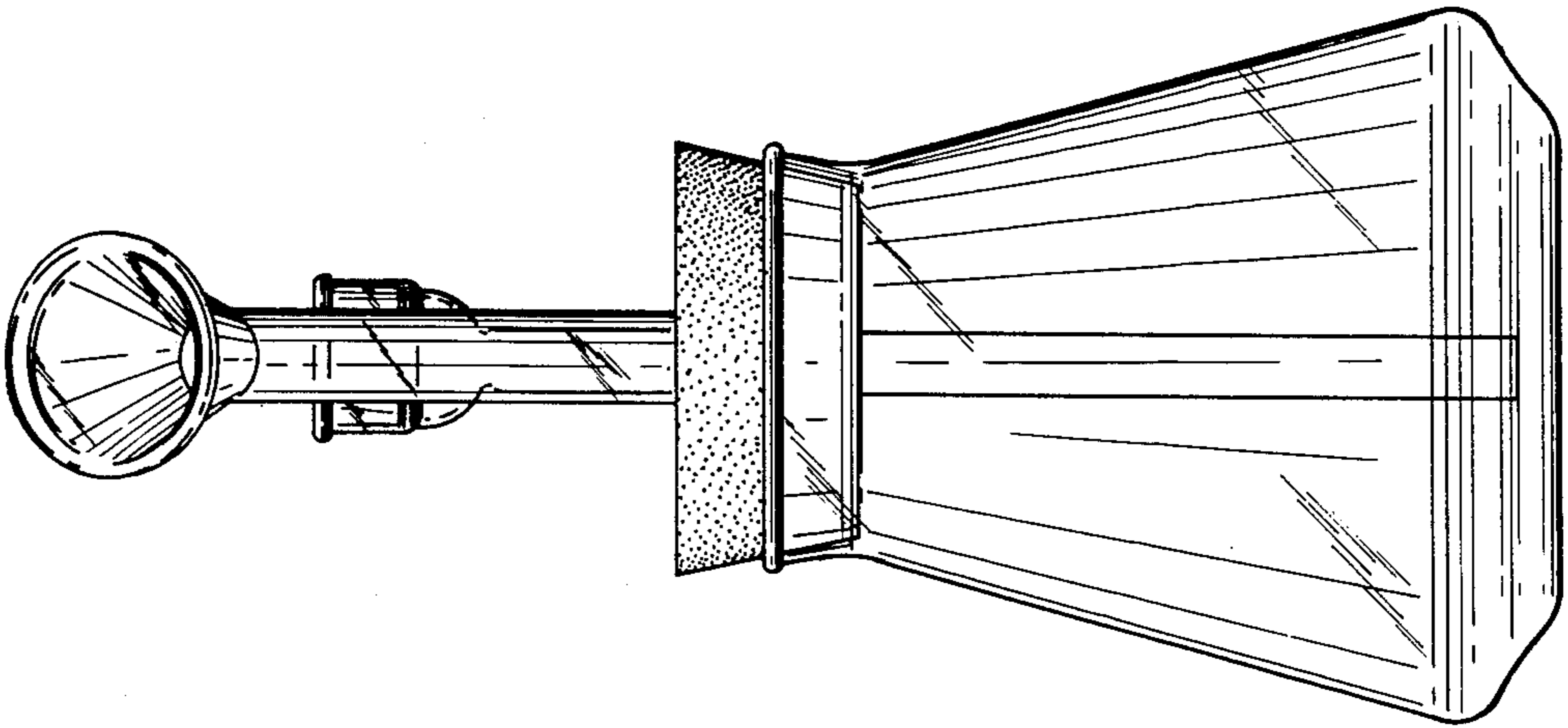


FIG. 3

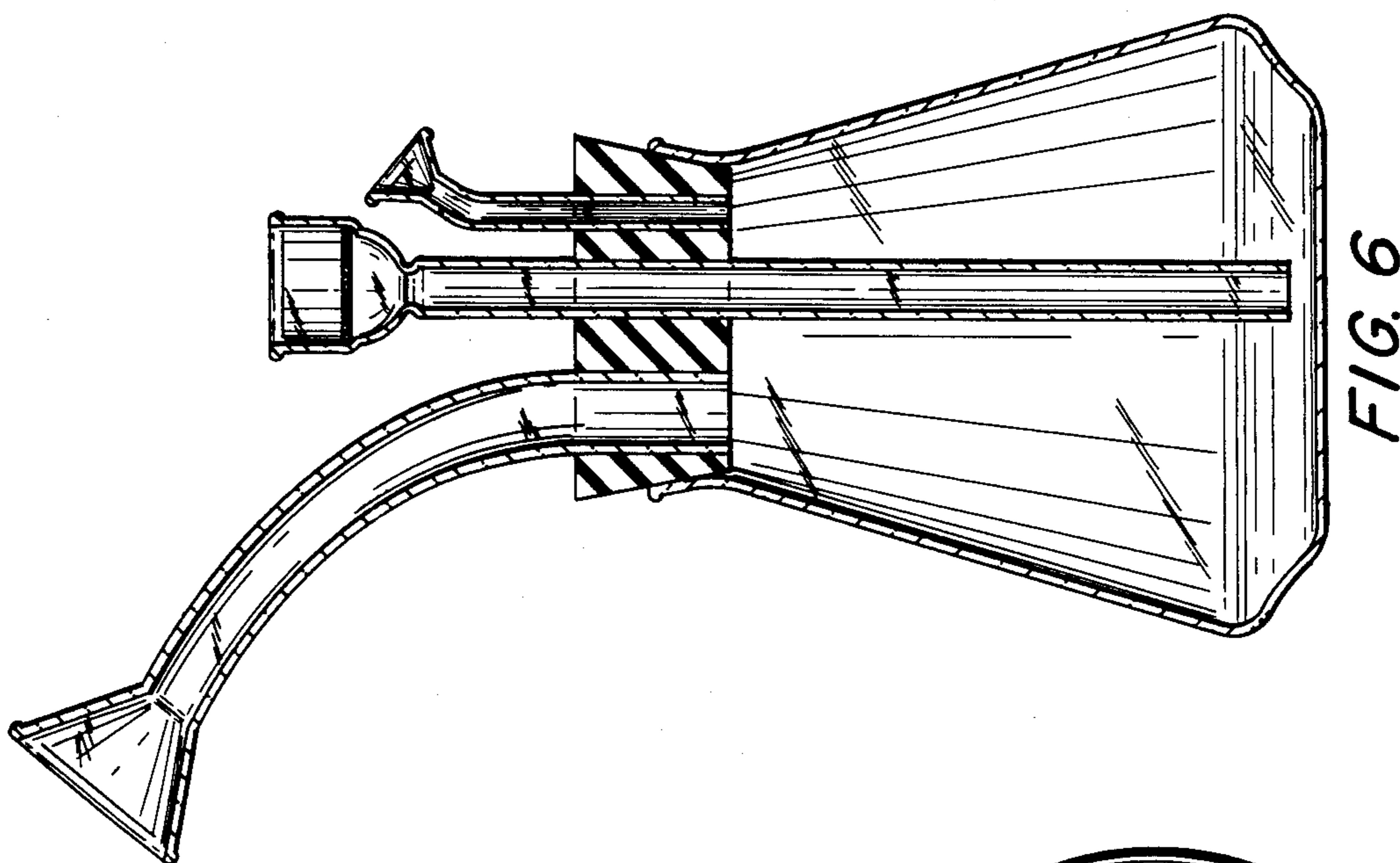


FIG. 6

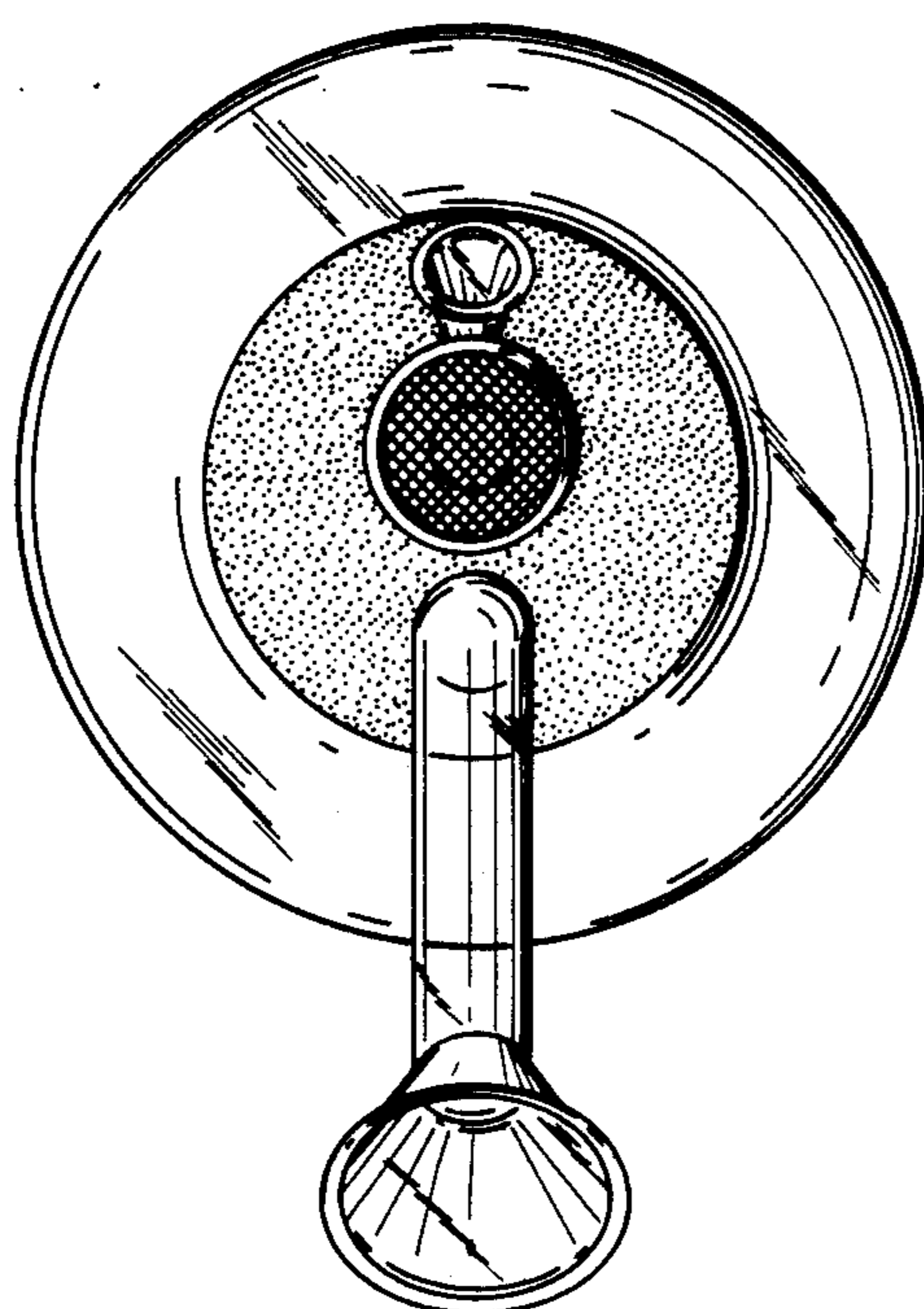


FIG. 4

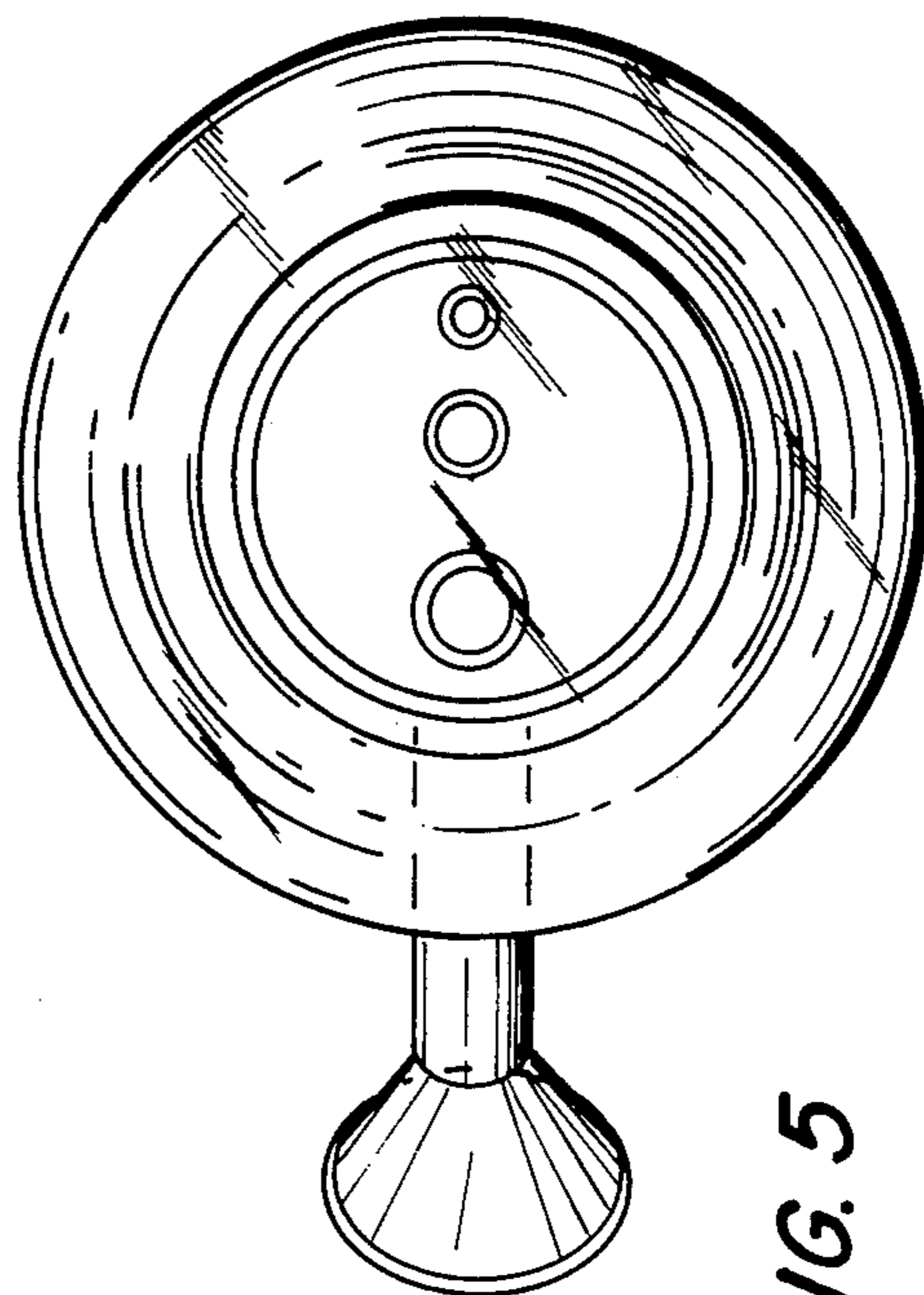


FIG. 5