

- [54] FILTER ASSEMBLY
- [75] Inventor: David J. Rosenberg, Glen Cove, N.Y.
- [73] Assignee: Pall Corporation, Glen Cove, N.Y.
- [**] Term: 14 Years
- [21] Appl. No.: 657,674
- [22] Filed: Feb. 12, 1976
- [51] Int. Cl. D23-99; D24-02;
D24-99
- [52] U.S. Cl. D24/52
- [58] Field of Search 210/493, 446, 499;
D24/52, 99; D23/4; 128/214 C, 214 B, 214 R

[56] **References Cited**
U.S. PATENT DOCUMENTS

- D. 235,035 4/1975 Rosenberg D23/4 X
- D. 238,456 1/1976 Mouwen et al. D24/52

- 3,765,537 10/1973 Rosenberg 210/493
- 3,935,111 1/1976 Bently 210/446
- 4,014,797 3/1977 Raines et al. 210/446

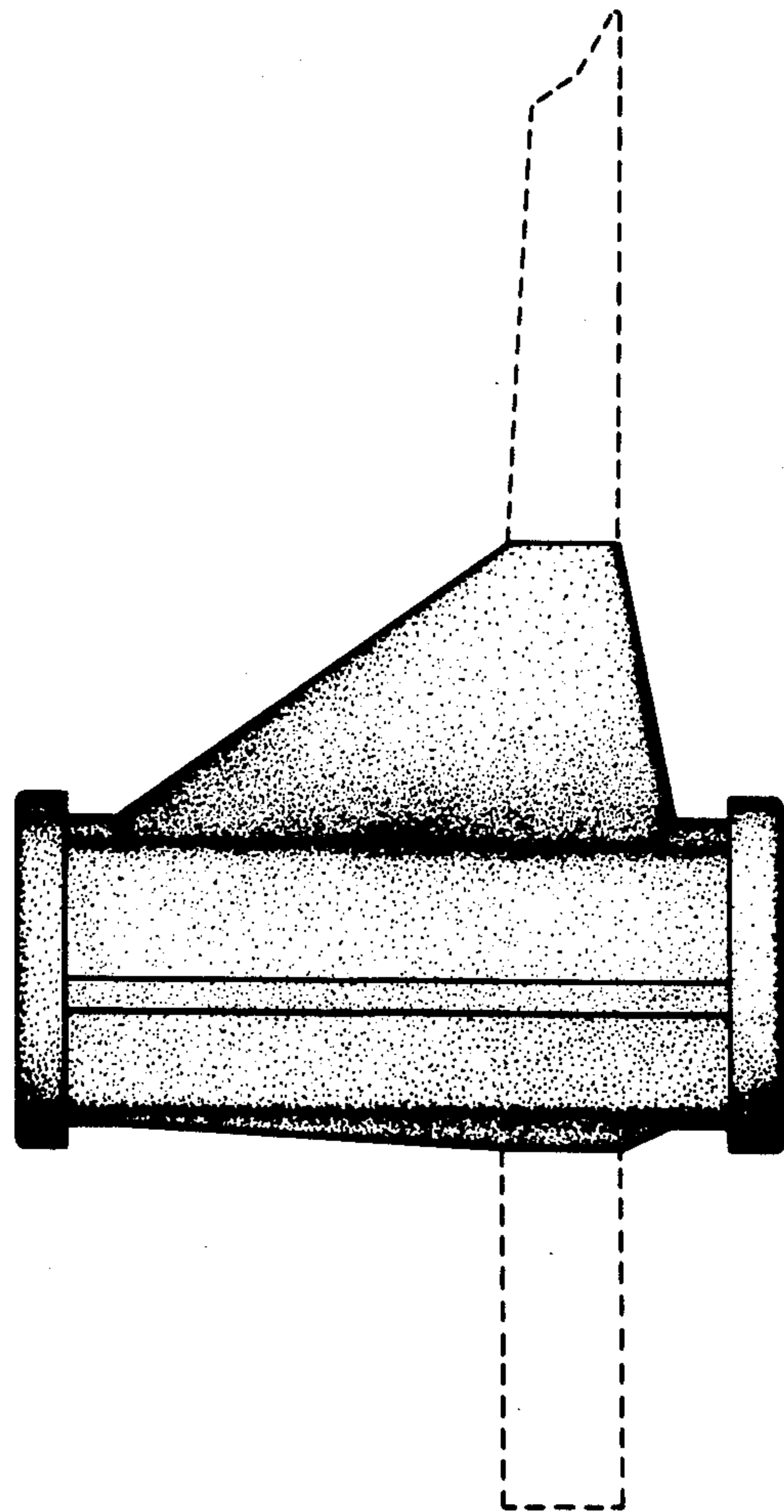
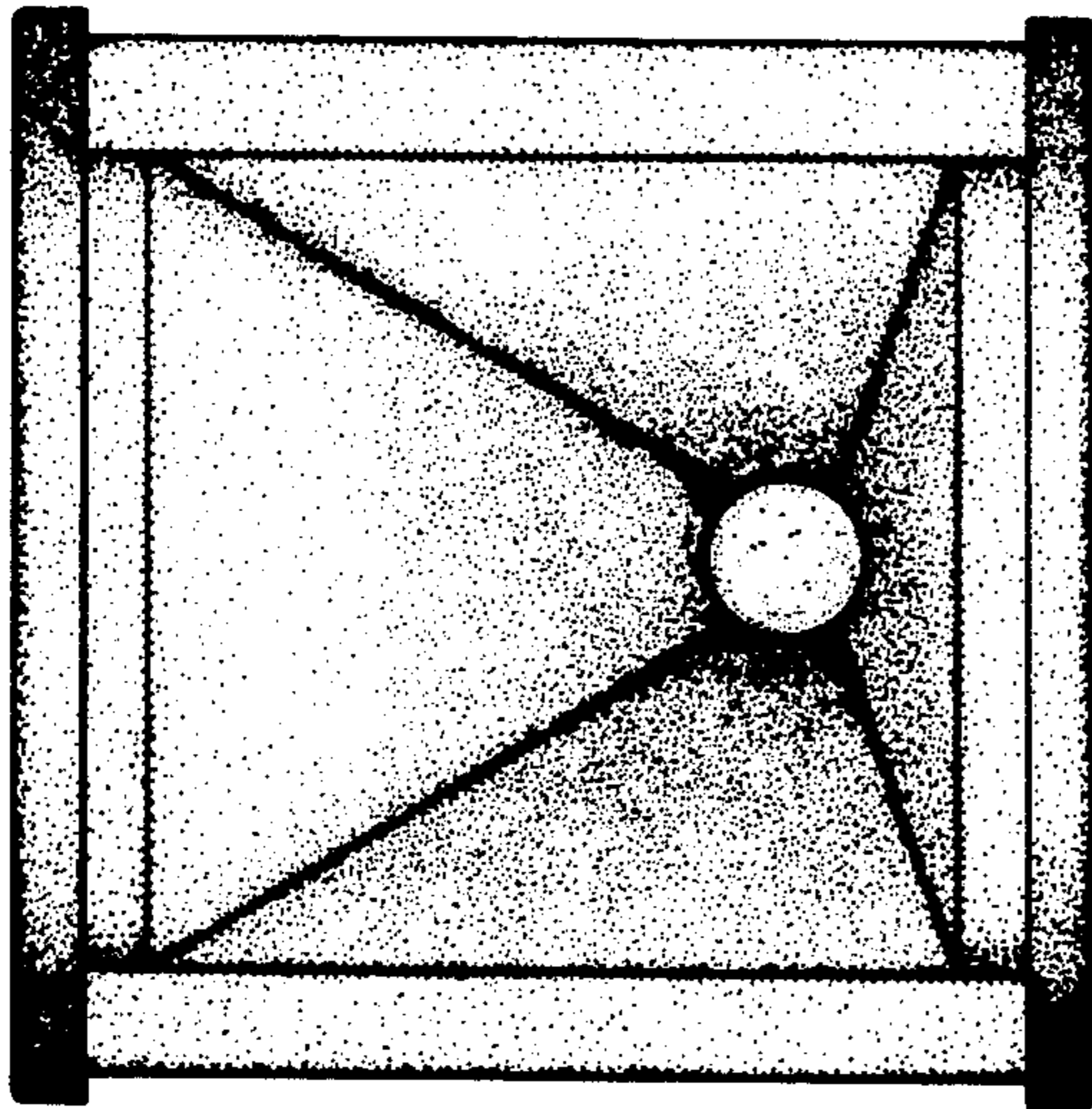
Primary Examiner—Bernard Ansher
Attorney, Agent, or Firm—John R. Janes

[57] **CLAIM**

The ornamental design for a filter assembly, substantially as shown and described.

DESCRIPTION

FIG. 1 is a top plan view of a blood filter showing my new design;
 FIG. 2 is a side-elevational view of one side thereof; the opposite side being the same as the side as shown;
 FIG. 3 is an end-elevational view thereof; the opposite end being similar to the end shown, and
 FIG. 4 is a view of the bottom thereof.
 The broken lines are shown for illustrative purposes only.



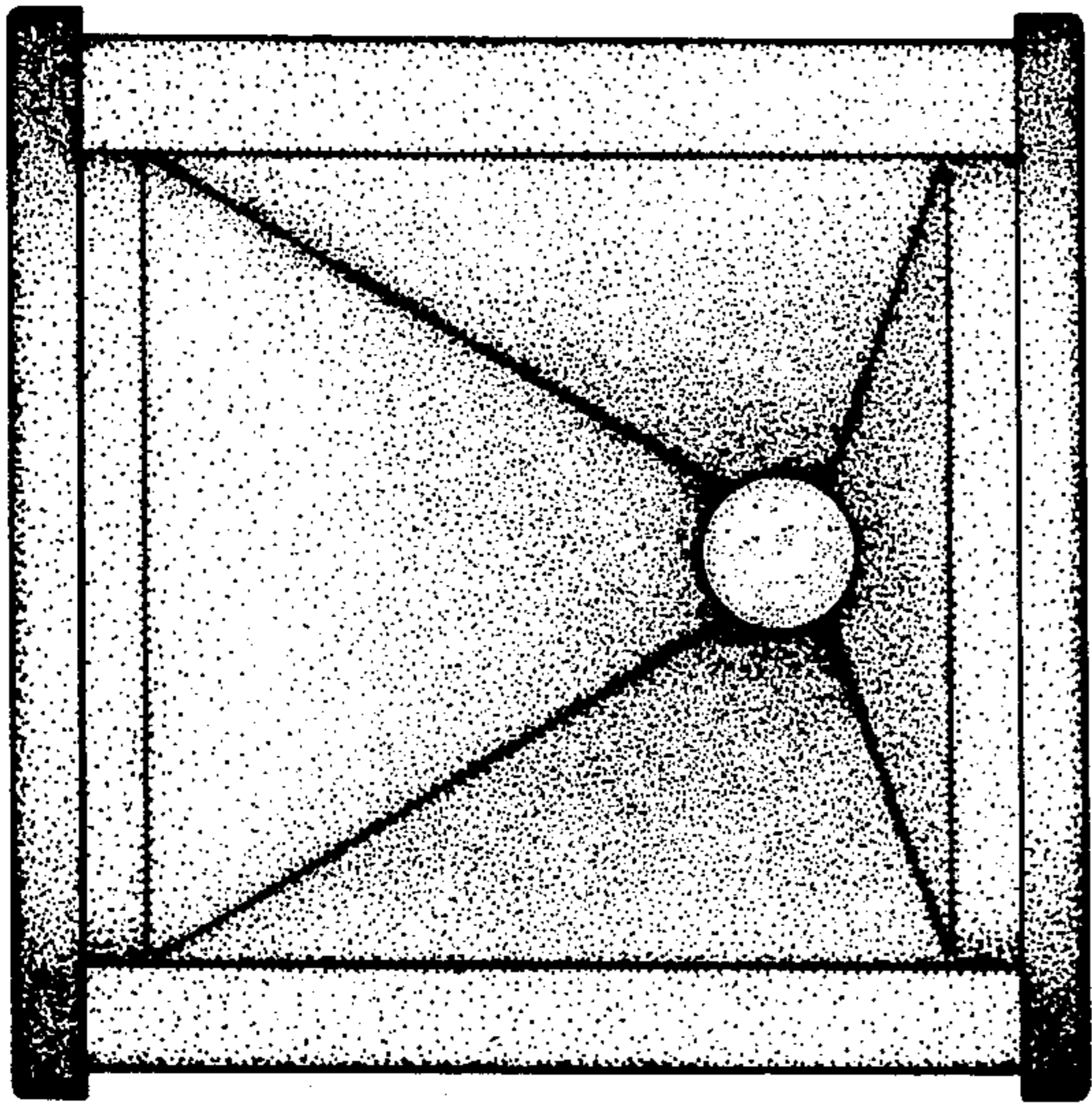


FIG. 1

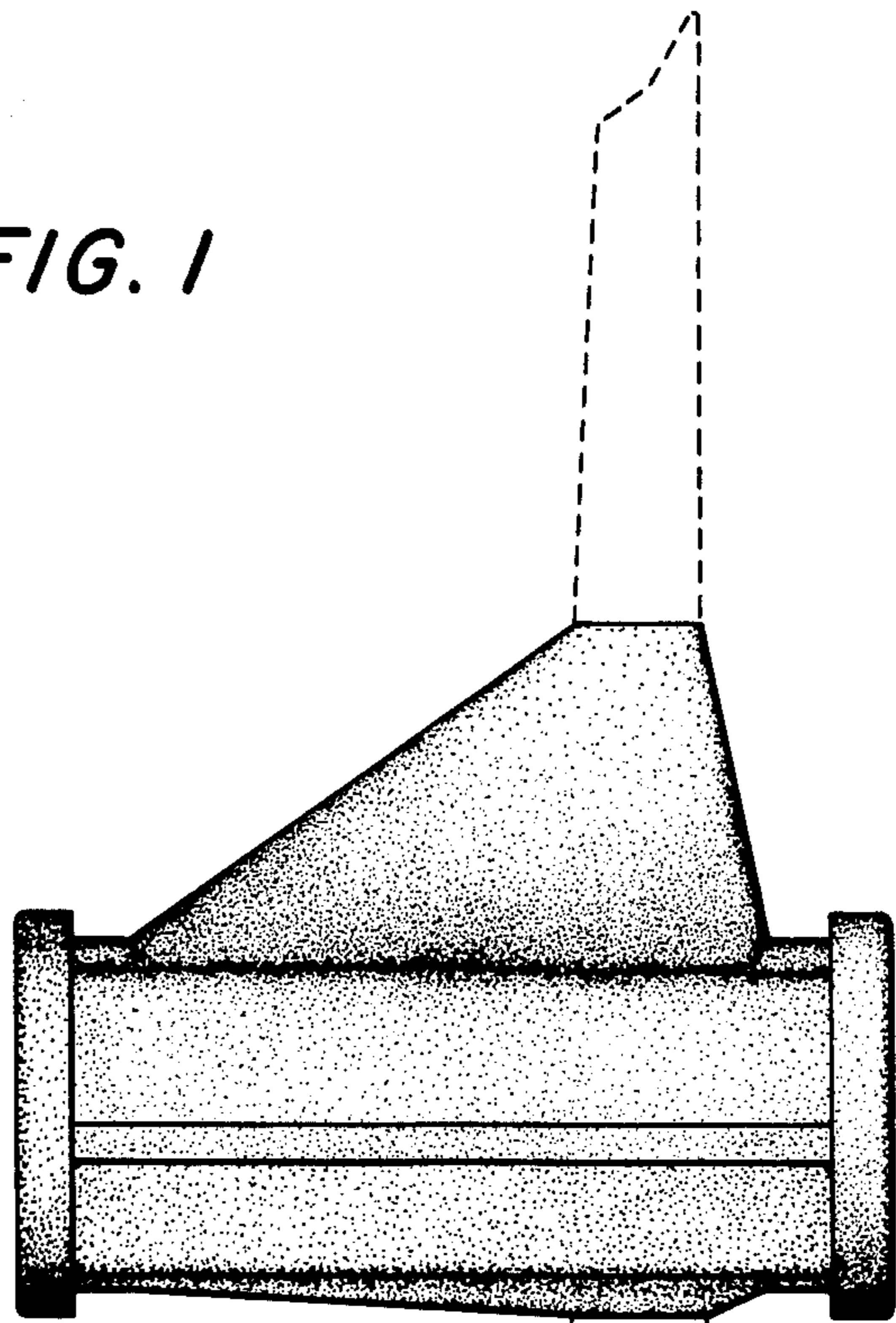


FIG. 2

FIG. 3

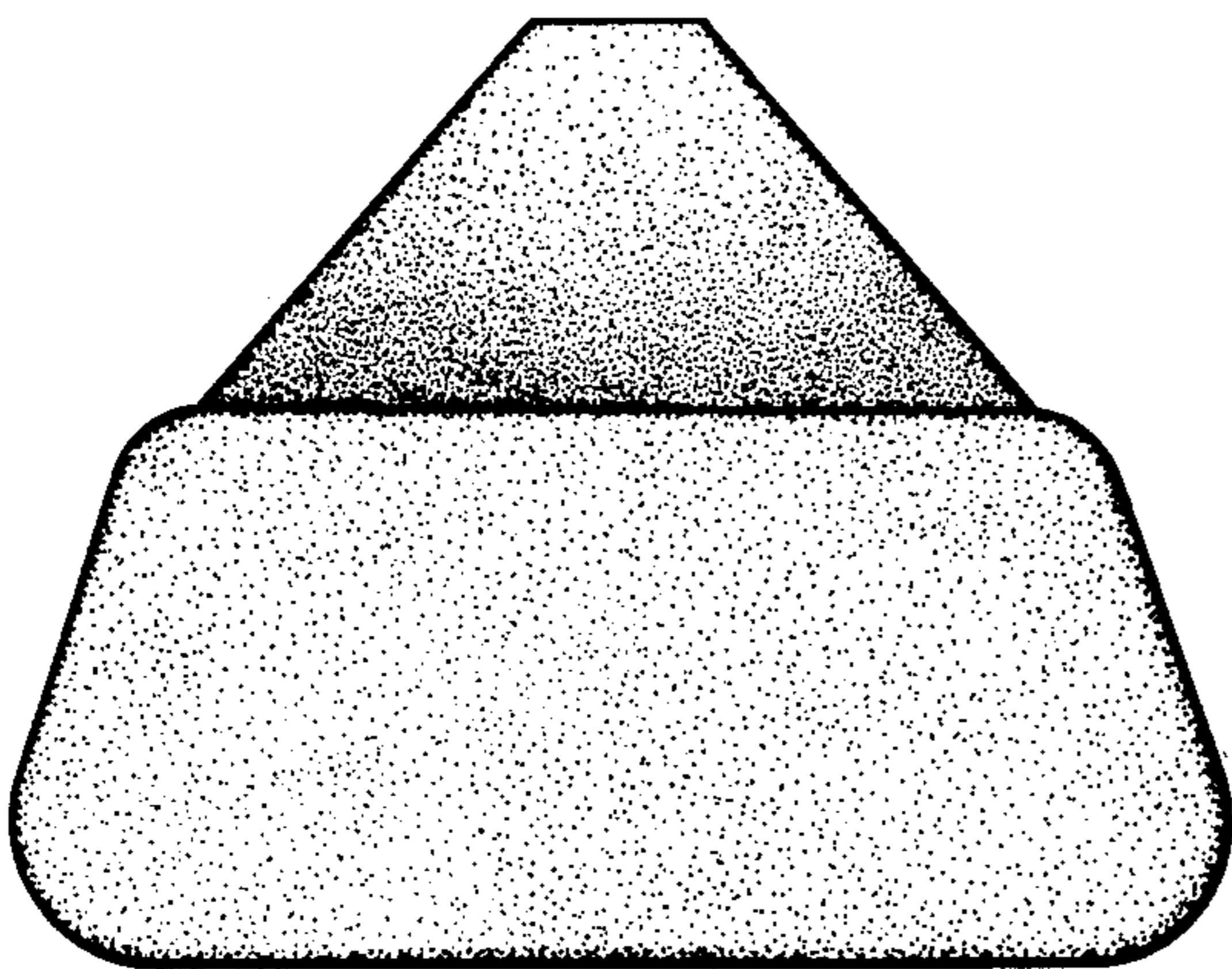


FIG. 4

