

[54] **PORTABLE PHYSIOLOGICAL MONITOR**

[75] Inventor: **Joseph D. Napoli**, Billerica, Mass.

[73] Assignee: **American Optical Corporation**,
Southbridge, Mass.

[**] Term: **14 Years**

[21] Appl. No.: **729,616**

[22] Filed: **Oct. 4, 1976**

[51] Int. Cl. **D24-02**

[52] U.S. Cl. **D24/17**

[58] Field of Search **D24/17, 8; 128/2.06 G,**
128/2.06 R, 2.06 E, 2.05 R, 419 D, 404, DIG.
4, 2.1 Z, 2.06 B

[56] **References Cited**

U.S. PATENT DOCUMENTS

D. 225,090 11/1972 Lyons D24/17
D. 238,905 2/1976 Sokol D24/17

D. 238,971 2/1976 Nardi et al. D24/17
D. 243,475 2/1977 Frazier D24/17
3,517,662 6/1970 Finch et al. 128/2.06 B
3,744,480 7/1973 Gause et al. 128/2.05 R

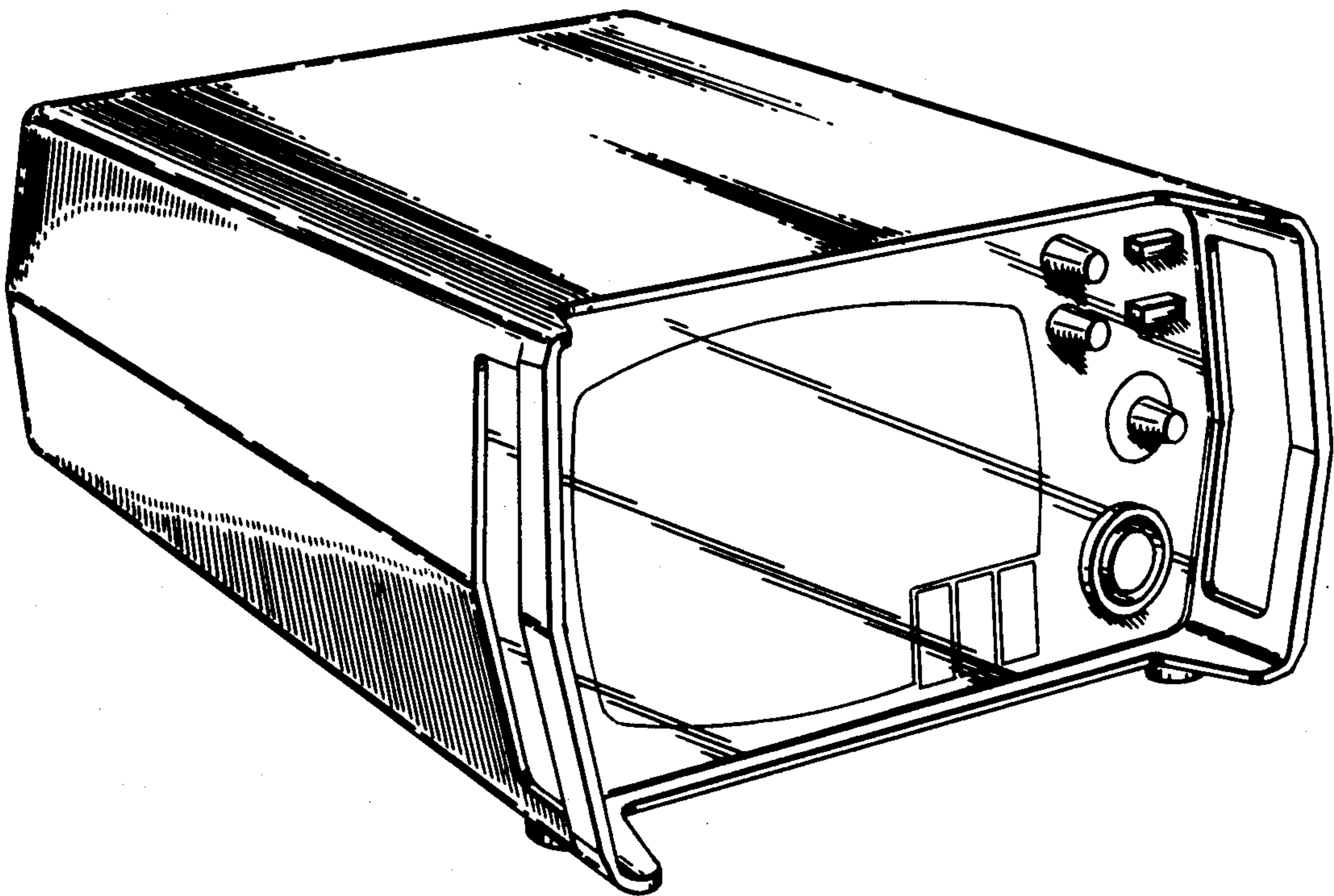
Primary Examiner—Bernard Ansher
Attorney, Agent, or Firm—William C. Nealon

[57] **CLAIM**

The ornamental design for a portable physiological monitor, as shown and described.

DESCRIPTION

FIG. 1 is a front perspective view of a portable physiological monitor, embodying my new design;
FIG. 2 is a front elevational view of the portable physiological monitor embodying my new design;
FIG. 3 is a rear elevational view thereof;
FIG. 4 is a bottom plan view thereof;
FIG. 5 is a right side elevational view of the portable physiological monitor embodying my new design, the left side thereof being of substantially the same appearance.



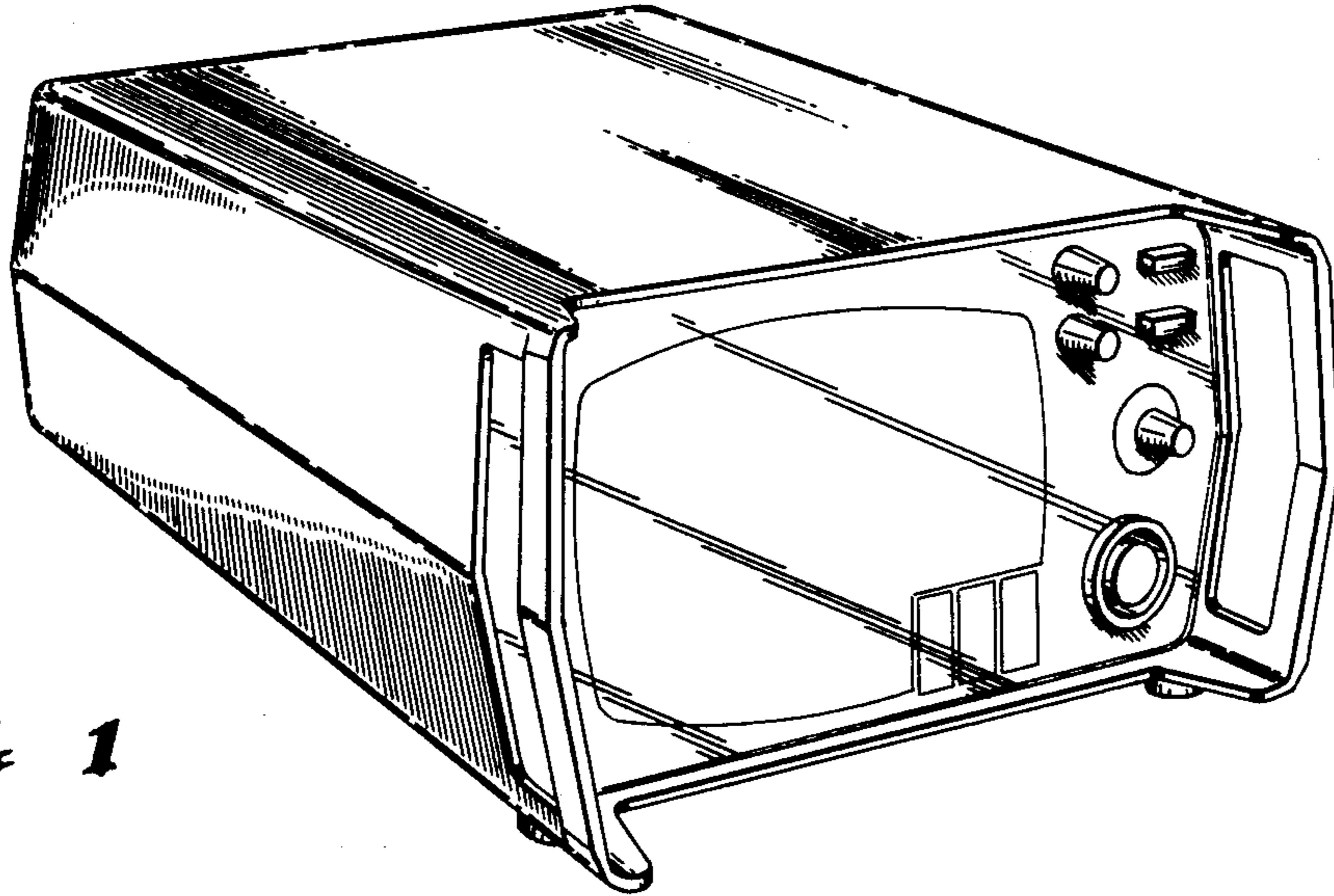


Fig 1

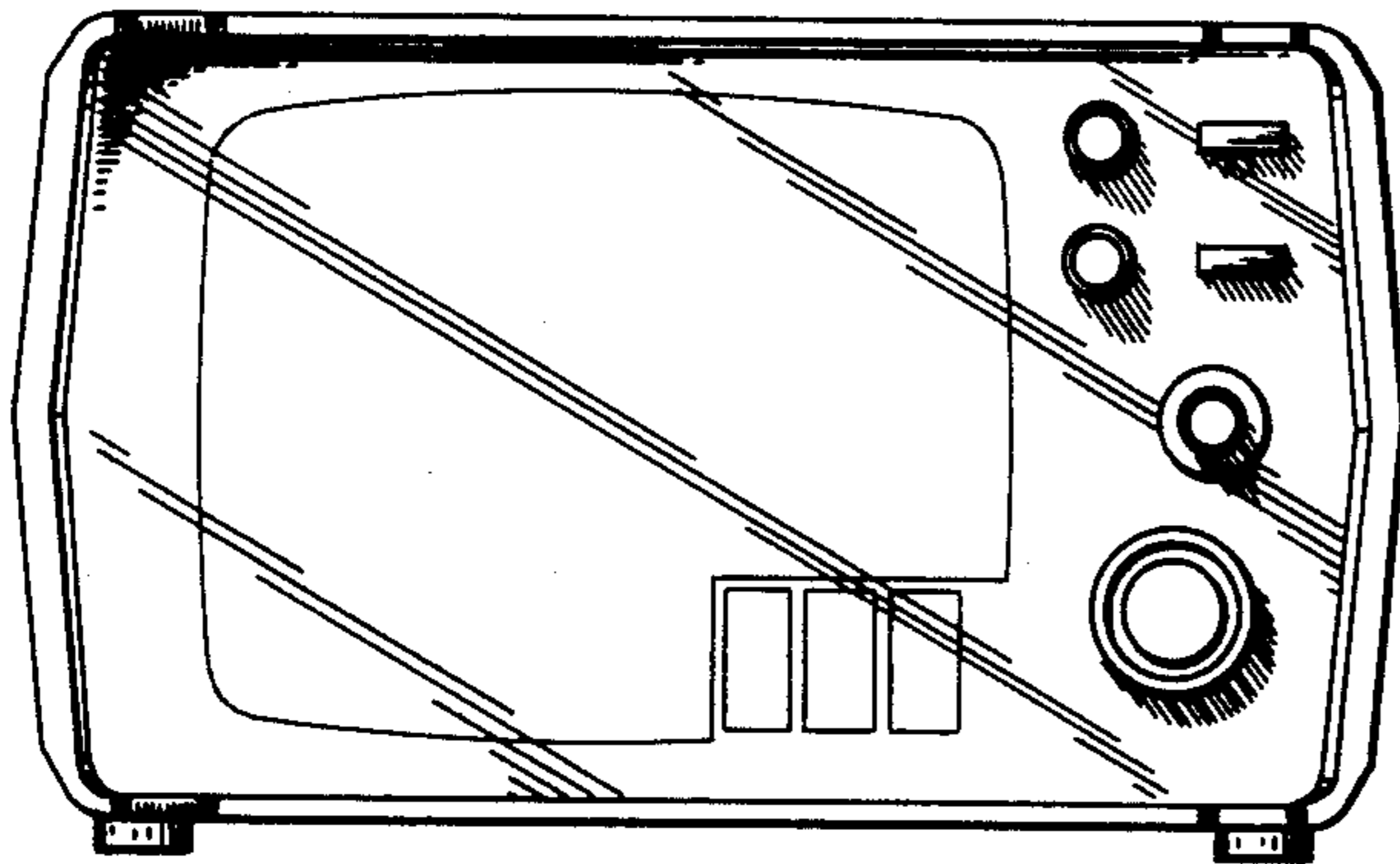


Fig 2

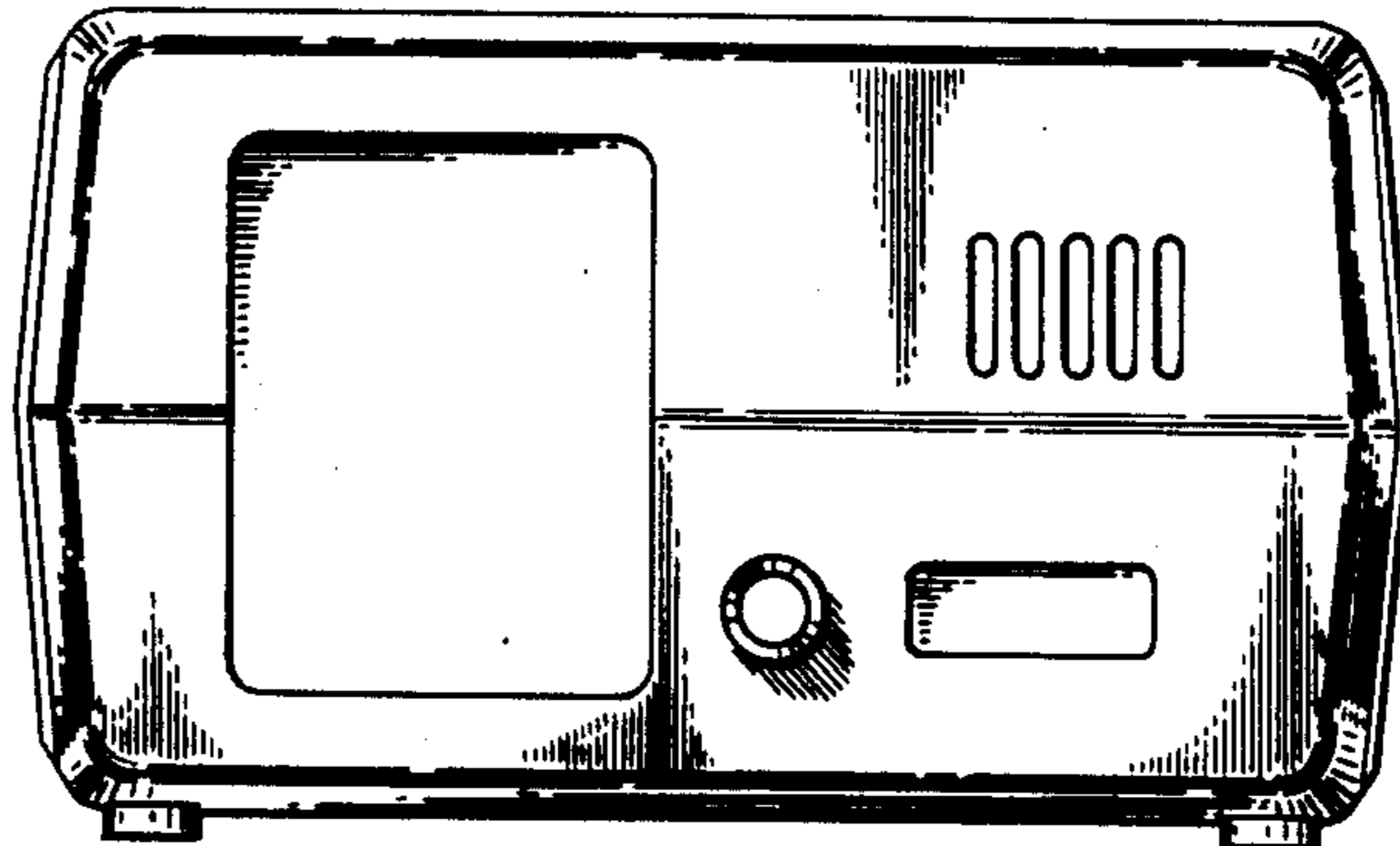


Fig 3

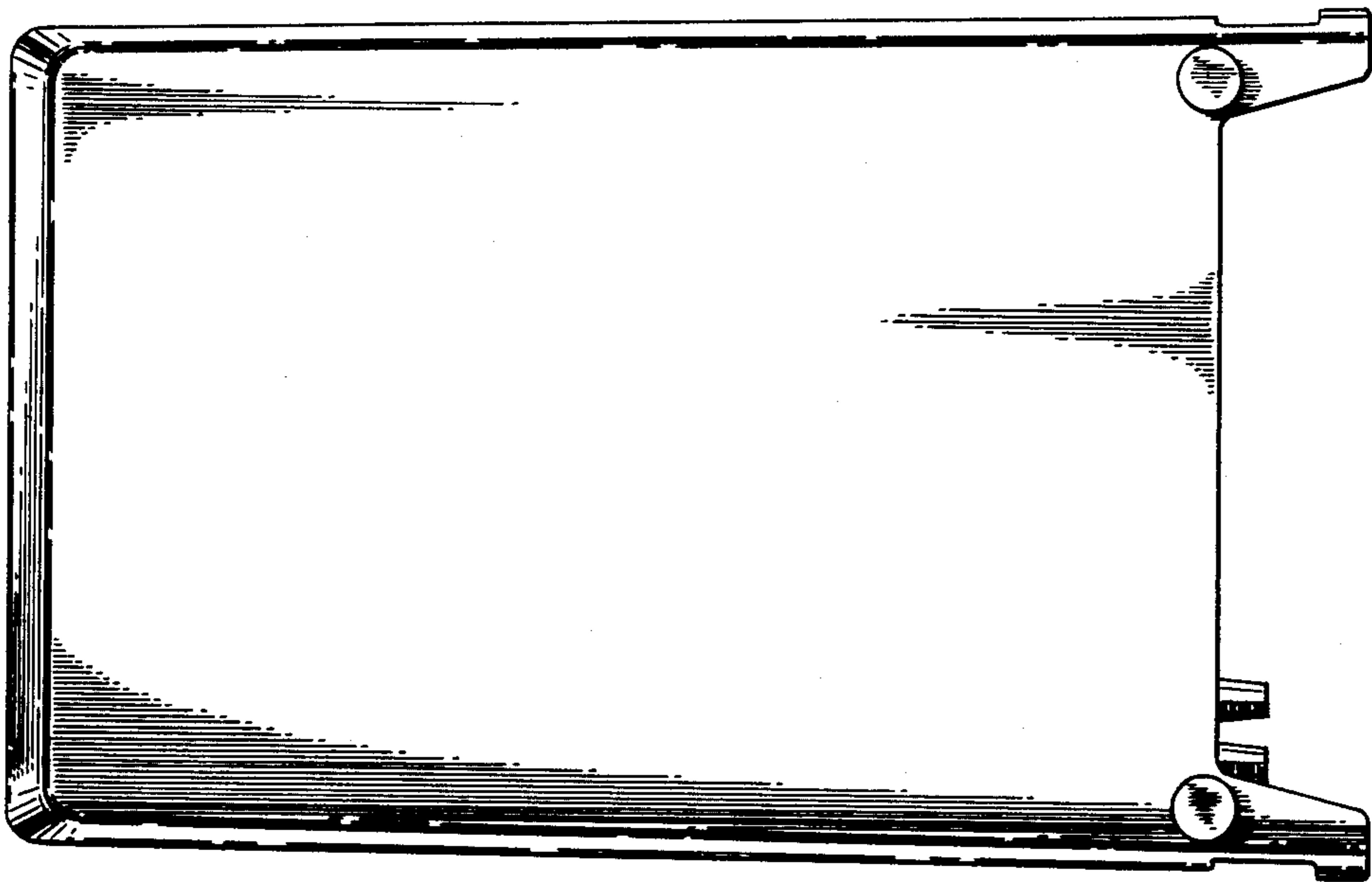


Fig 4

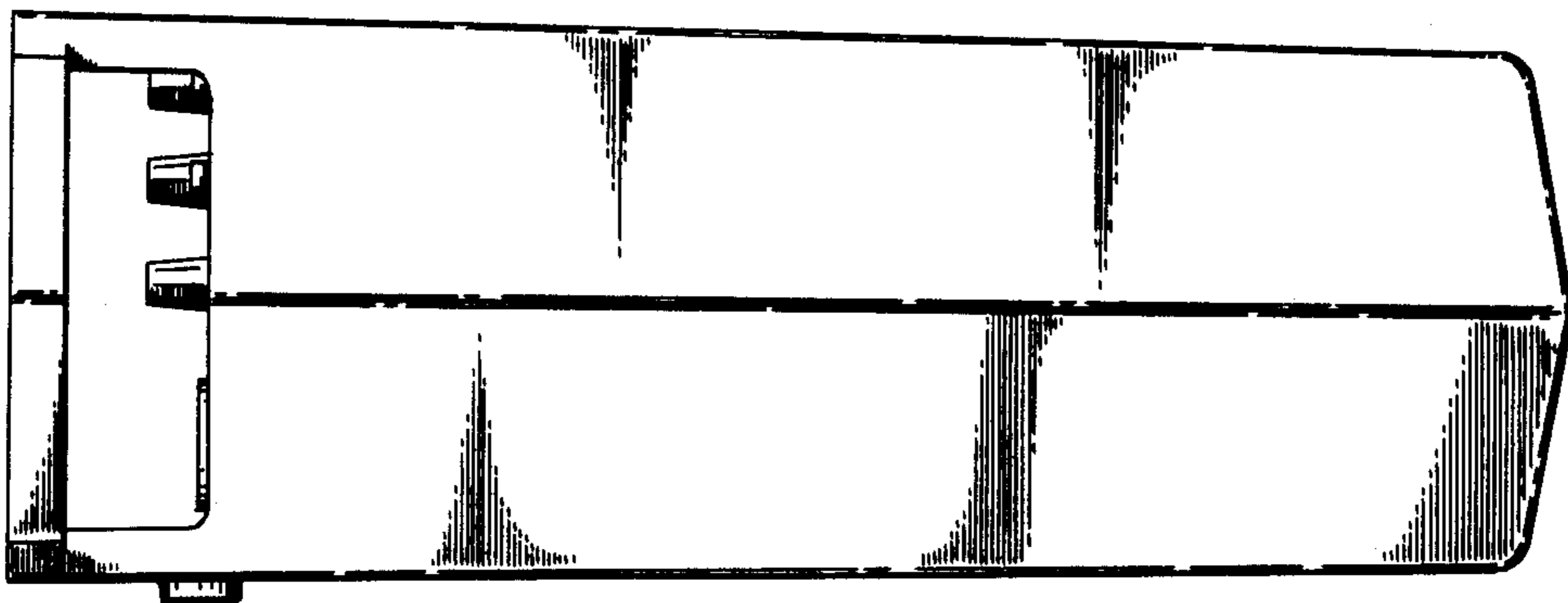


Fig 5