

[54] VENTILATOR HOOD
[76] Inventor: Lester L. Miller, 3117 De Salvo Road, Jacksonville, Fla. 32216

2,018,020 10/1935 Guenther 98/71
2,563,272 8/1951 Rachlin 98/71
3,242,848 3/1966 Guenther 98/68
3,661,070 5/1972 Miller 98/68

[**] Term: 14 Years

Primary Examiner—James R. Largen
Attorney, Agent, or Firm—George H. Baldwin

[21] Appl. No.: 712,169

[57] CLAIM

[22] Filed: Aug. 5, 1976

The ornamental design for a ventilator hood, substantially as shown.

[51] Int. Cl. D23—04

DESCRIPTION

[52] U.S. Cl. D23/153

[58] Field of Search D23/139-167;
98/68

FIG. 1 is a front elevational view of a ventilator hood of my design:

[56] References Cited

U.S. PATENT DOCUMENTS

D. 222,587 11/1971 Miller D23/153
1,100,234 6/1914 Ecker 98/68
1,148,702 8/1915 Meixell 98/68 X
1,701,385 2/1929 Meixell 98/68

FIG. 2 is a left side elevational view thereof:

FIG. 3 is a top plan view thereof:

FIG. 4 is a rear elevational view thereof:

FIG. 5 is a bottom view thereof: and

FIG. 6 is a view taken on the plane of line 6—6 on FIG. 2.

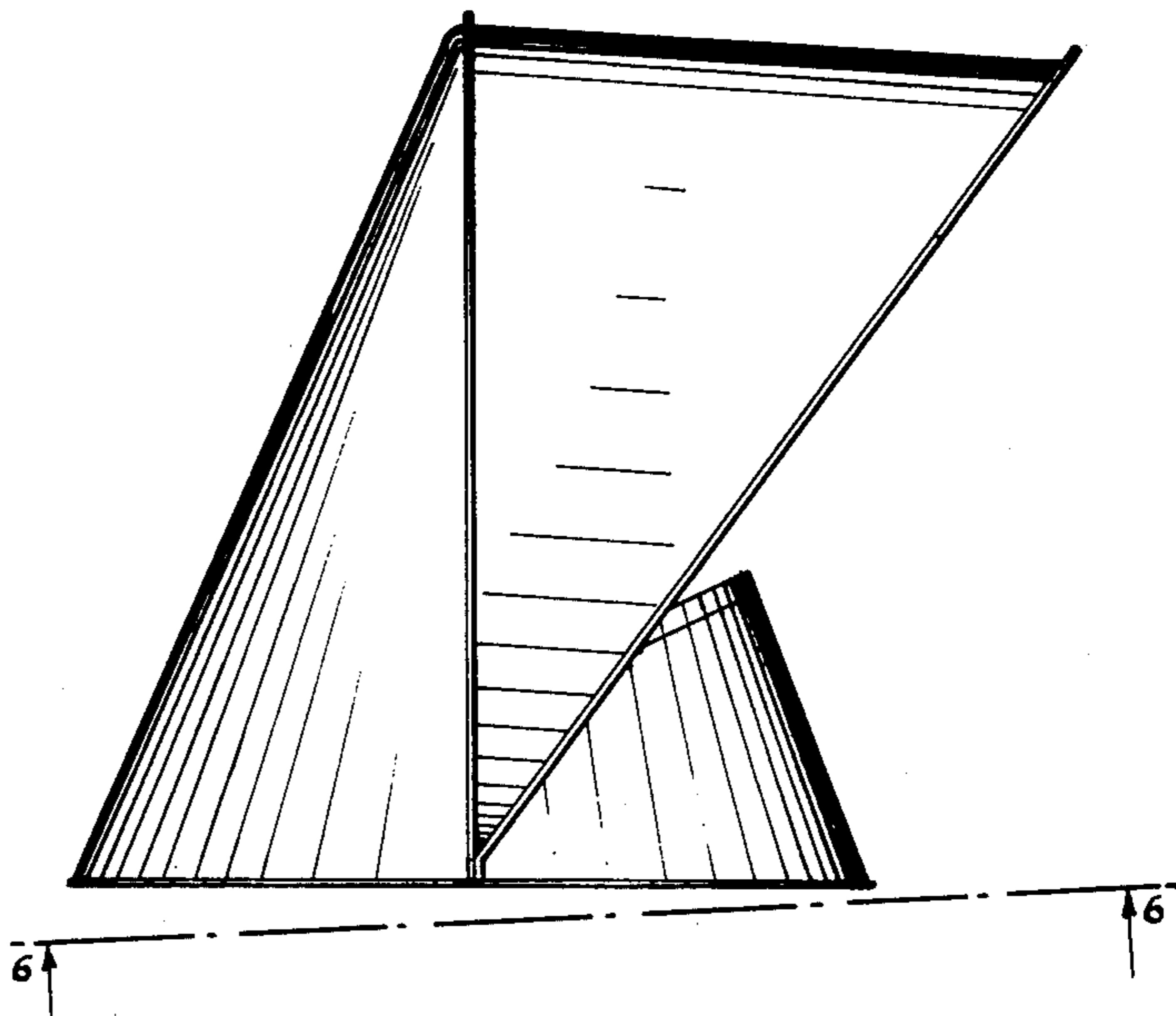
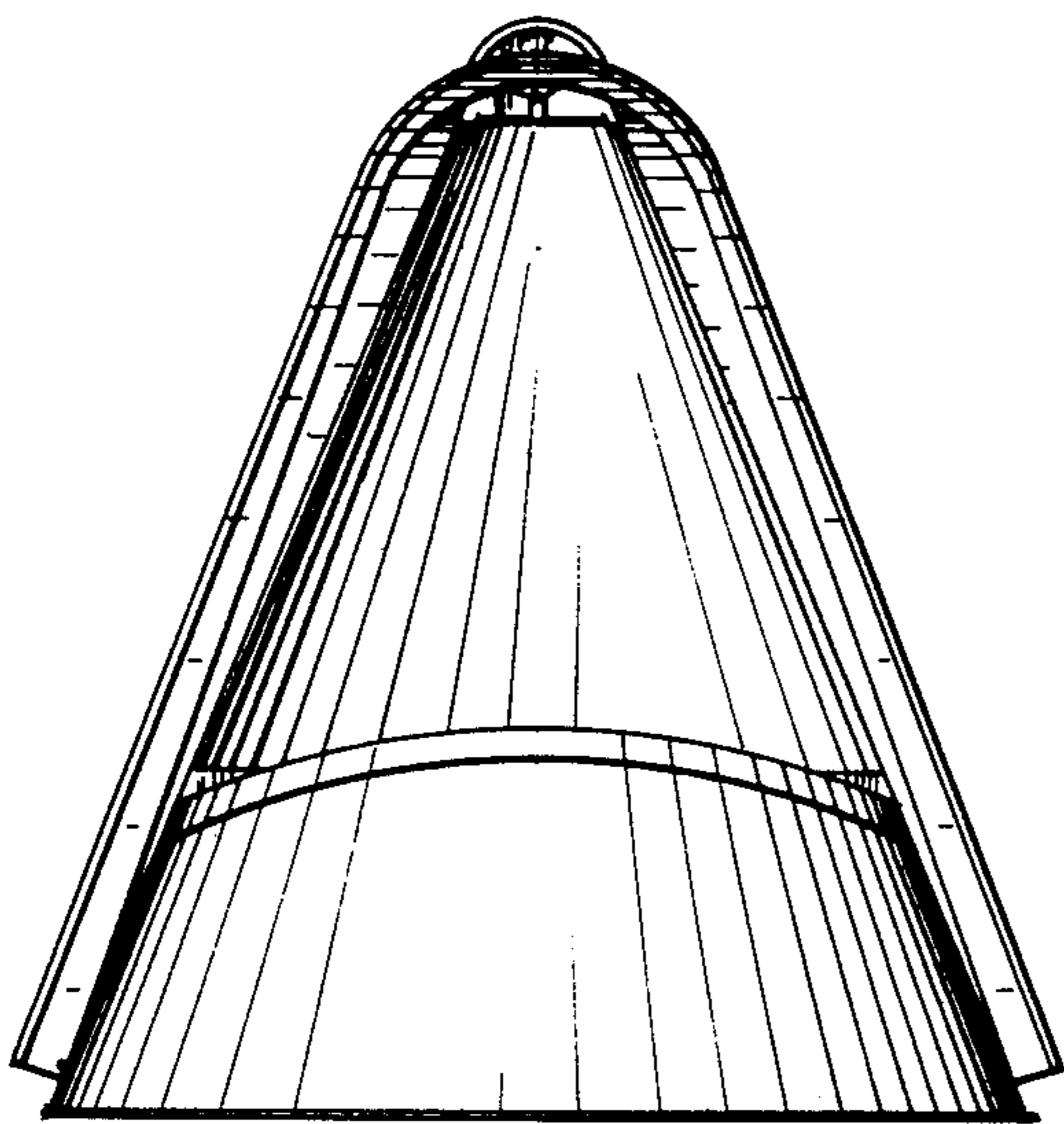


FIG. 1

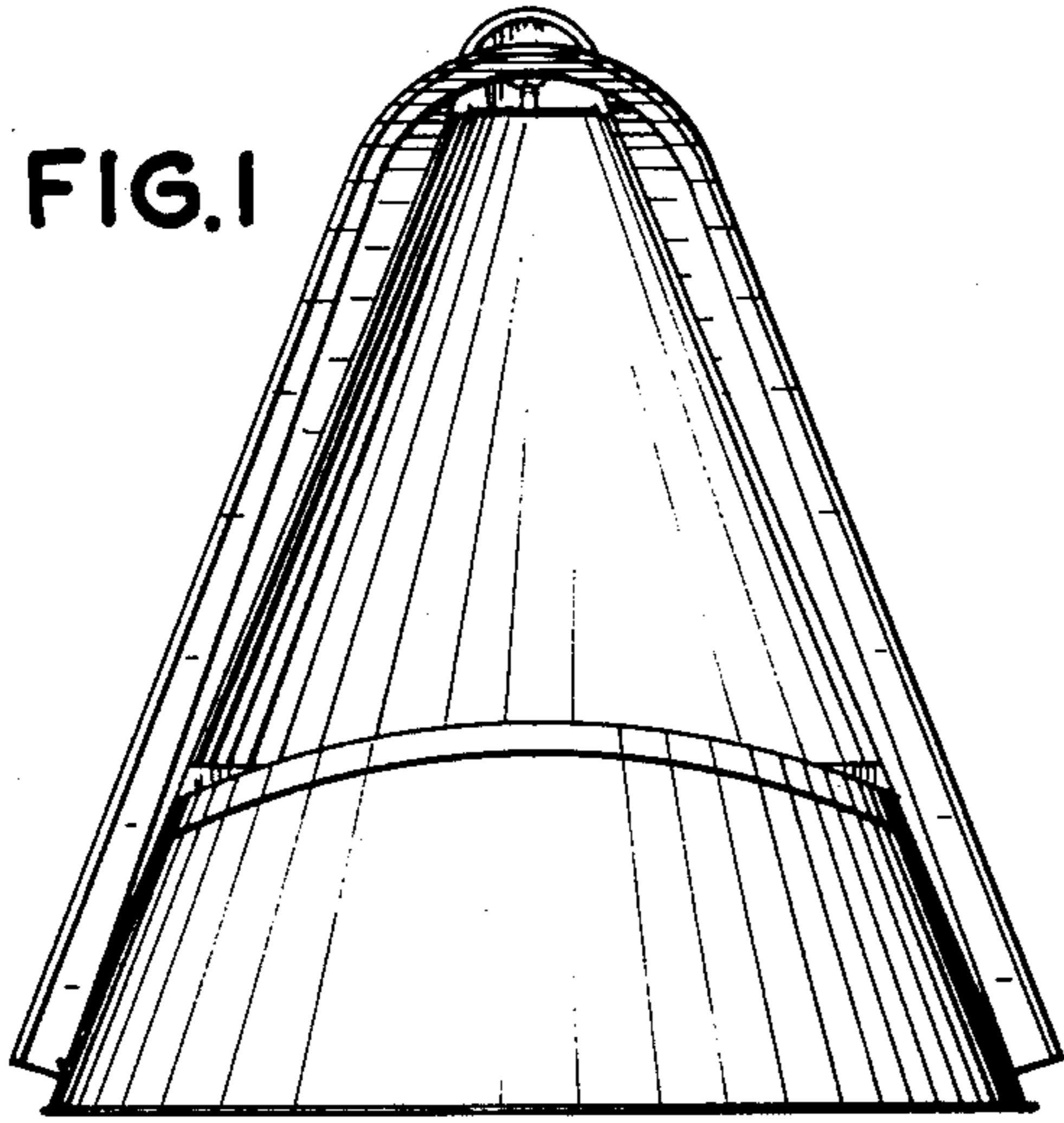


FIG. 2

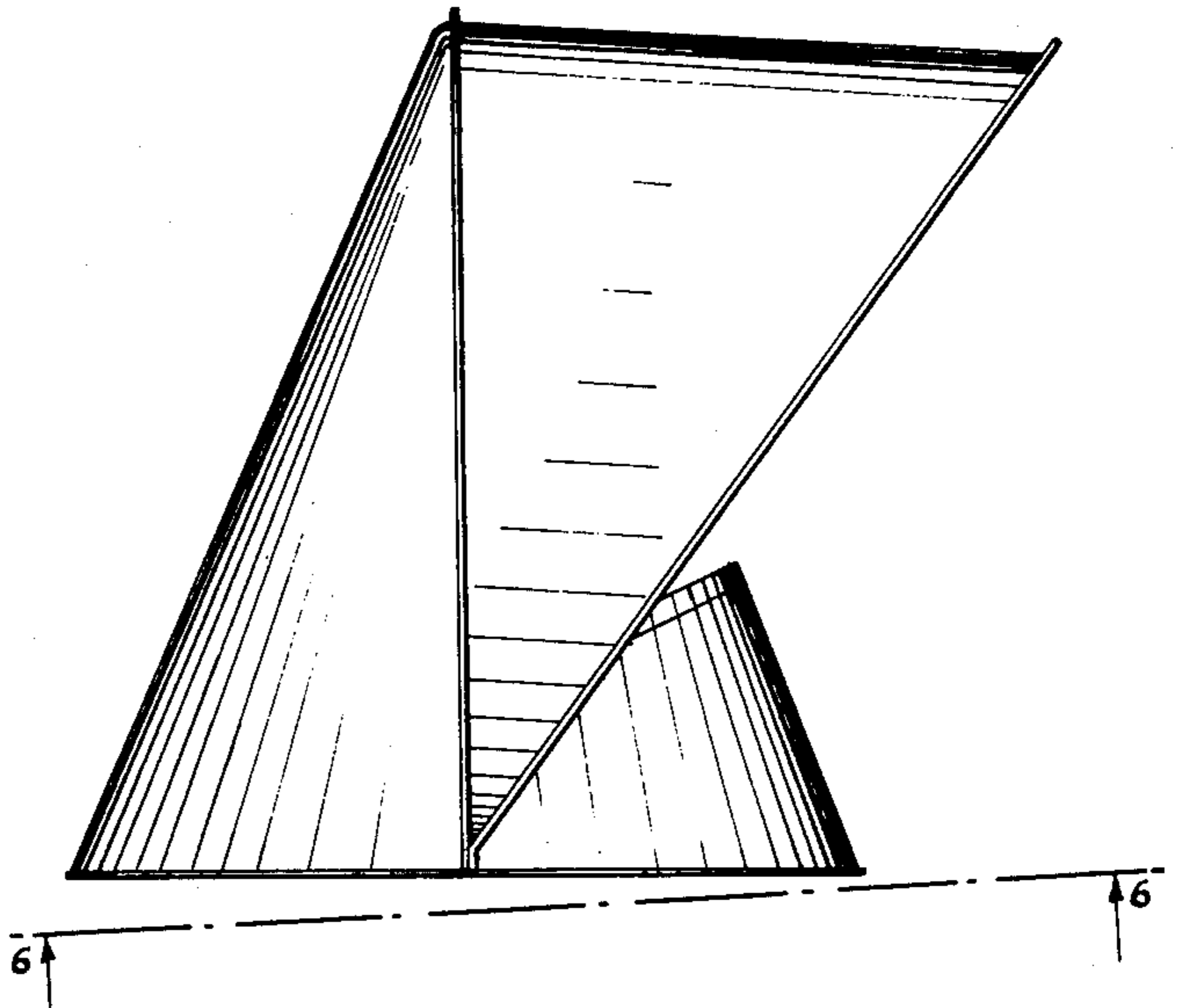


FIG. 3

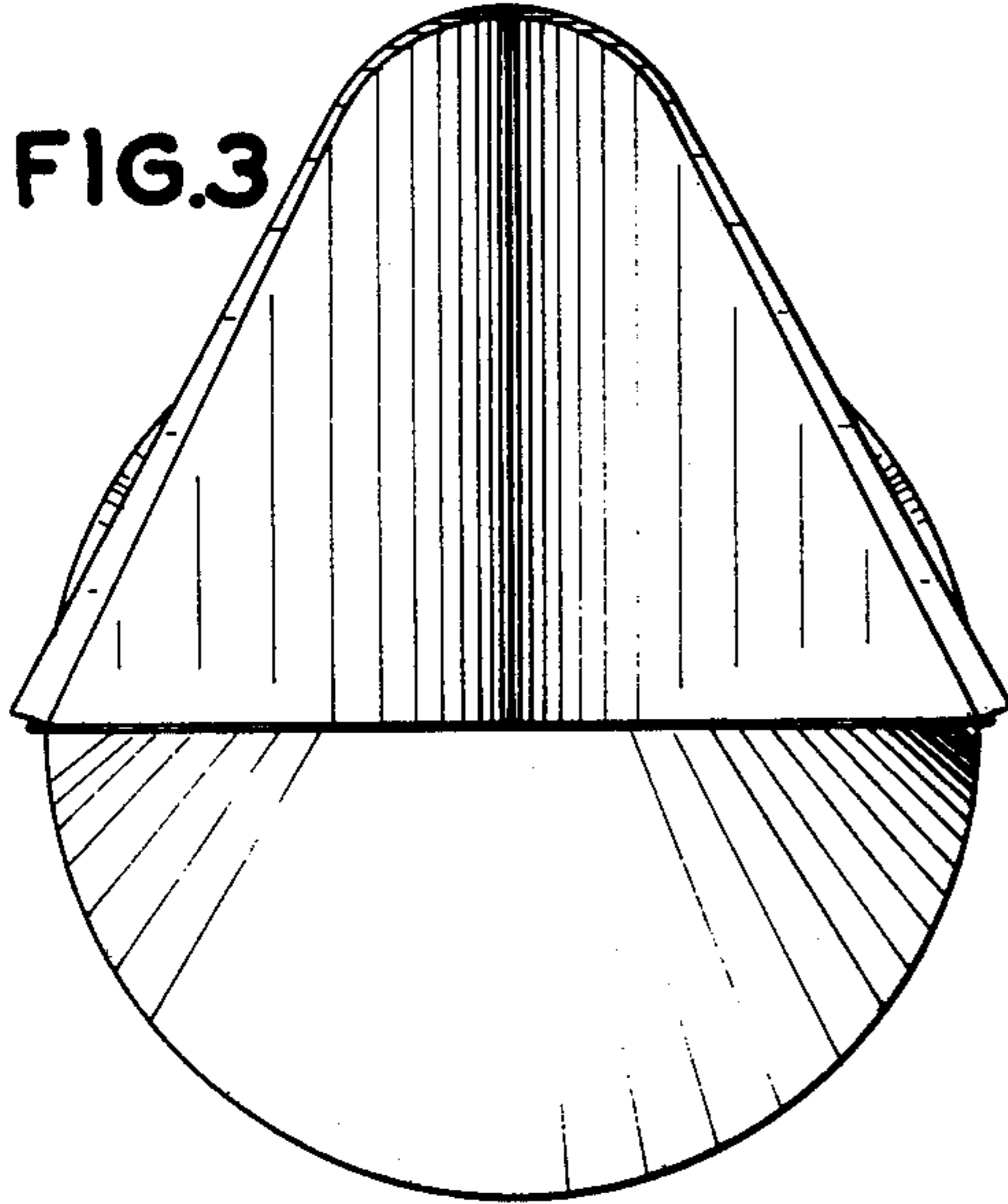


FIG. 5

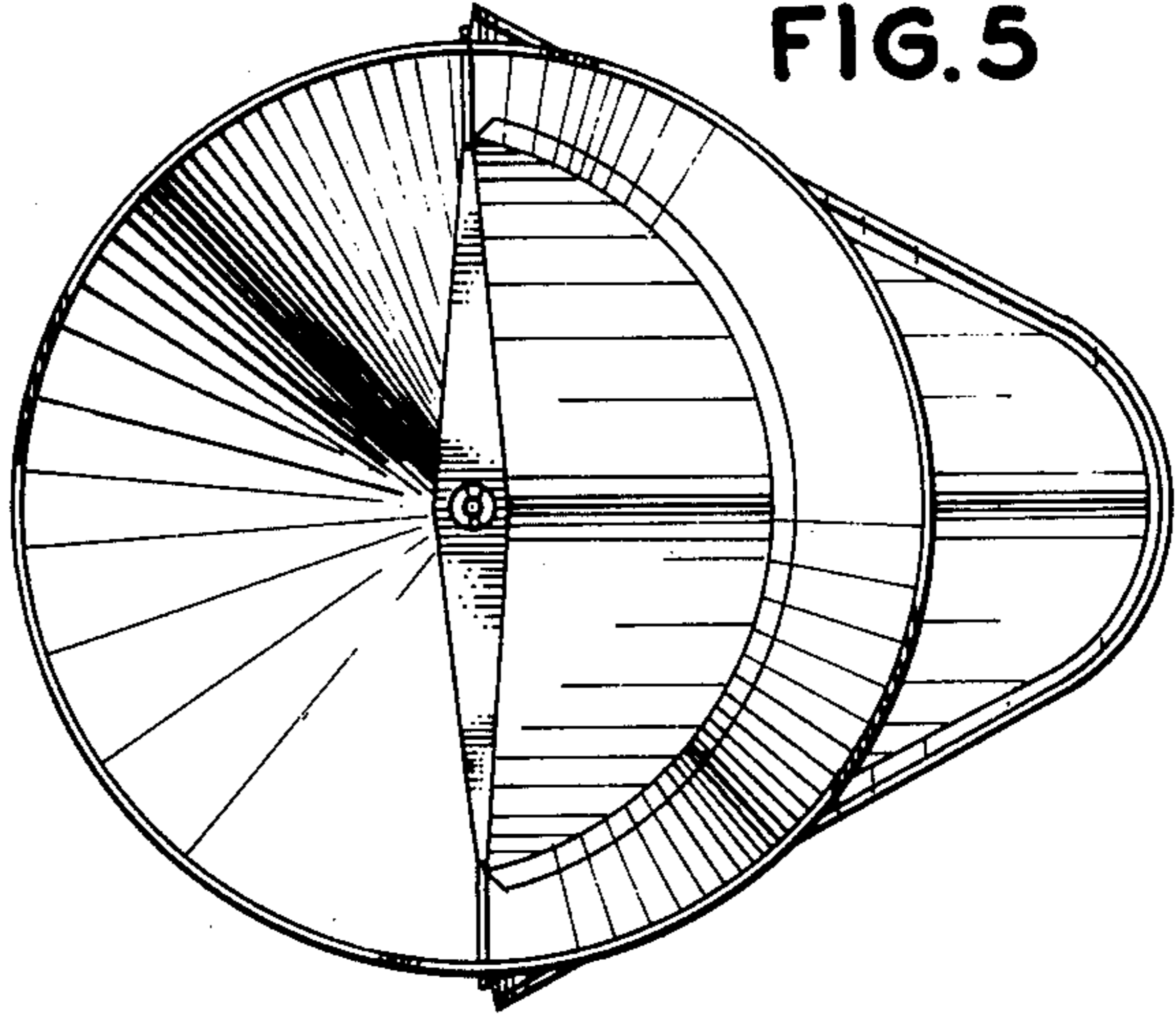


FIG. 4

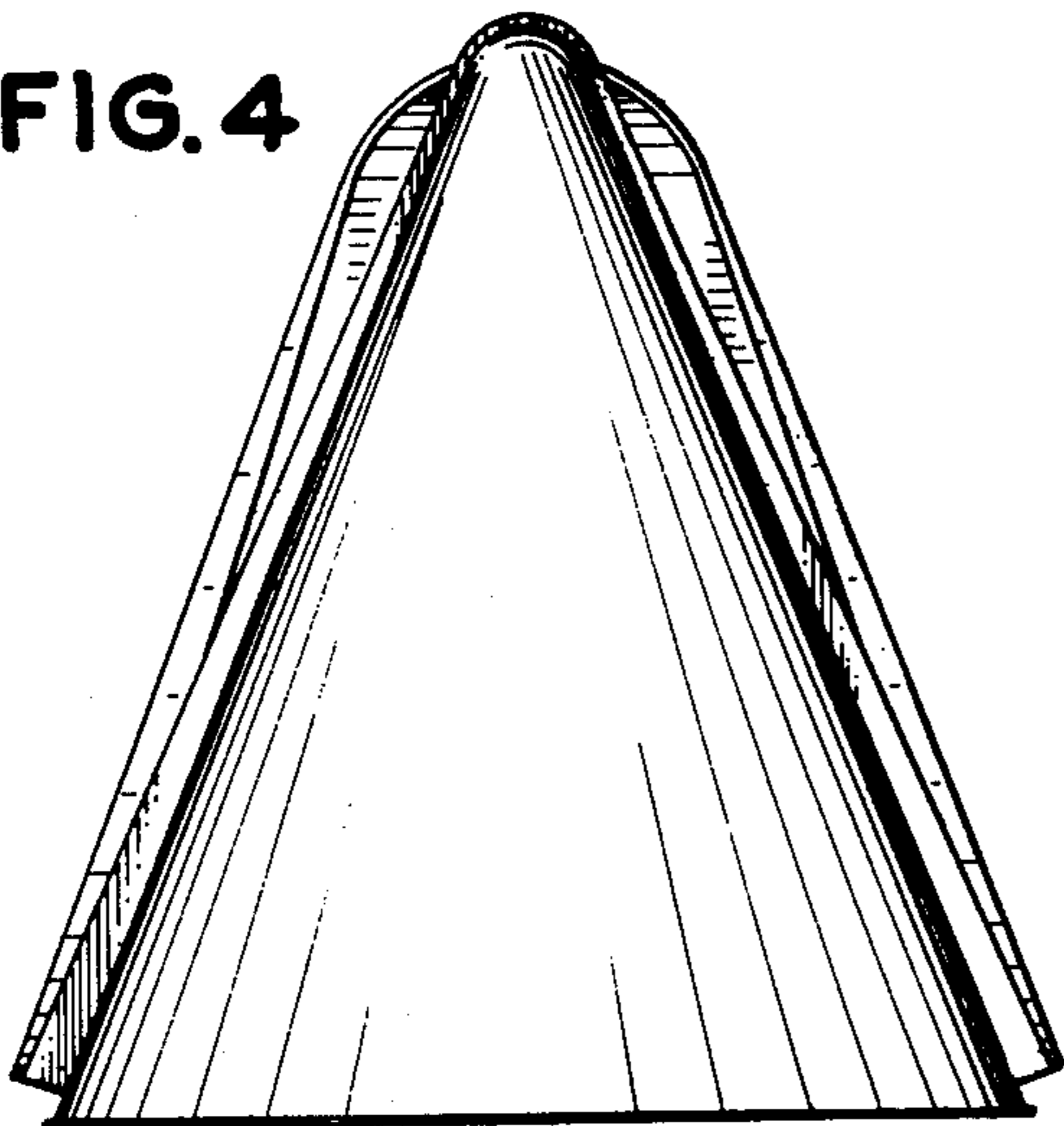


FIG. 6

