

[54] COMBINED HOLDER AND MOUNTING BRACKET FOR SOLID DEODORANT, PERFUME, INSECT REPELLANT OR THE LIKE

[75] Inventor: Georg Schimanski, Hagen, Germany

[73] Assignee: Globol-Werk GmbH, Neuburg, Germany

[**] Term: 14 Years

[21] Appl. No.: 714,366

[22] Filed: Aug. 16, 1976

Related U.S. Application Data

[62] Division of Ser. No. 622,630, Oct. 15, 1975, Pat. No. Des. 242,145.

Foreign Application Priority Data

Apr. 21, 1975 Germany MR 281

[51] Int. Cl. D23-04

[52] U.S. Cl. D23/150

[58] Field of Search D23/139, 141, 150; D22/19; 239/34, 35, 51.5, 57, 60

[56] References Cited

U.S. PATENT DOCUMENTS

D. 136,877	12/1943	Estes	D23/150
D. 236,348	8/1975	Schimanski	D23/150
3,804,330	4/1974	Miller et al.	239/34
3,844,478	10/1974	Davis	239/57

Primary Examiner—Wallace R. Burke
Assistant Examiner—B. J. Bullock
Attorney, Agent, or Firm—Gilbert L. Wells

[57] CLAIM

The ornamental design for a combined holder and mounting bracket for solid deodorant, perfume, insect repellent or the like, as shown.

DESCRIPTION

FIG. 1 is a top front perspective view of a combined holder and mounting bracket for solid deodorant, perfume, insect repellent or the like showing my new design; and
FIG. 2 is a bottom rear perspective view thereof.

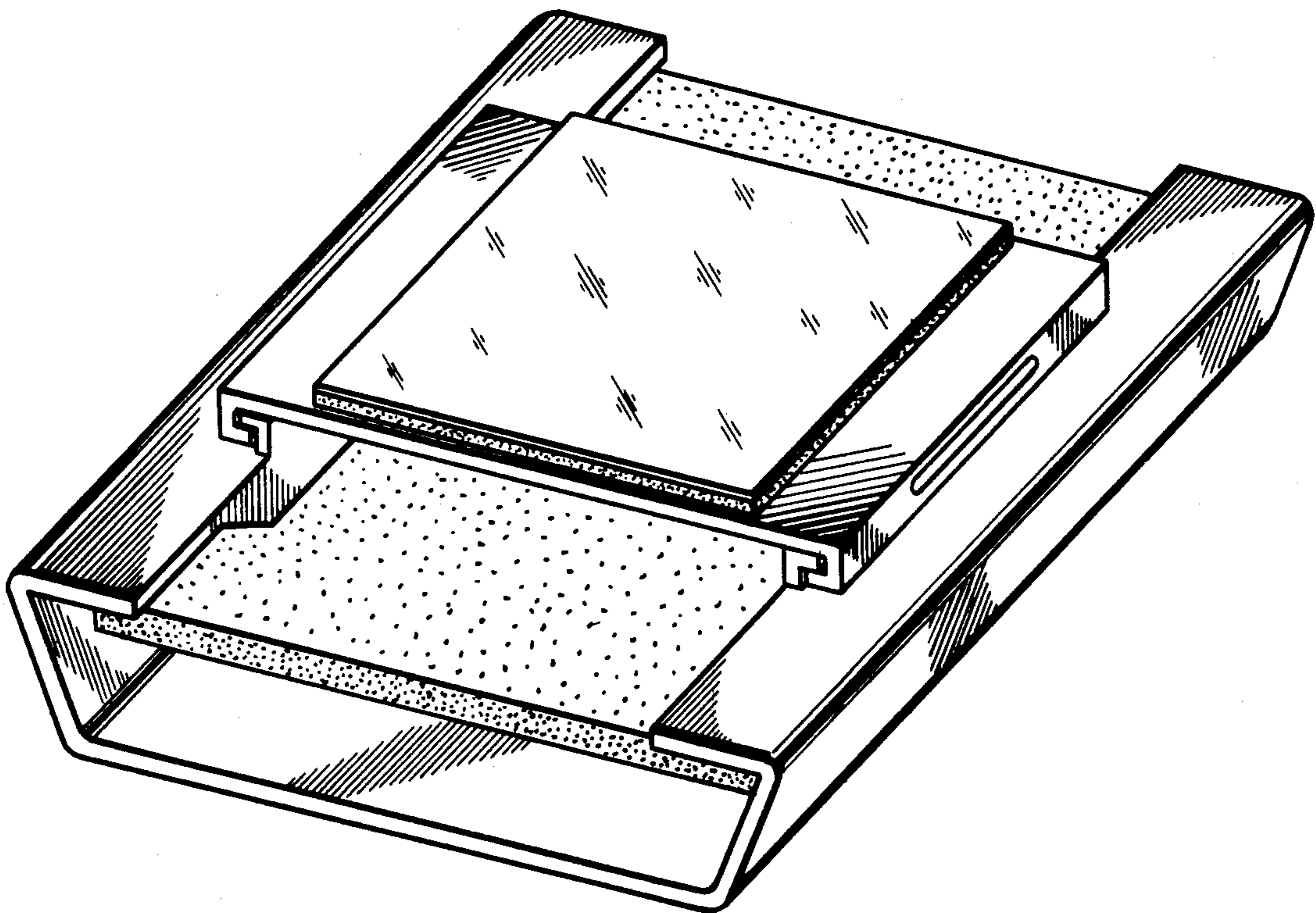


Fig. 1

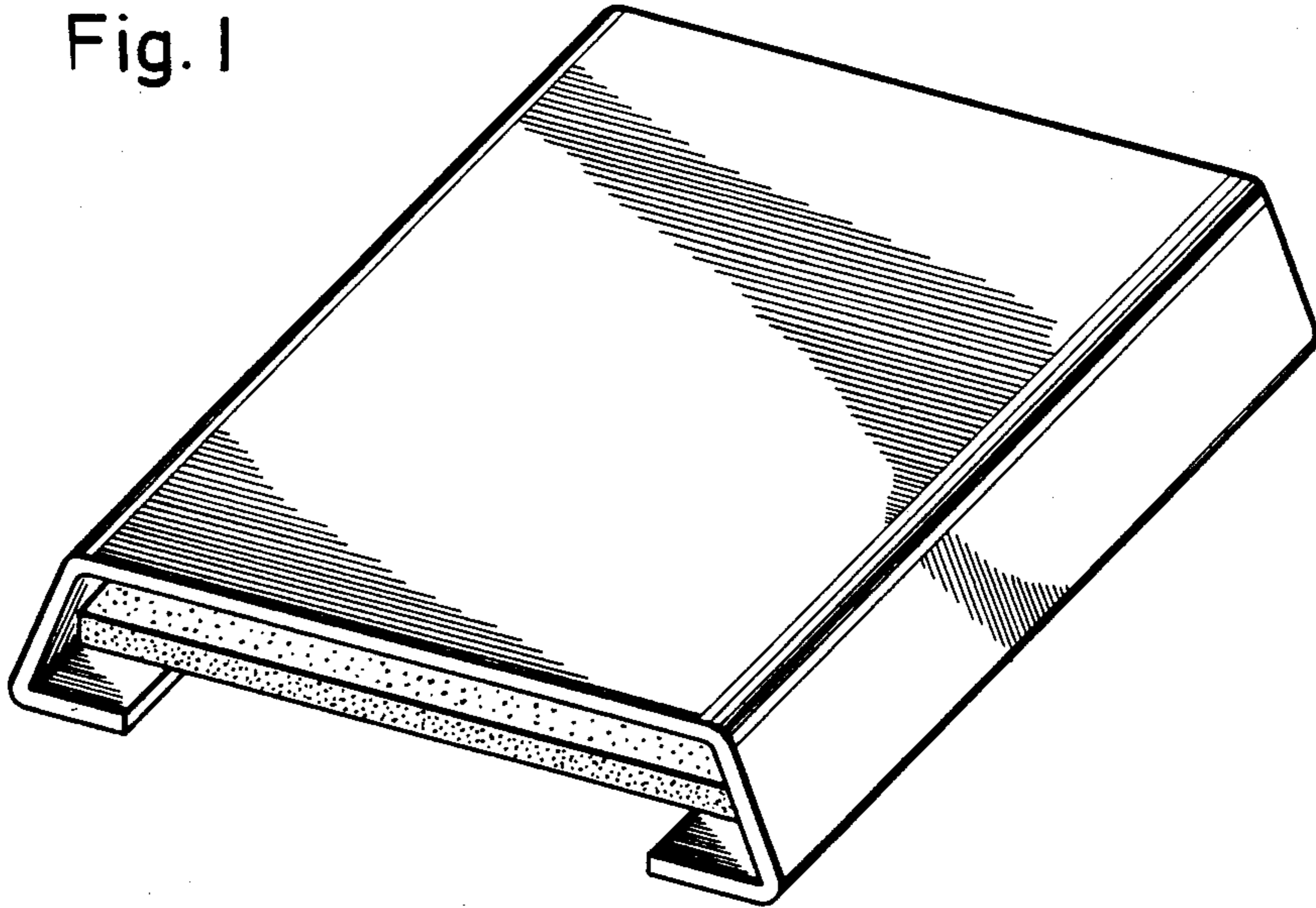


Fig. 2

