

[54] **DIFFUSION PLATE FOR OXYGENATION TREATMENT OF SLUDGE OR THE LIKE**

[75] Inventor: **Jean Durot, Villepreux, France**

[73] Assignee: **Degremont S.A., Rueil-Malmaison, France**

[**] Term: **14 Years**

[21] Appl. No.: **671,692**

[22] Filed: **Mar. 29, 1975**

[30] **Foreign Application Priority Data**
 Sept. 29, 1975 France 1262

[51] Int. Cl. **D23-01**

[52] U.S. Cl. **D23/1**

[58] Field of Search **D23/1, 4, 40; 261/121, 261/122, 124; 210/150**

[56] **References Cited**
U.S. PATENT DOCUMENTS

- D. 232,238 7/1974 La Borde D23/4
- D. 243,531 3/1977 Striglo, Jr. D23/4

- 3,153,682 10/1964 Walker 261/124
- 3,279,773 10/1966 Schwartz 261/122
- 3,334,819 8/1967 Olavson 261/124 X
- 3,396,950 8/1968 Wood 261/122
- 3,954,922 5/1976 Walker et al. 261/121
- 4,007,246 2/1977 Gorden 261/122

Primary Examiner—James R. Largen
Attorney, Agent, or Firm—V. M. Creedon

[57] **CLAIM**

The ornamental design for a diffusion plate for oxygenation treatment of sludge or the like, as shown and described.

DESCRIPTION

FIG. 1 is a top plan view of a diffusion plate for oxygenation treatment of sludge or the like showing my new design;
 FIG. 2 is a side elevational view thereof;
 FIG. 3 is another side elevational view thereof, taken from a position ninety degrees from that of FIG. 2;
 FIG. 4 is a bottom plan view thereof; and
 FIG. 5 is a perspective view thereof, the broken line representation of additional diffusion plates and a distribution pipe is for purposes of illustration only.

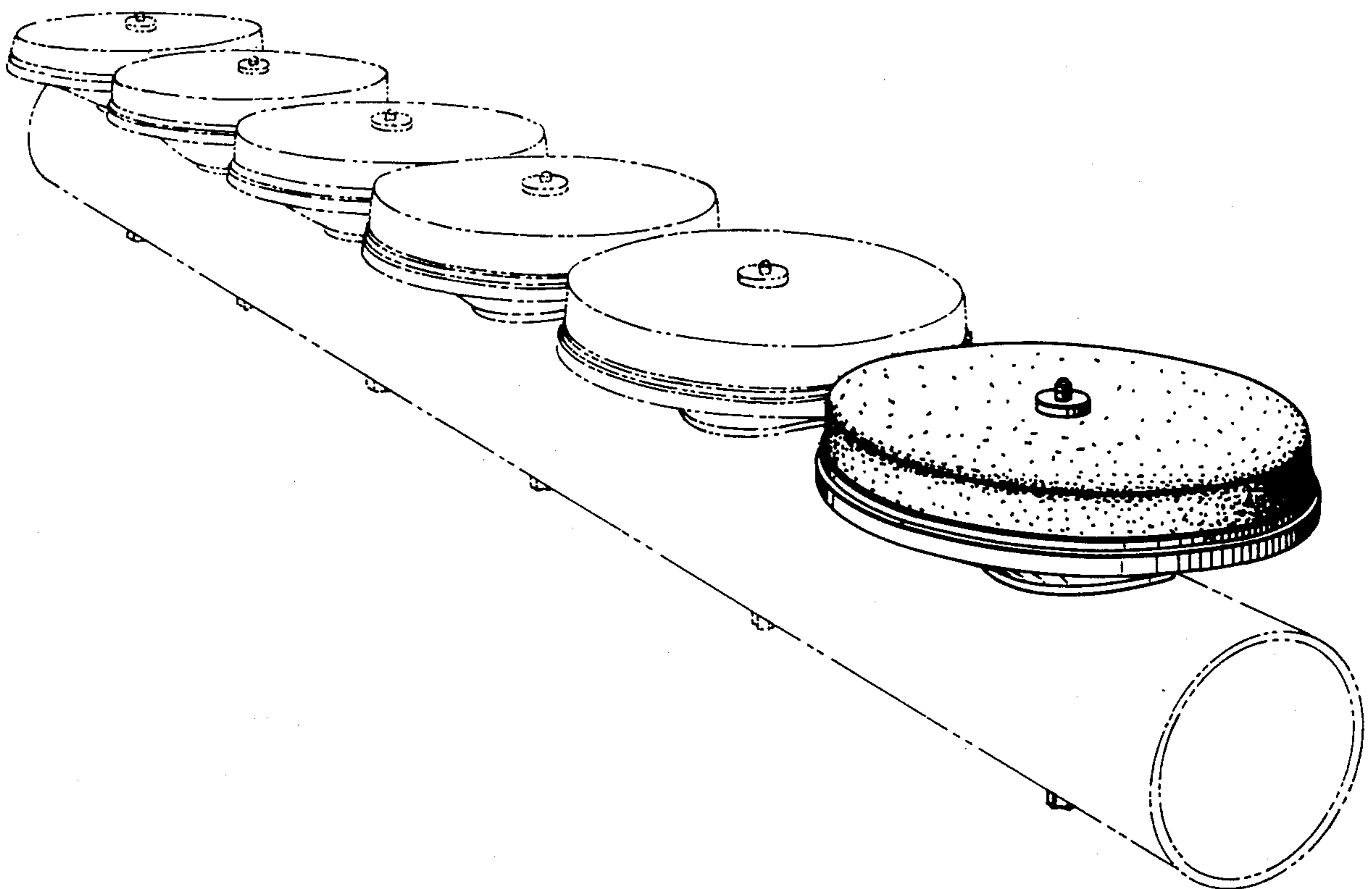


FIG. 2

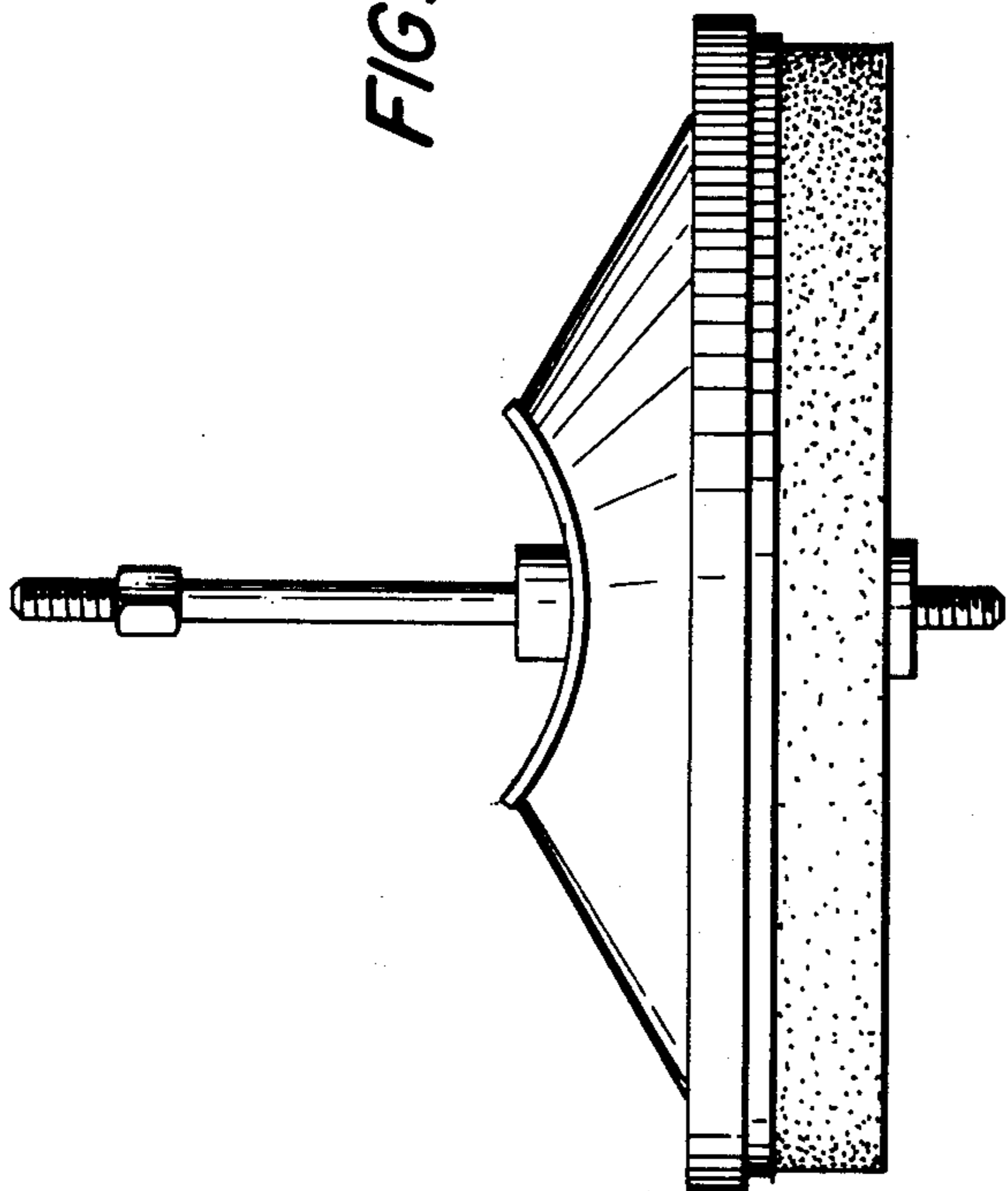


FIG. 3

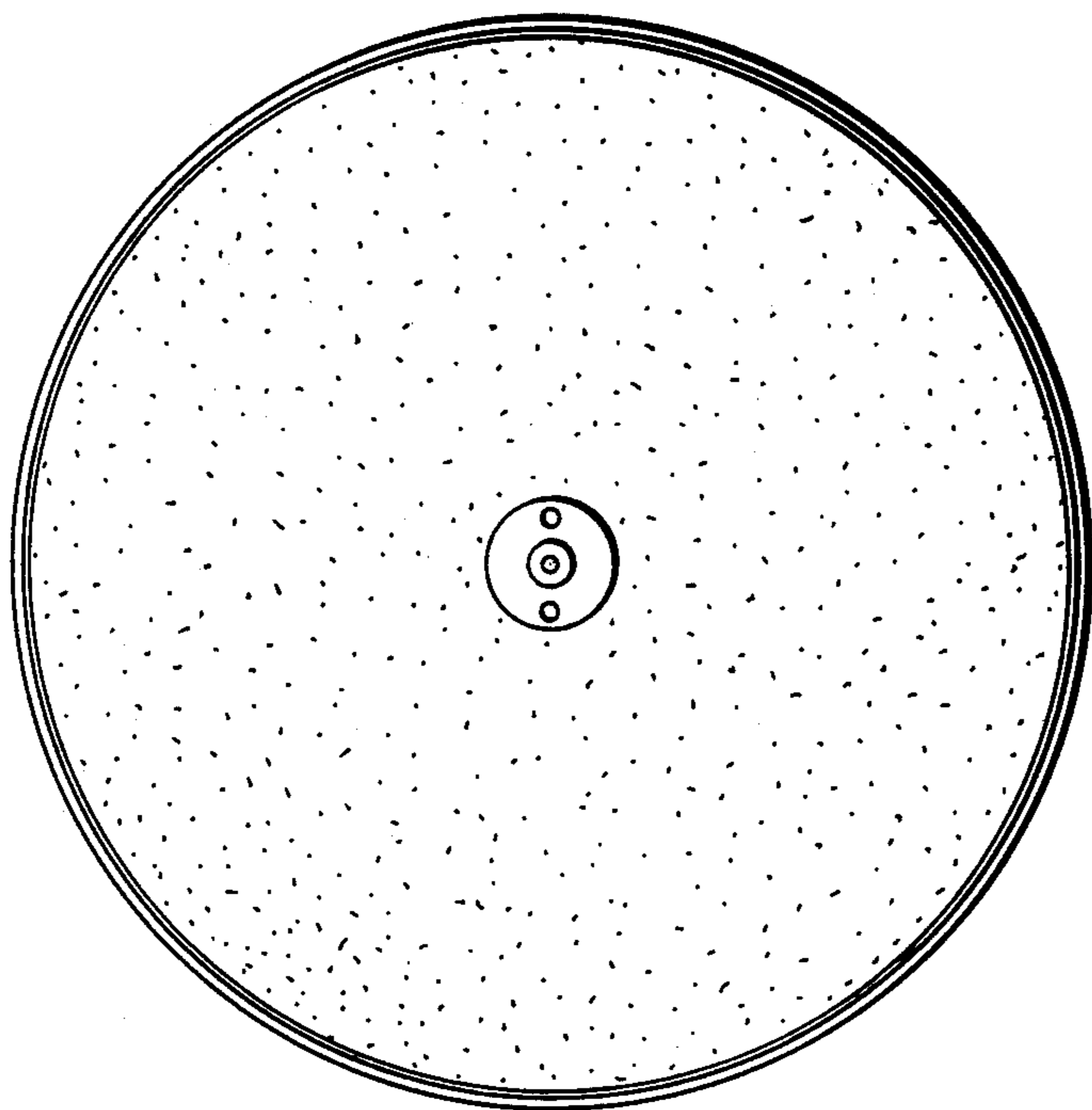
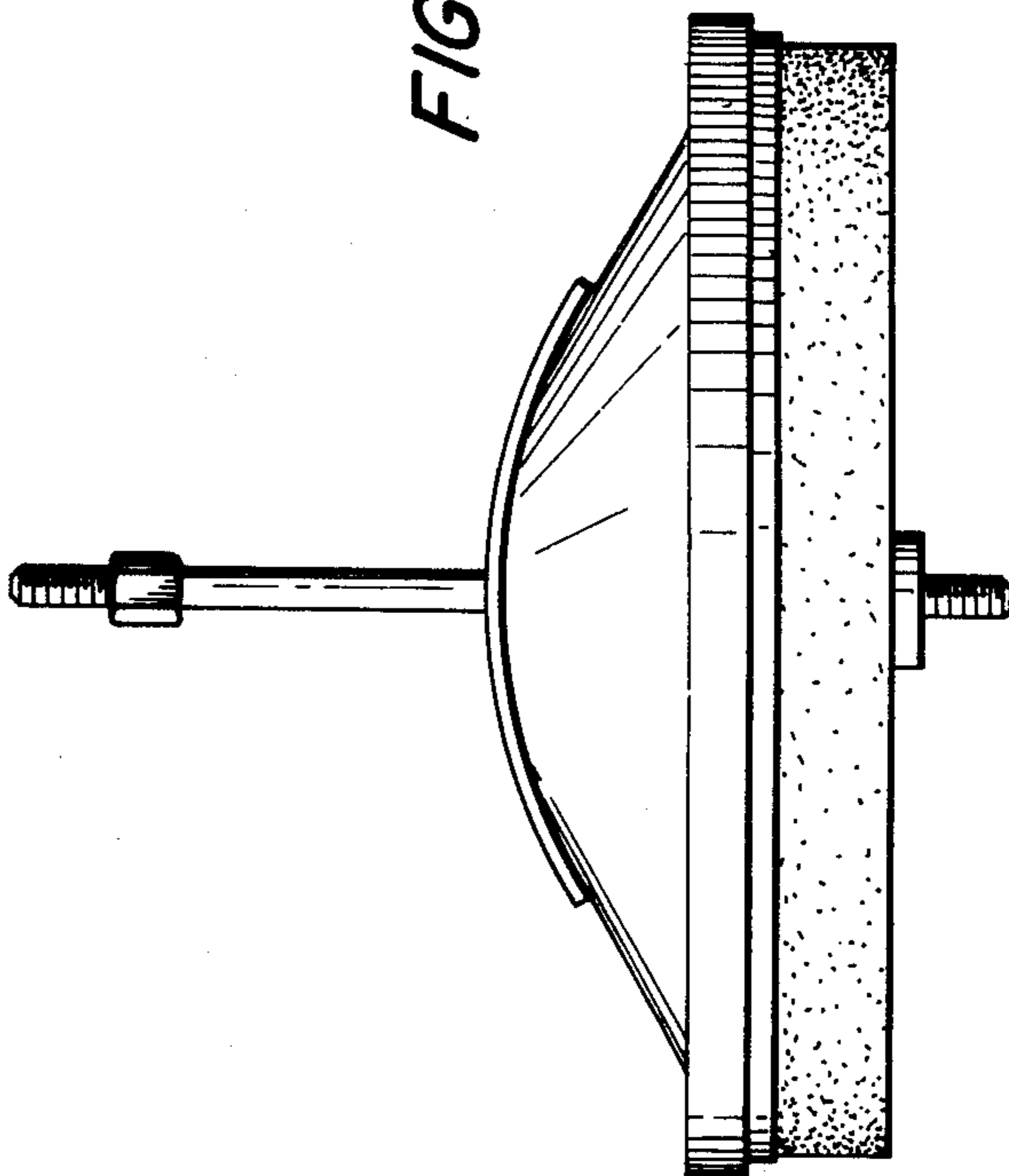


FIG. 1

