

[54] DUAL VIEWER ATTACHMENT FOR A MICROSCOPE

[75] Inventor: John T. Armbruster, Niagara Falls, N.Y.

[73] Assignee: American Optical Corporation, Southbridge, Mass.

[**] Term: 14 Years

[21] Appl. No.: 660,968

[22] Filed: Feb. 24, 1976

[51] Int. Cl. D16-06

[52] U.S. Cl. D16/83

[58] Field of Search D16/83, 58, 57; 350/33, 350/35

[56] References Cited

U.S. PATENT DOCUMENTS

| | | | |
|-----------|---------|----------------------|-----------|
| 1,360,735 | 11/1920 | Mazuel | 350/33 UX |
| 3,582,178 | 6/1971 | Boughton et al. | 350/33 X |
| 3,895,854 | 7/1975 | Ziffer | 350/33 |

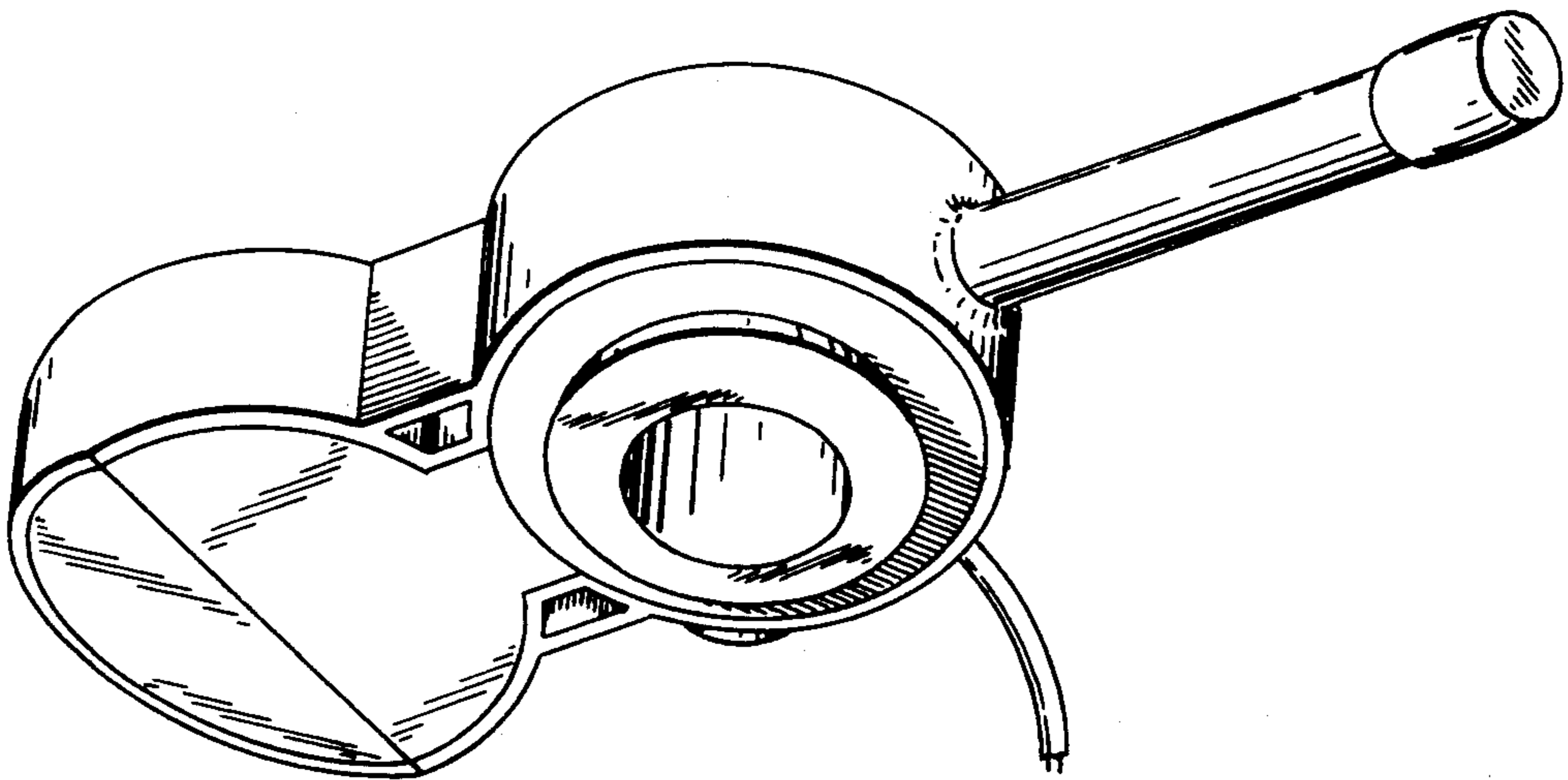
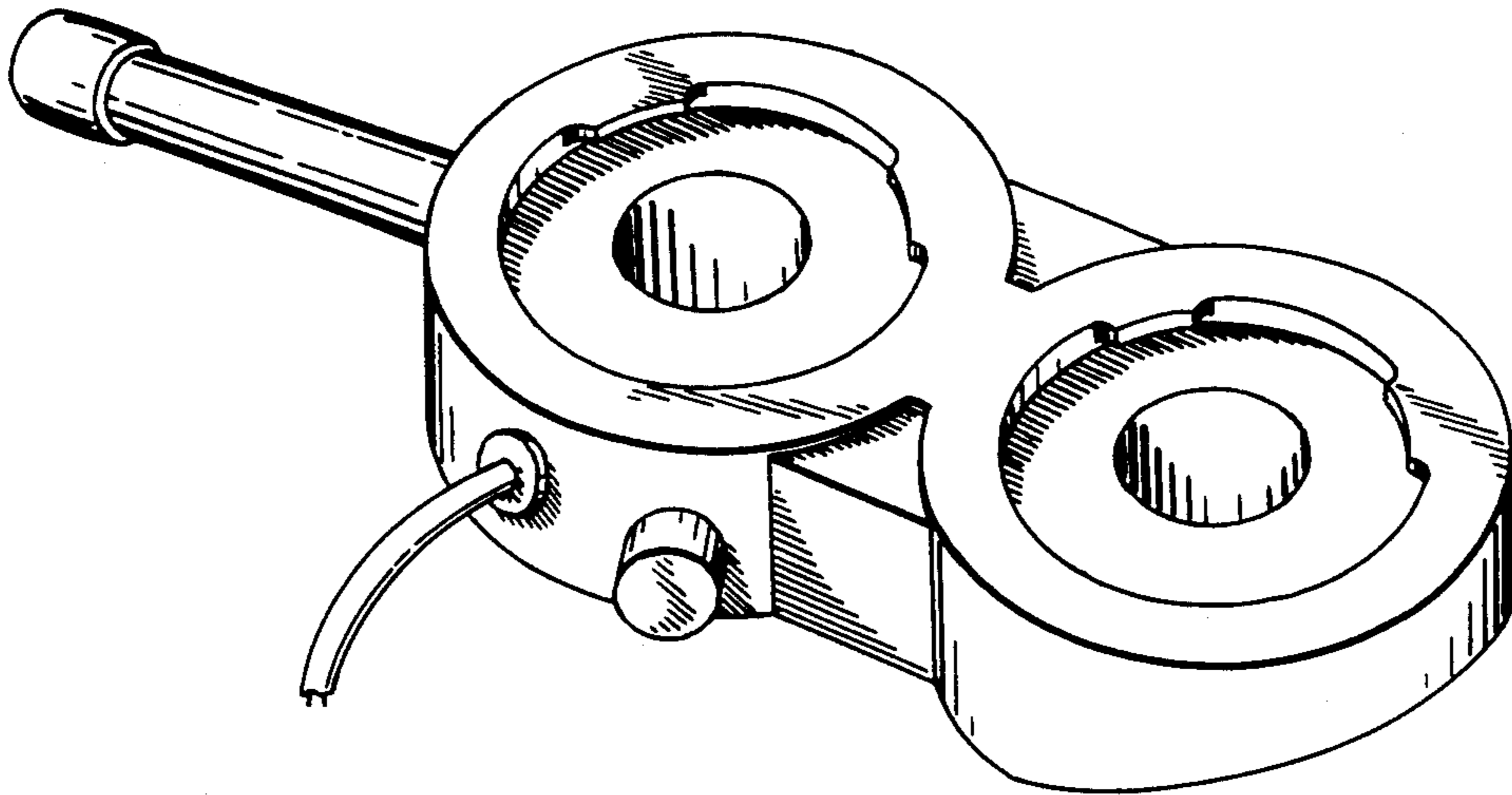
Primary Examiner—Bernard Ansher
Attorney, Agent, or Firm—William C. Nealon

[57] CLAIM

The ornamental design for a dual viewer attachment for a microscope, as shown and described.

DESCRIPTION

FIG. 1 is a top perspective view of a dual viewer attachment for a microscope showing my new design; FIG. 2 is a bottom perspective view thereof.



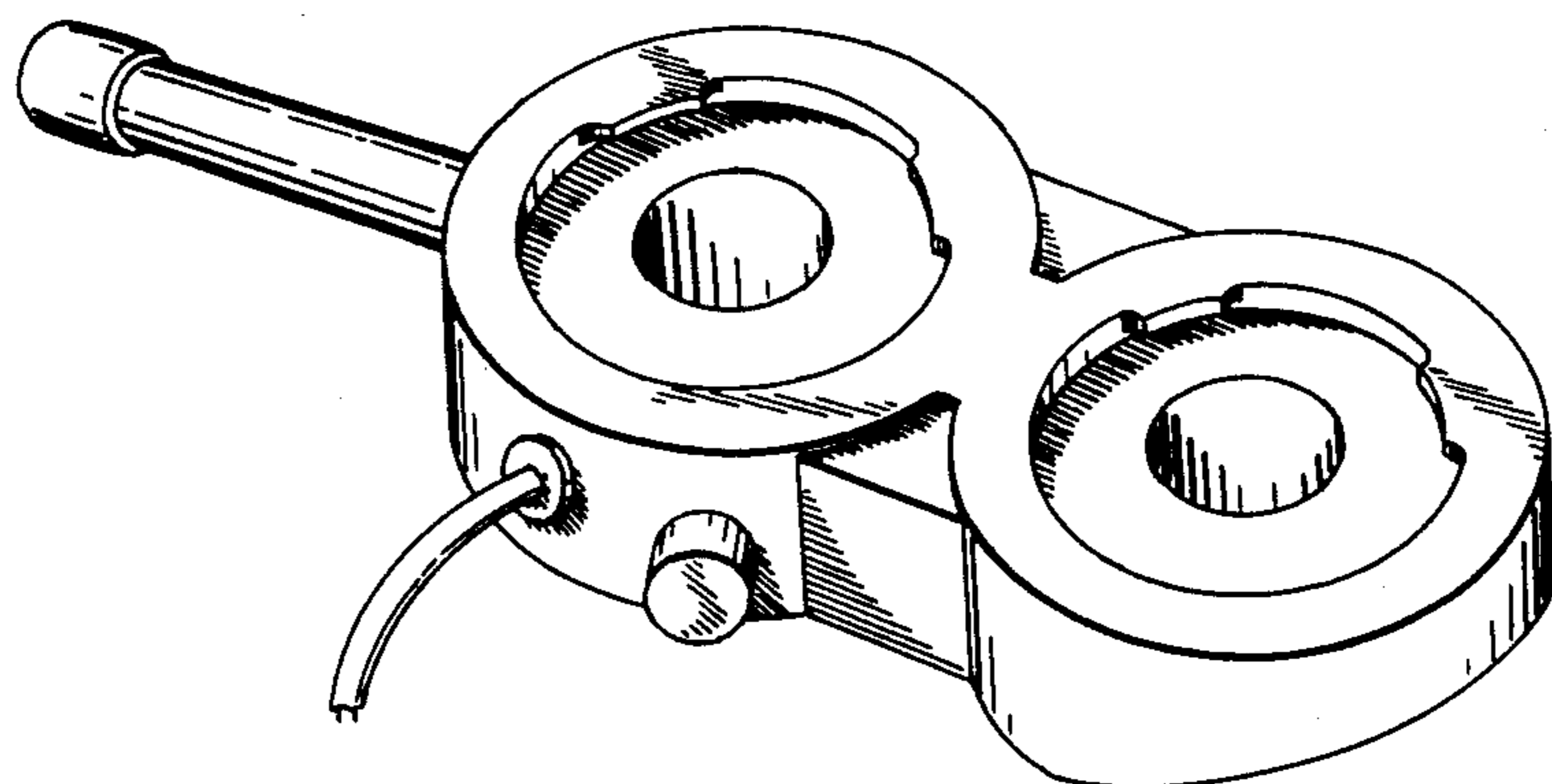


Fig. 1

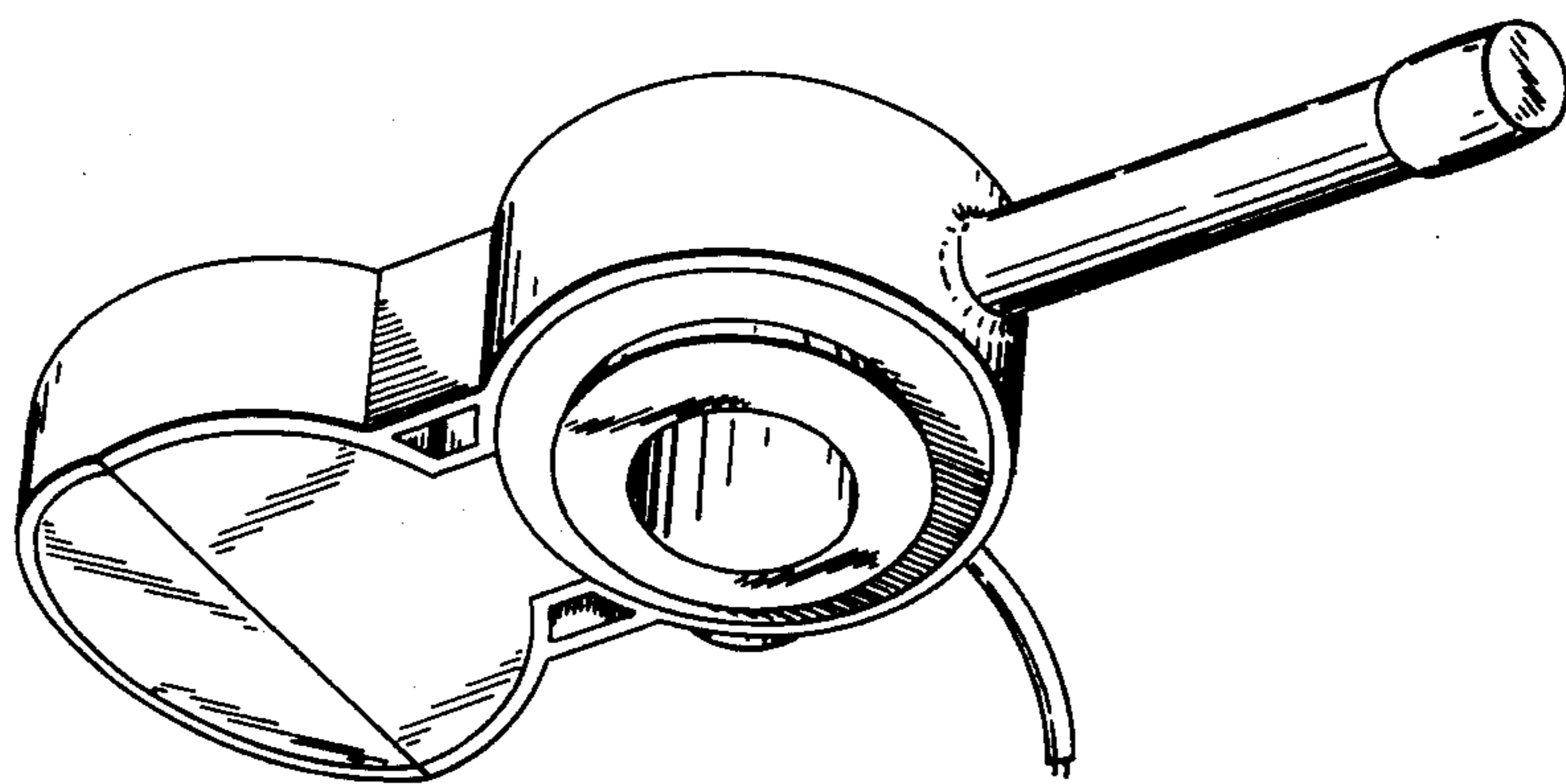


Fig. 2