

[54] CAMERA CARRYING DEVICE  
 [76] Inventor: Harry E. Mazur, P.O. Box 4508,  
 Palm Springs, Calif. 92262  
 [\*\*] Term: 14 Years  
 [21] Appl. No.: 714,610  
 [22] Filed: Aug. 16, 1976  
 [51] Int. Cl. .... D16—05; D3—02  
 [52] U.S. Cl. .... D16/44  
 [58] Field of Search ..... D16/44; D87/5 E;  
 D6/137; D11/148; 150/52 R, 52 J; 224/5 R, 5  
 V, 26 R, 45 R, 48 R; 211/13, 86, 113, 126

[56] **References Cited**  
 U.S. PATENT DOCUMENTS  
 D. 223,637 5/1972 Mazur ..... D16/44

3,870,209 3/1975 Mazur ..... 224/5 V  
 3,910,470 10/1975 Swenson et al. .... 224/5 V  
 3,912,137 10/1975 Tomatsuri ..... 224/5 V

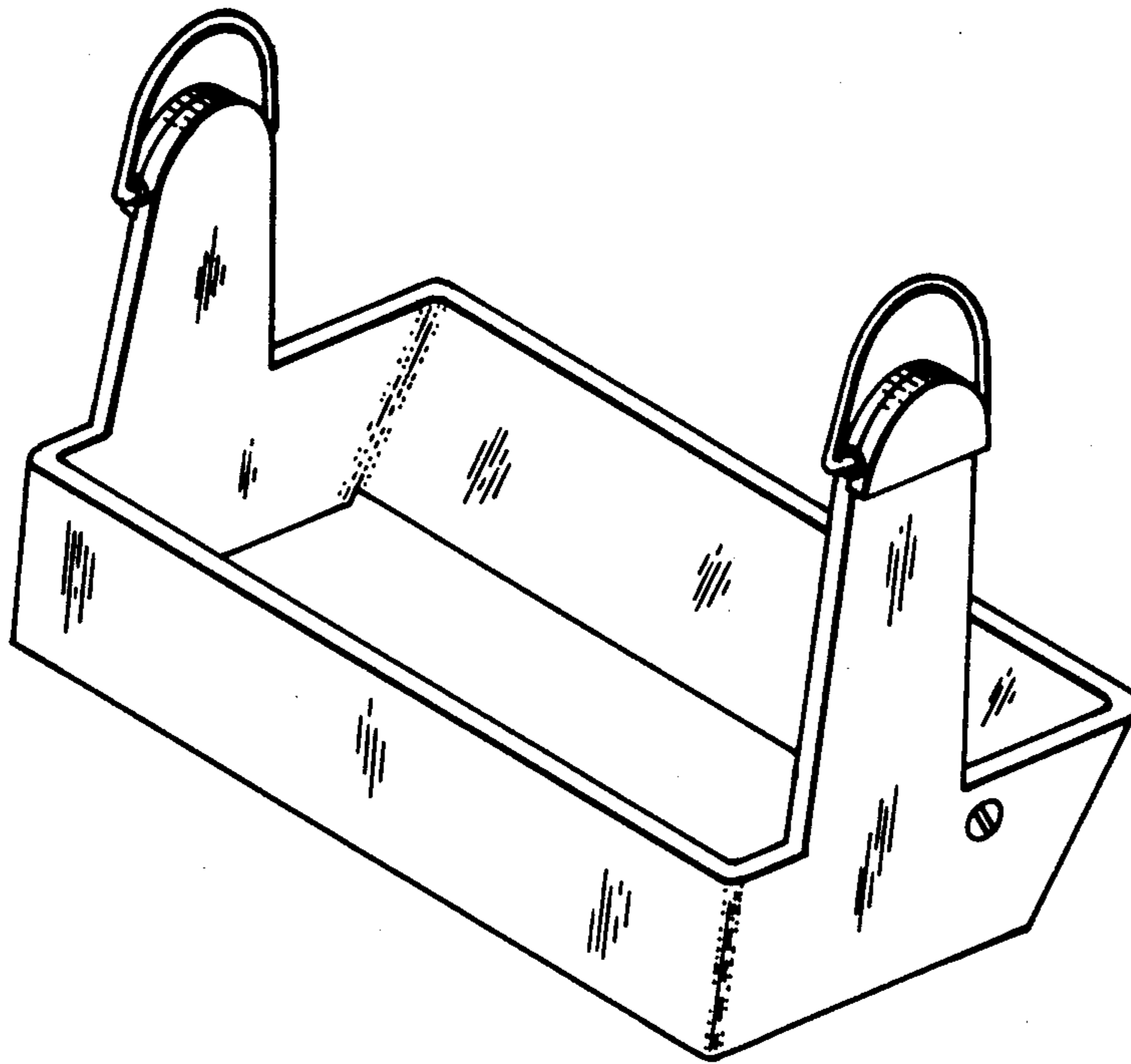
*Primary Examiner*—Wallace R. Burke  
*Assistant Examiner*—Catherine E. Kemper  
*Attorney, Agent, or Firm*—Manfred M. Warren

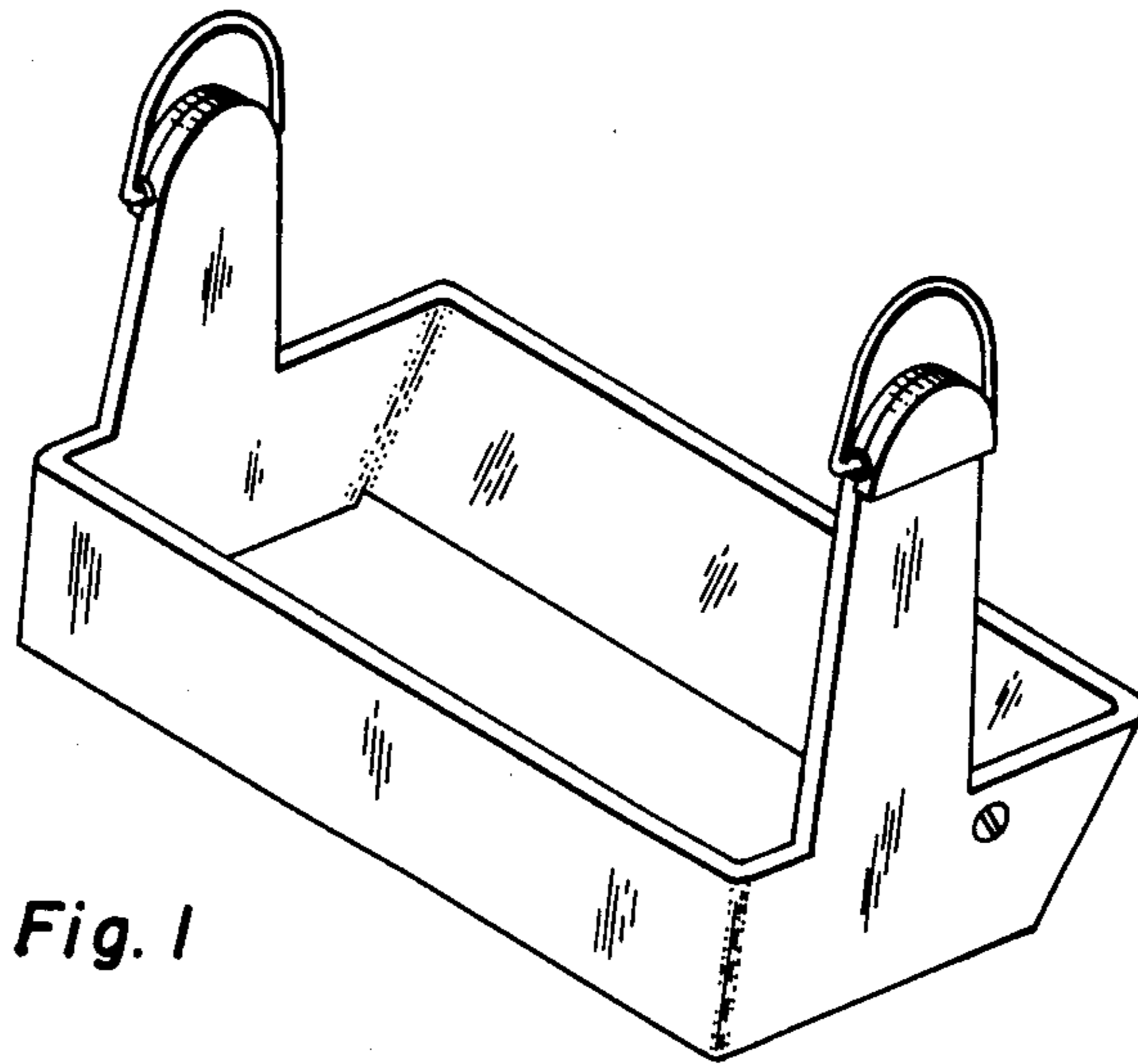
[57] CLAIM

The ornamental design for a camera carrying device, as shown and described.

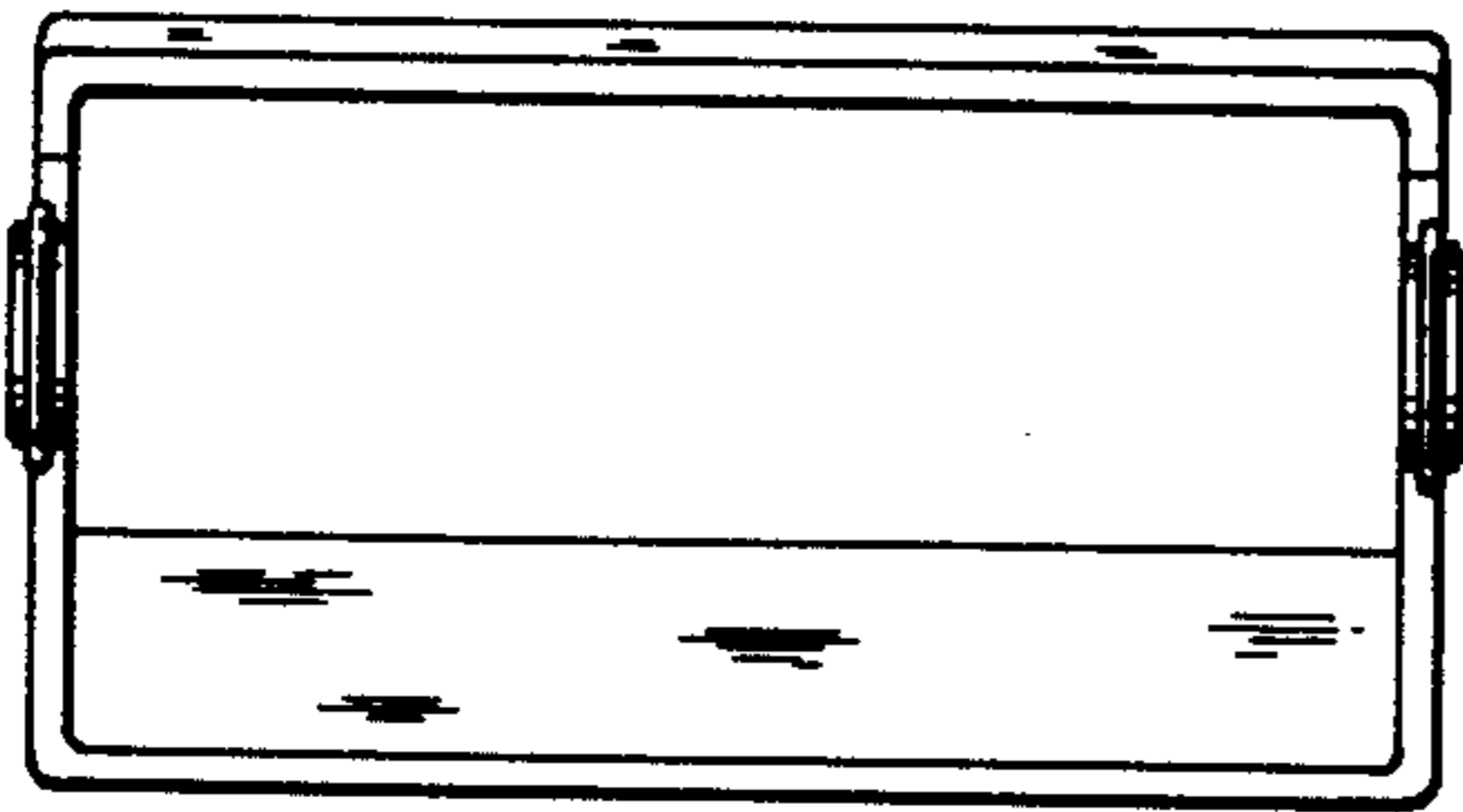
DESCRIPTION

FIG. 1 is a perspective view of a camera carrying device showing my new design;  
 FIG. 2 is a top plan view thereof;  
 FIG. 3 is a rear elevation view thereof;  
 FIG. 4 is a right side elevation thereof; and  
 FIG. 5 is a bottom plan view thereof.

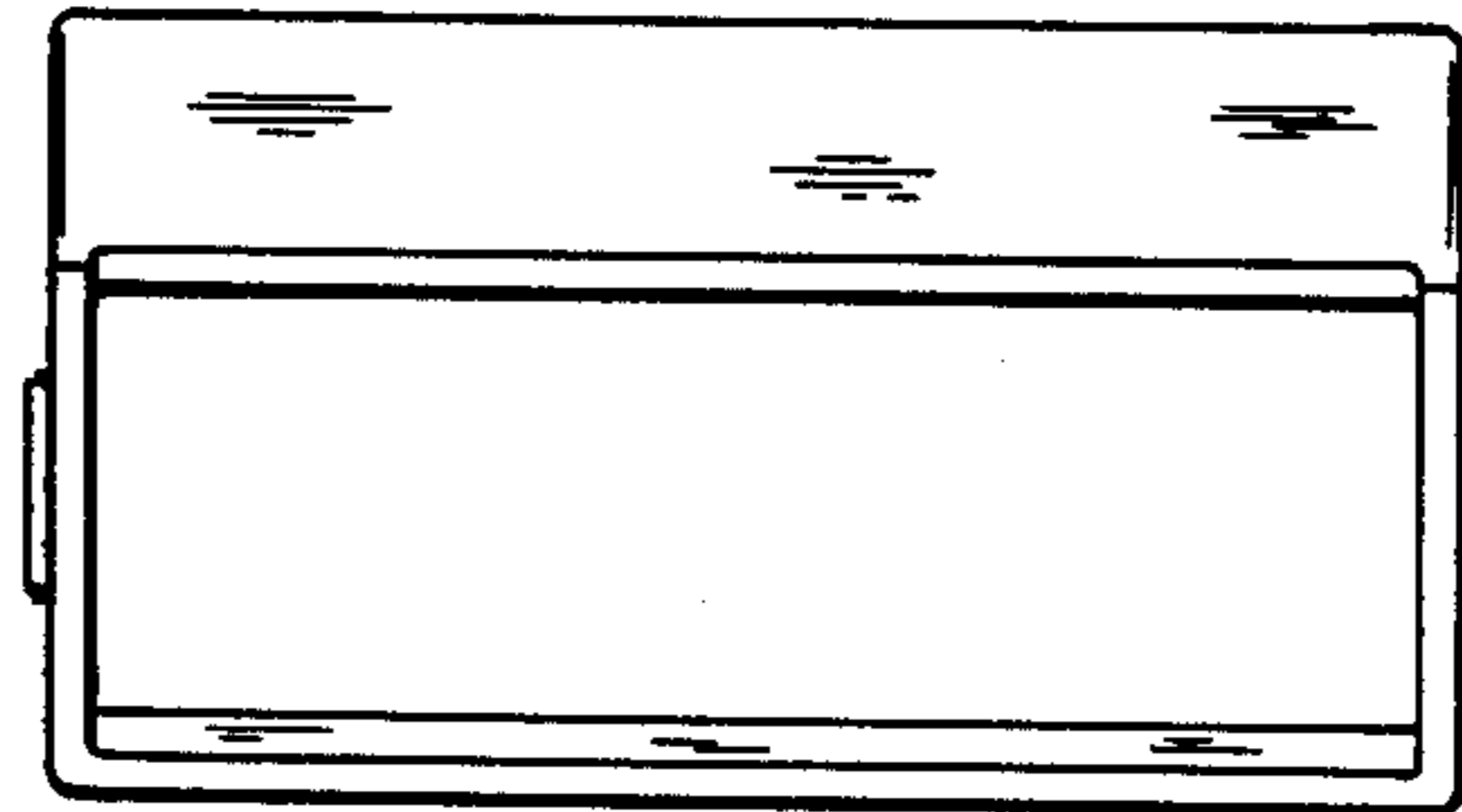




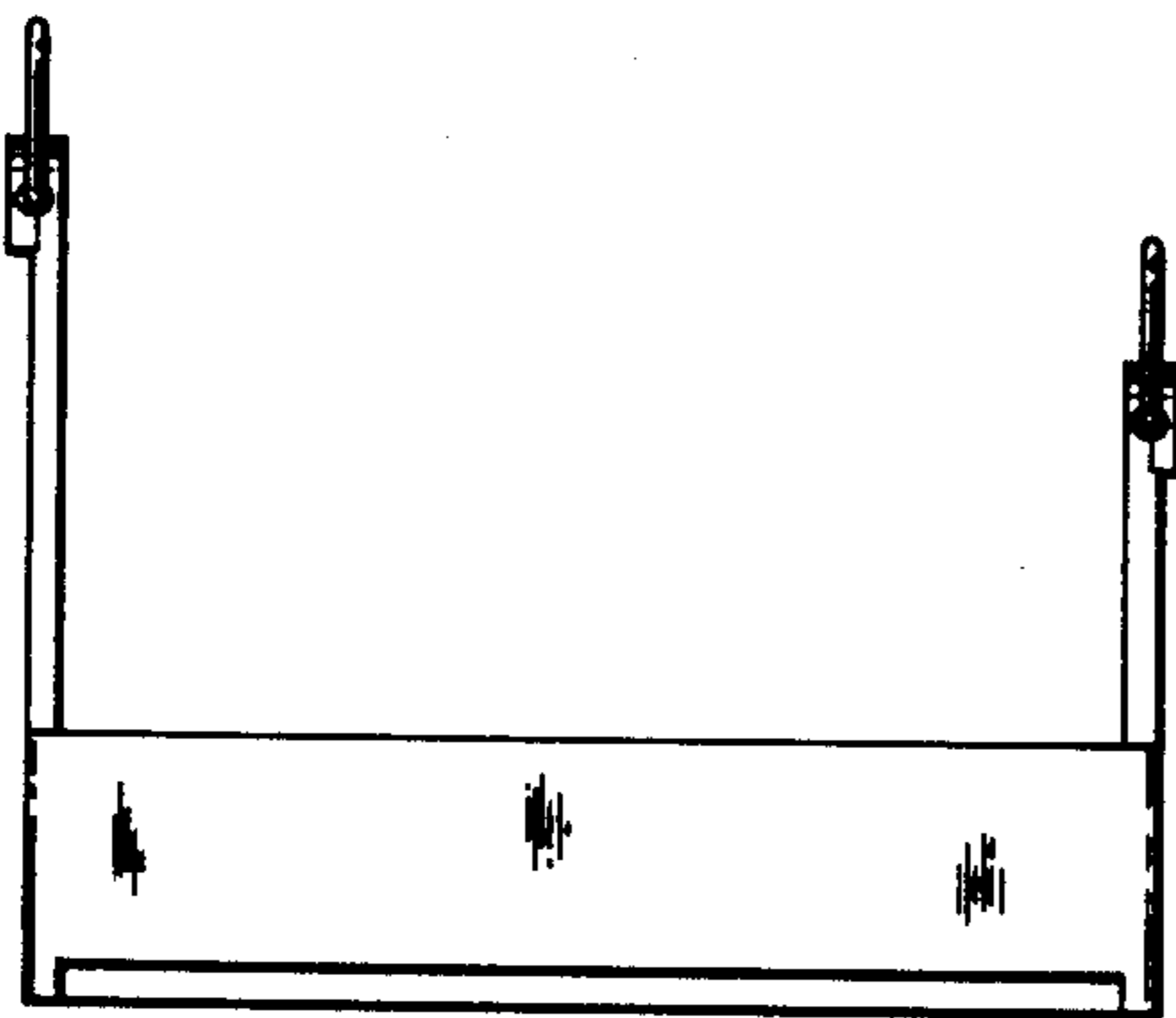
*Fig. 1*



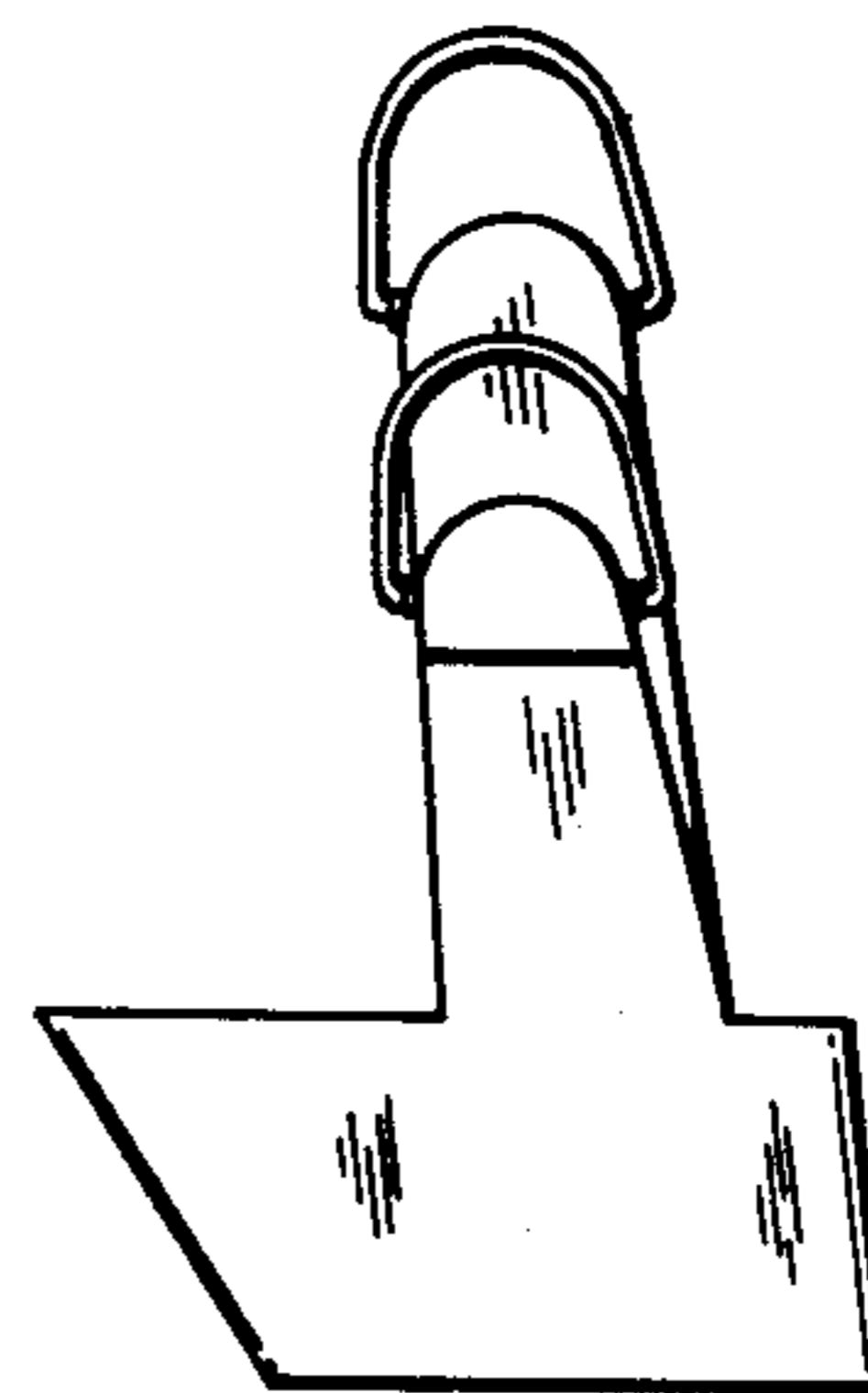
*Fig. 2*



*Fig. 5*



*Fig. 3*



*Fig. 4*