

[54] INVALID'S CHAIR

[76] Inventor: Robert D. Gunnell, 7768 Waterman Road, Vassar, Mich. 48768

[**] Term: 14 Years

[21] Appl. No.: 661,058

[22] Filed: Feb. 25, 1976

[51] Int. Cl. D24-01

[52] U.S. Cl. D12/54

[58] Field of Search 5/86, 81, 85, 87; D12/54, 53; D24/64

D. 205,982	10/1966	Reimold et al.	D12/54
D. 232,777	9/1974	Fortnam	D24/7
3,310,816	3/1967	James et al.	5/83
3,940,808	3/1976	Petrini	5/86
3,999,227	12/1976	Ingemansson	5/86

Primary Examiner—Bernard Ansher
Attorney, Agent, or Firm—John F. Learman

[57] CLAIM

The ornamental design for an invalid's chair, as shown.

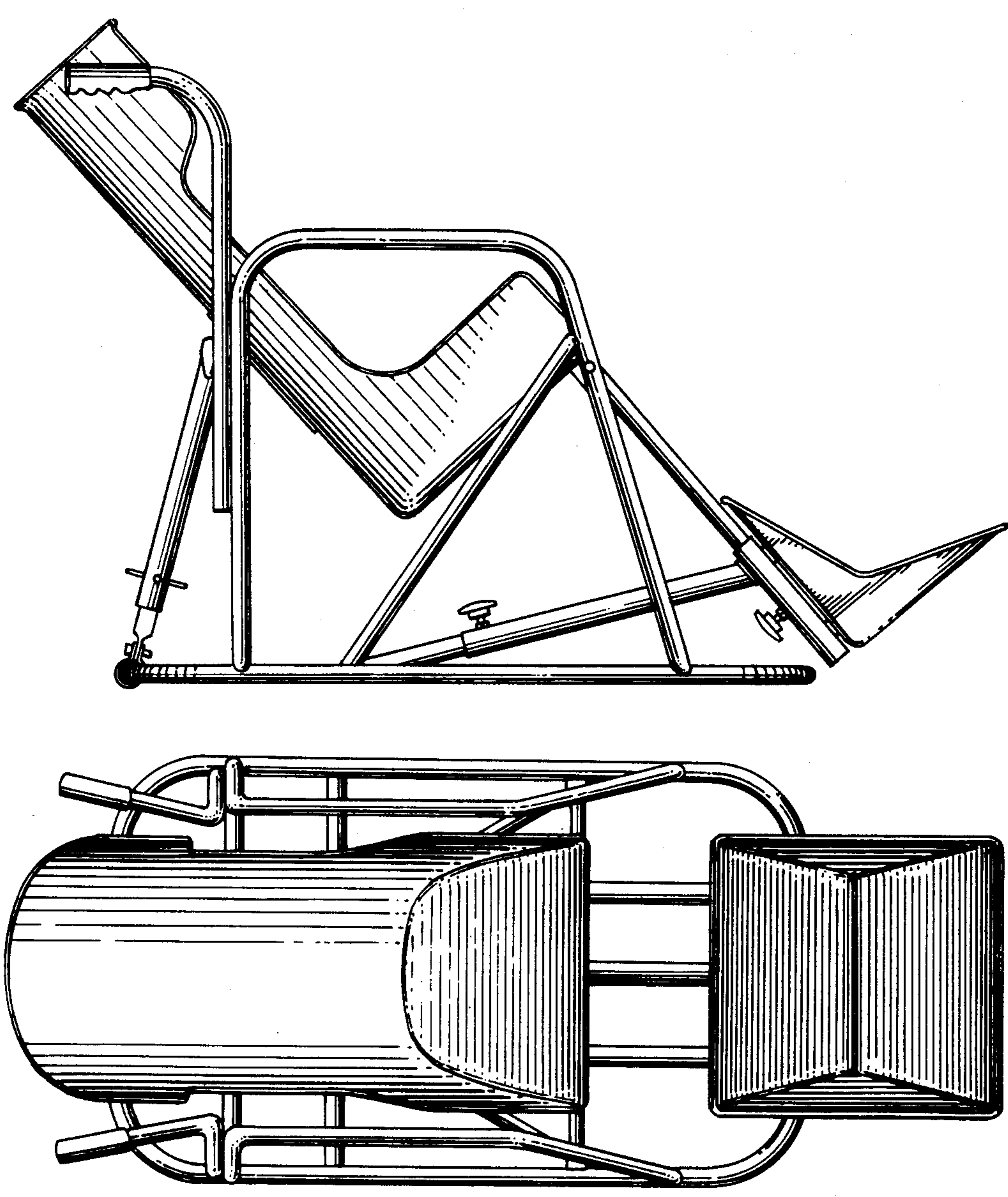
DESCRIPTION

FIG. 1 is a side elevational view of an invalid's chair incorporating my new design;
FIG. 2 is a top plan view thereof;
FIG. 3 is a side elevational view of the opposite side thereof;
FIG. 4 is a rear elevational view thereof; and
FIG. 5 is a front elevational view thereof.

[56] References Cited

U.S. PATENT DOCUMENTS

D. 165,598	1/1952	Nelson	D12/54
D. 202,082	8/1965	Reimold et al.	D12/53



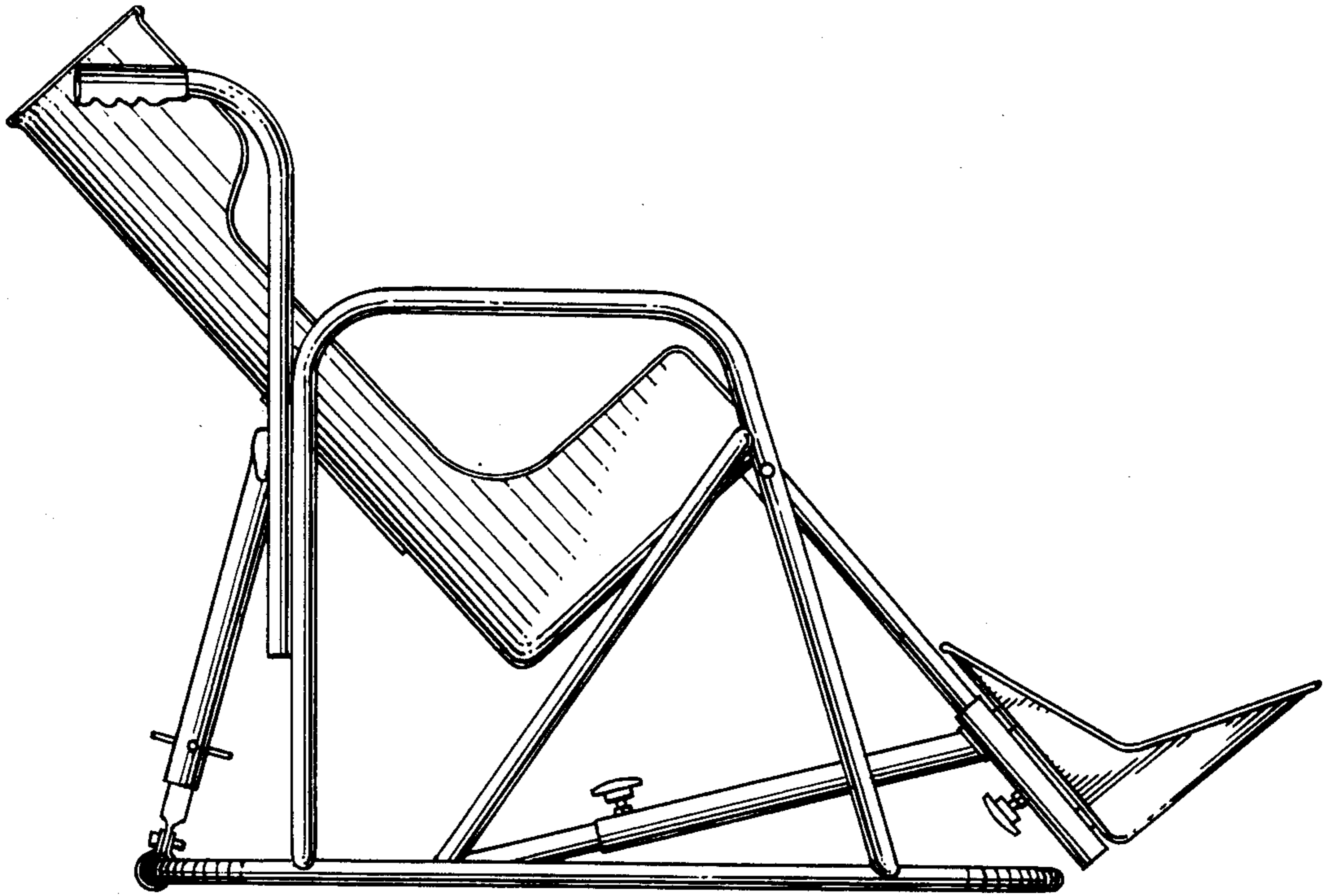


FIG. 1

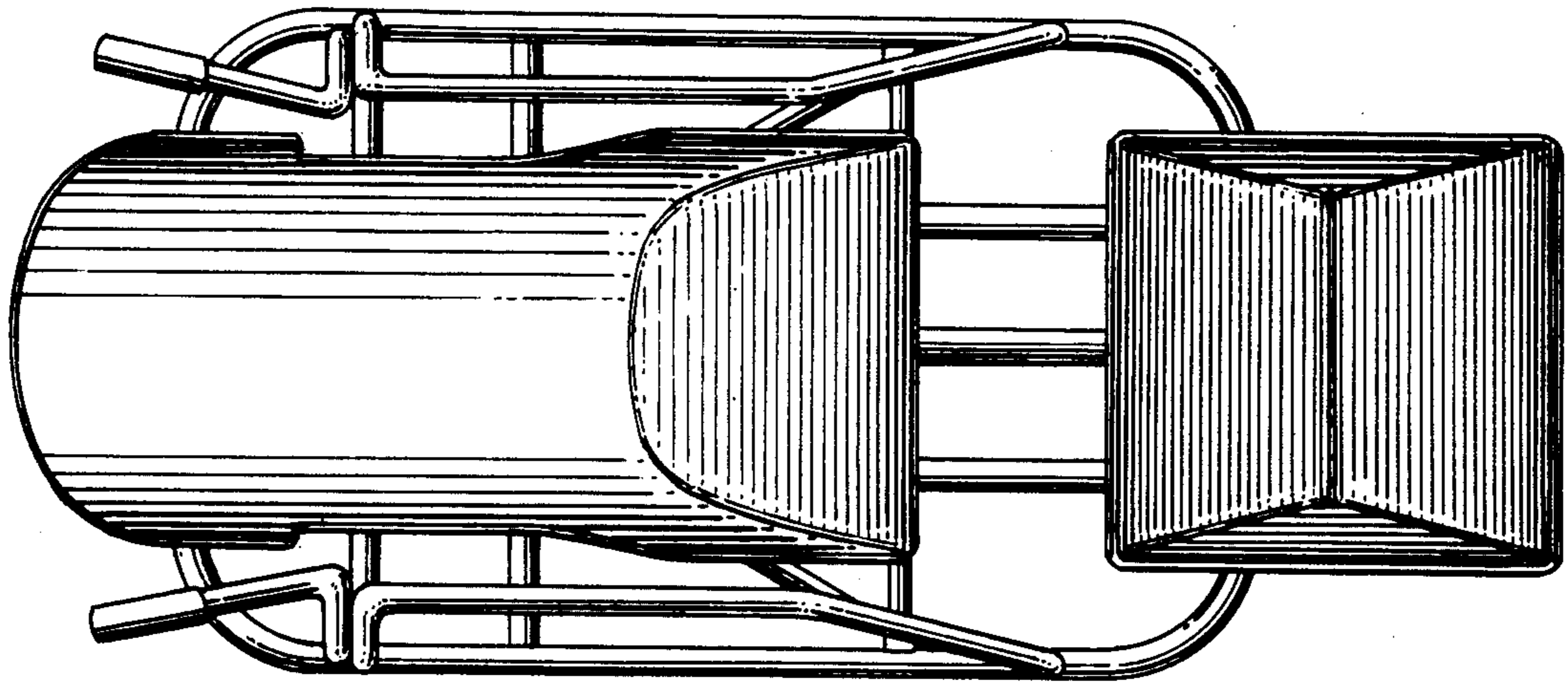


FIG. 2

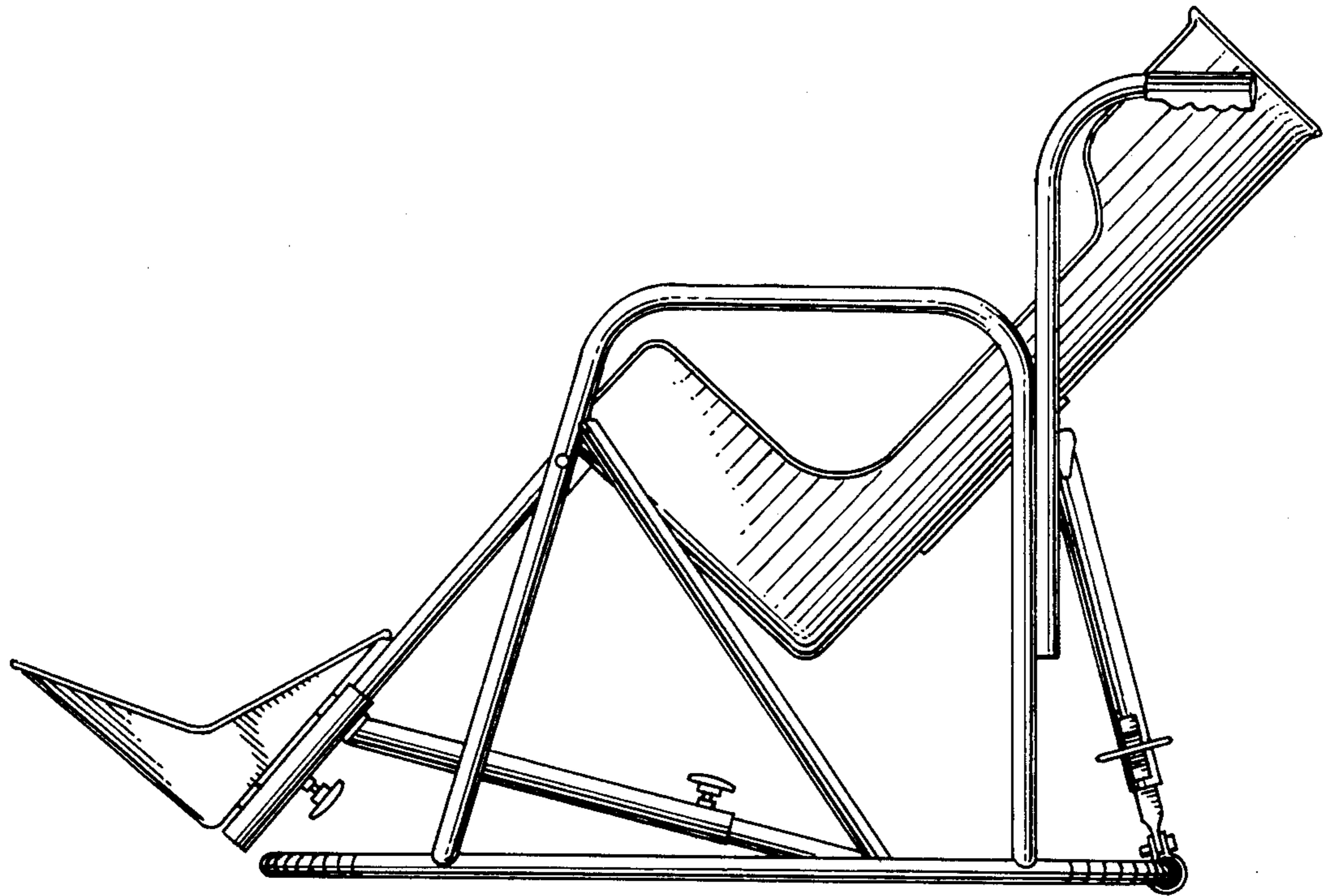


FIG. 3

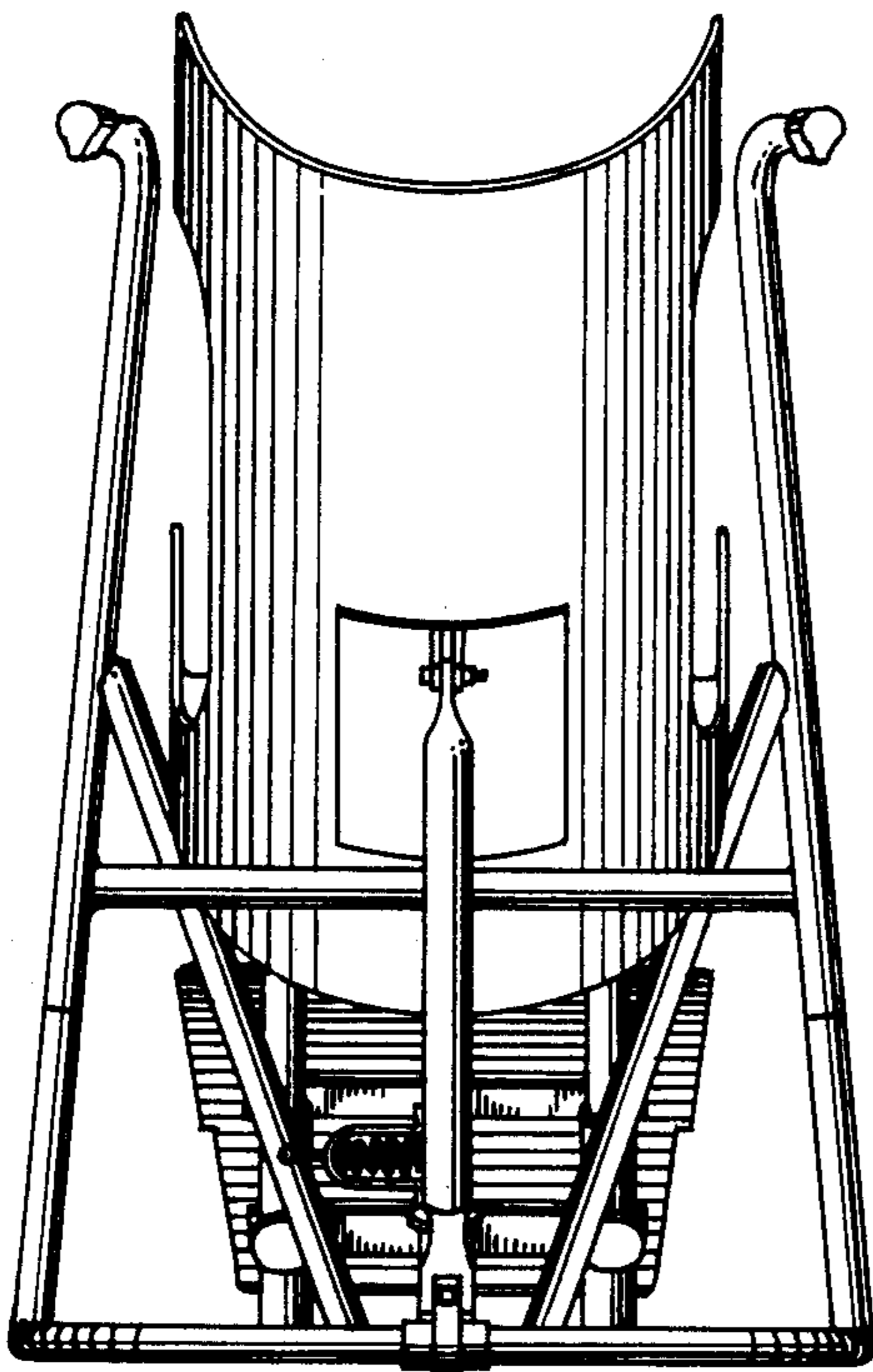


FIG. 4

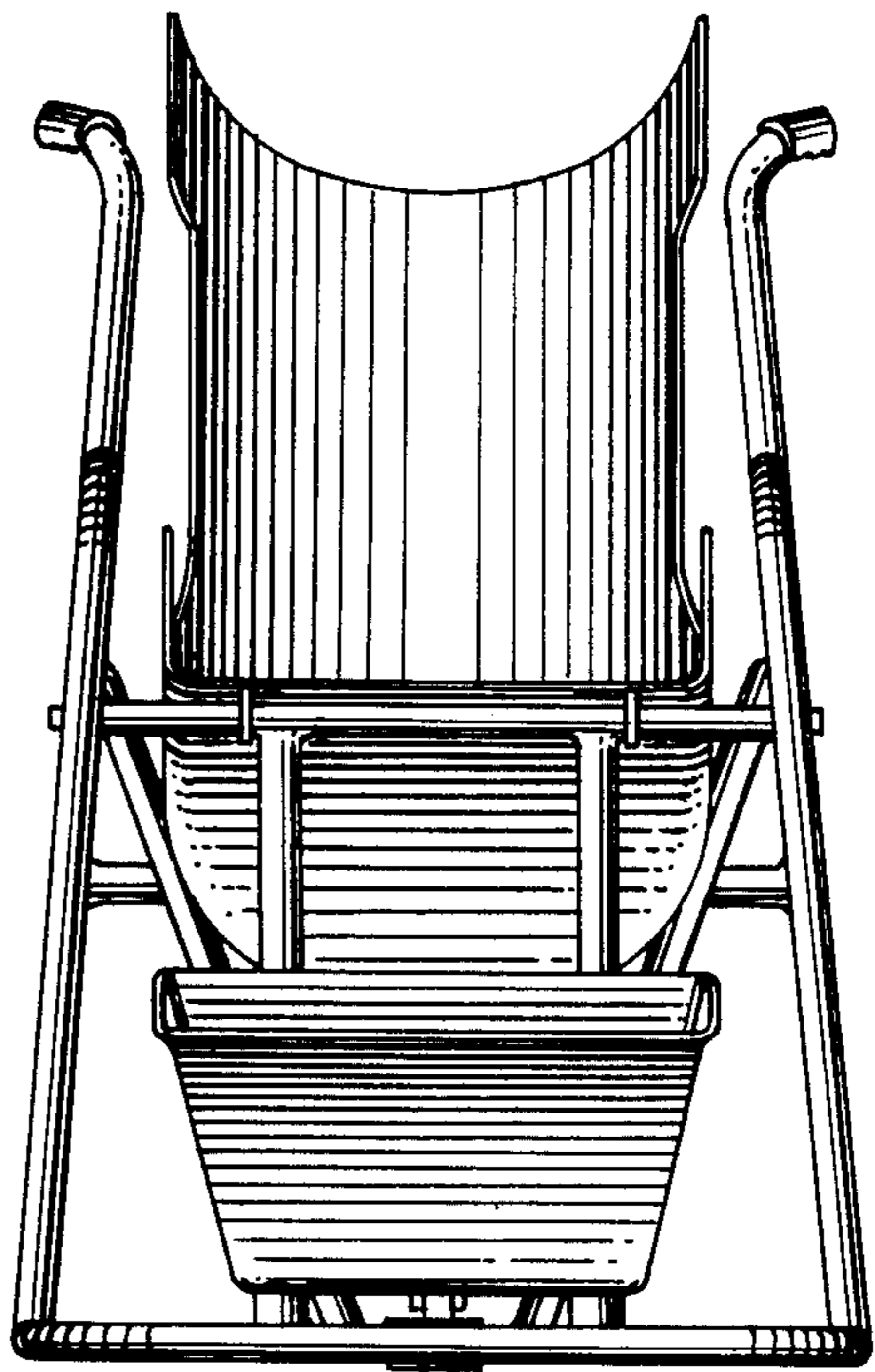


FIG. 5