

[54] SPECTROPHOTOFLUOROMETER

[75] Inventors: James G. Bruni, Glendale; Stephen G. Hauser, Tarzana, both of Calif.; David Lynnwood Lessner, Baltimore; James Herbert Macemon, Glen Burnie, both of Md.

[73] Assignee: Baxter Travenol Laboratories, Inc.

[**] Term: 14 Years

[21] Appl. No.: 689,436

[22] Filed: May 24, 1976

[51] Int. Cl. D24-01

[52] U.S. Cl. D10/46

[58] Field of Search D32/2 C; 356/96; D10/40, 46; D24/8

[56]

References Cited

U.S. PATENT DOCUMENTS

D. 202,340	9/1965	Staunton	D32/2 C
D. 209,823	1/1968	Waligorski	D32/2 C
D. 211,634	7/1968	Derkas et al.	D32/2 C
3,554,648	1/1971	Boostrom et al.	356/96
3,702,736	11/1972	Coggeshall	356/96

Primary Examiner—Bernard Ansher

Attorney, Agent, or Firm—Richard G. Kinney

[57]

CLAIM

The ornamental design for a spectrophotofluorometer, as shown and described.

DESCRIPTION

FIG. 1 is a front perspective view of a spectrophotofluorometer showing my new design; FIG. 2 is a side elevation thereof; FIG. 3 is a top plan view thereof; FIG. 4 is a rear elevation thereof; FIG. 5 is a rear perspective view thereof; and FIG. 6 is a front elevation thereof.

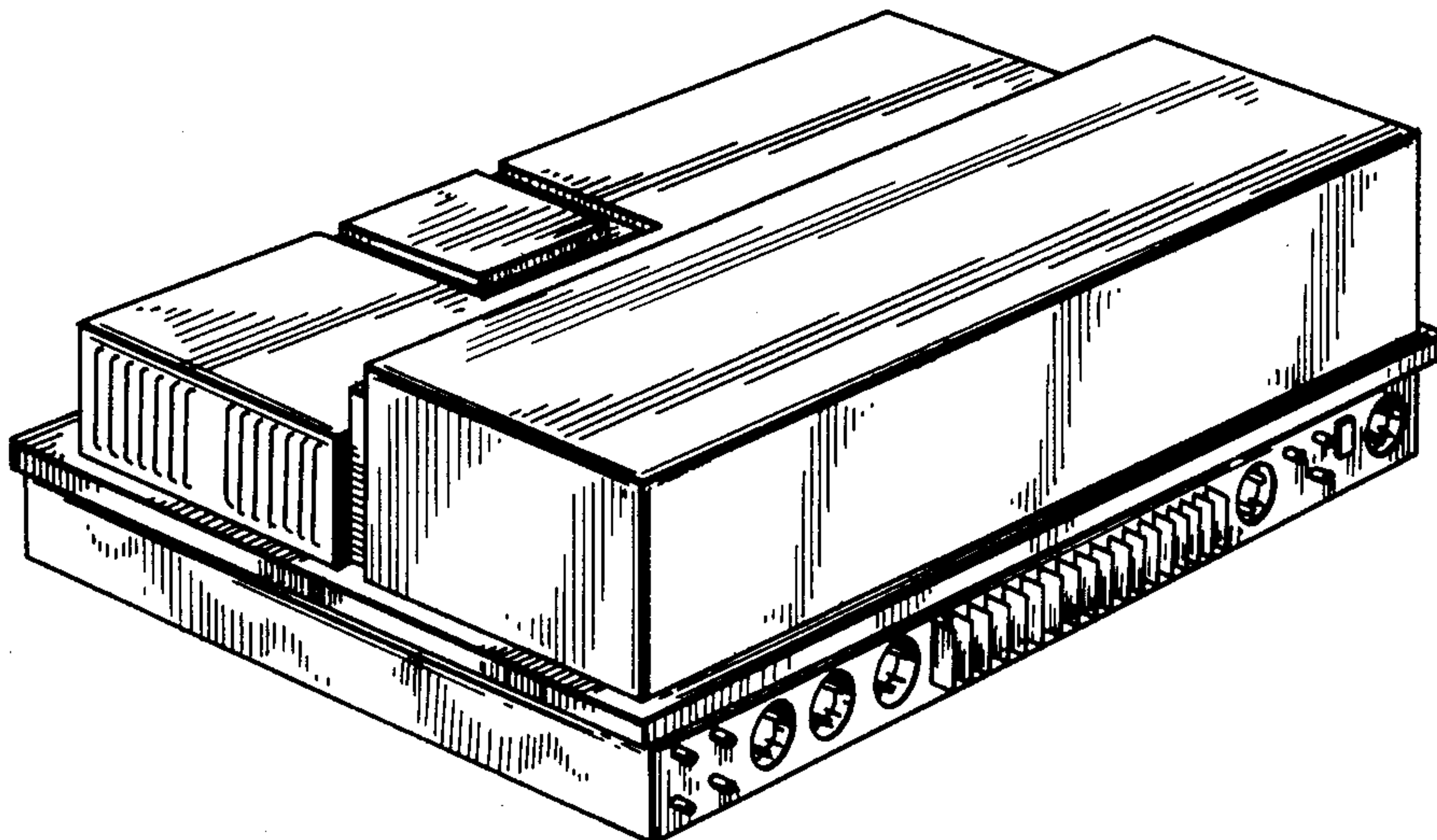
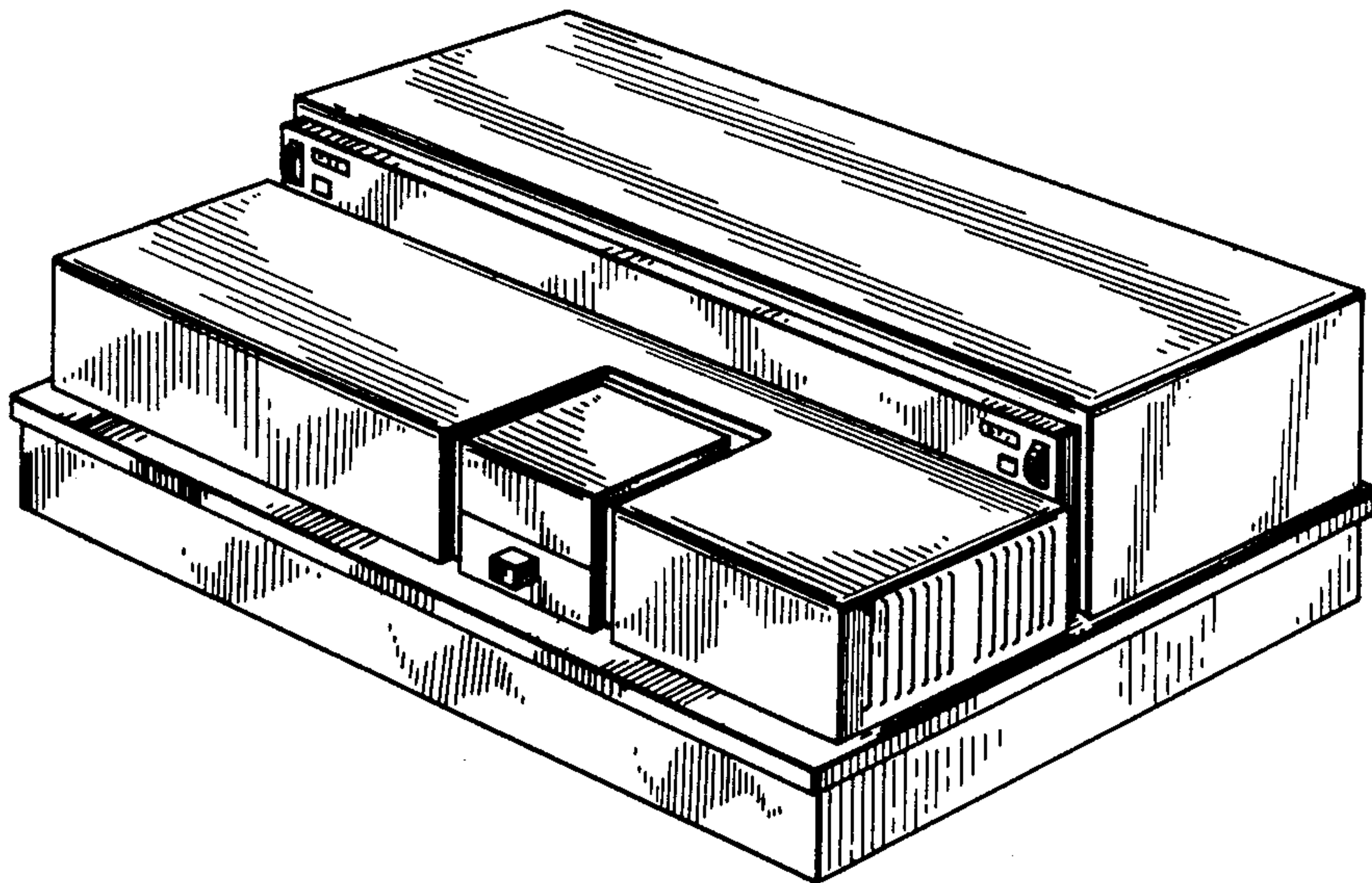


FIG. 1

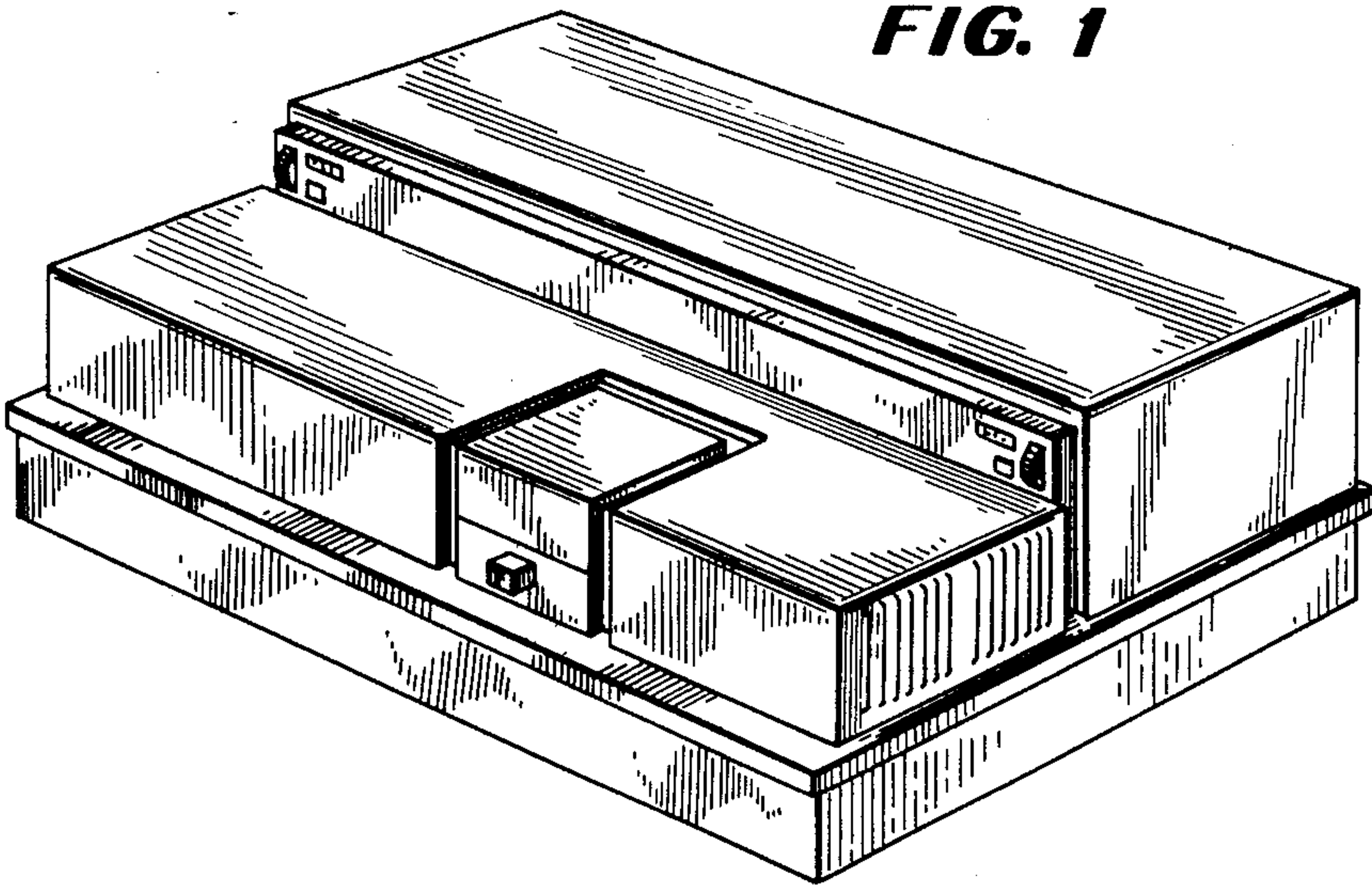


FIG. 2

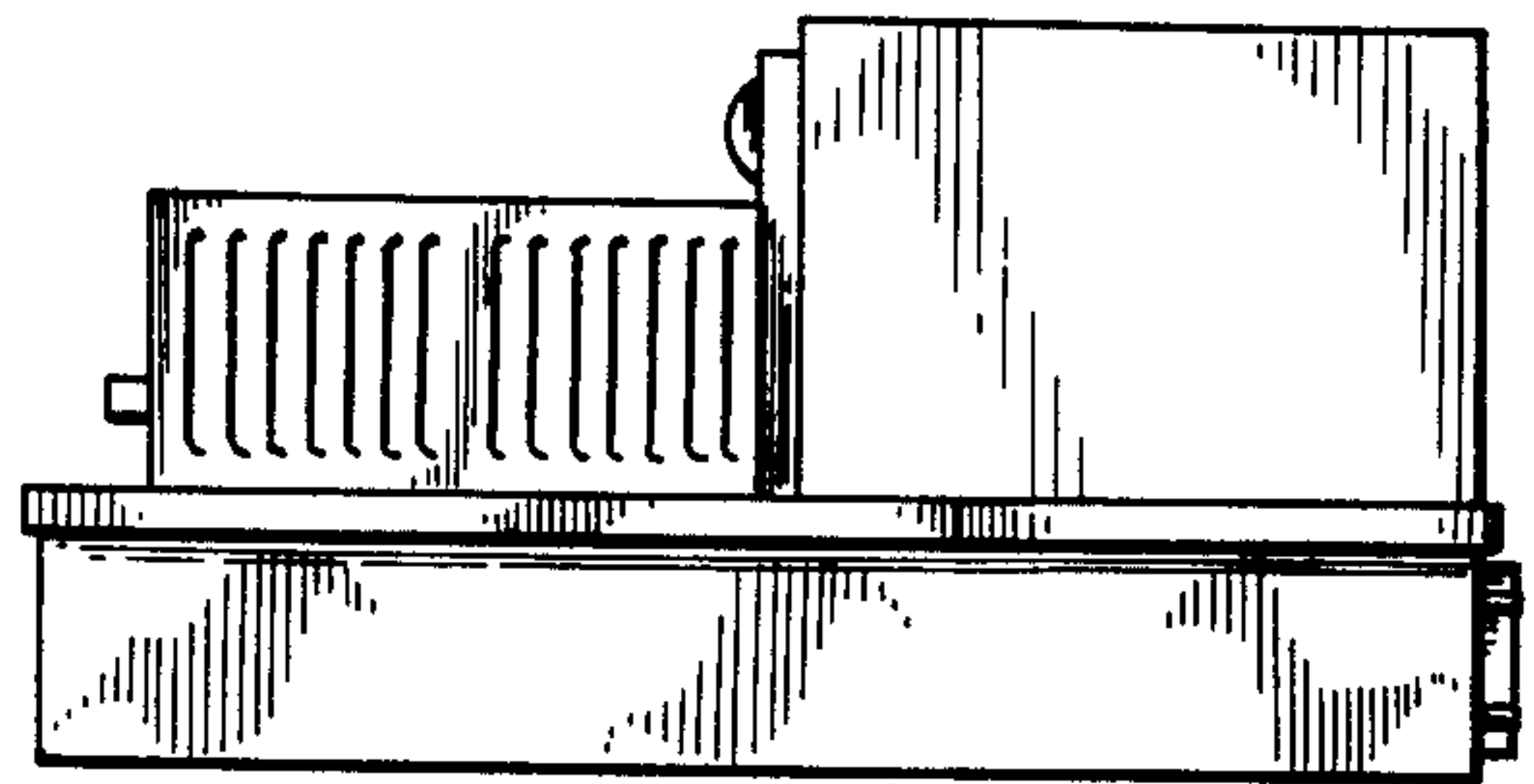


FIG. 3

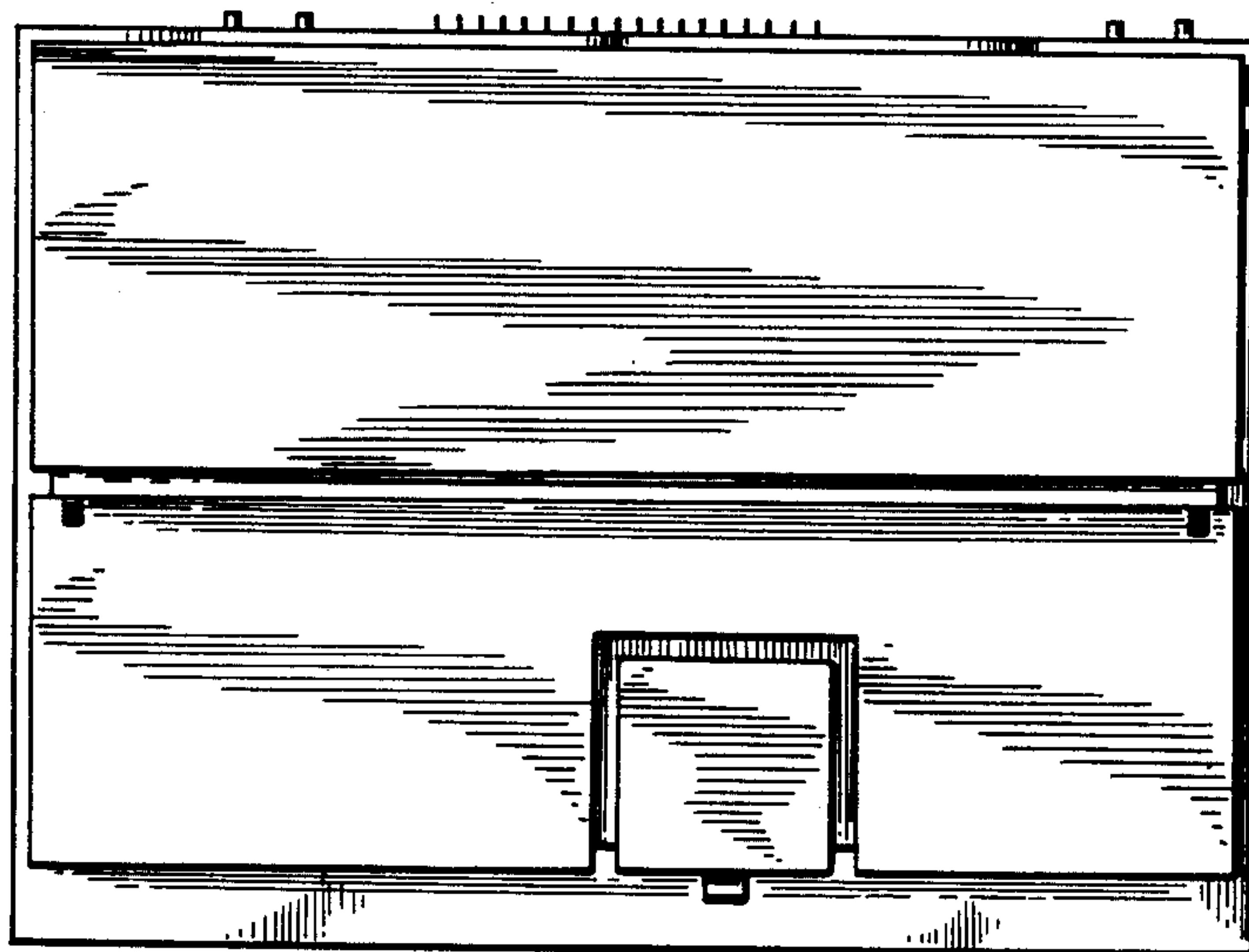


FIG. 4

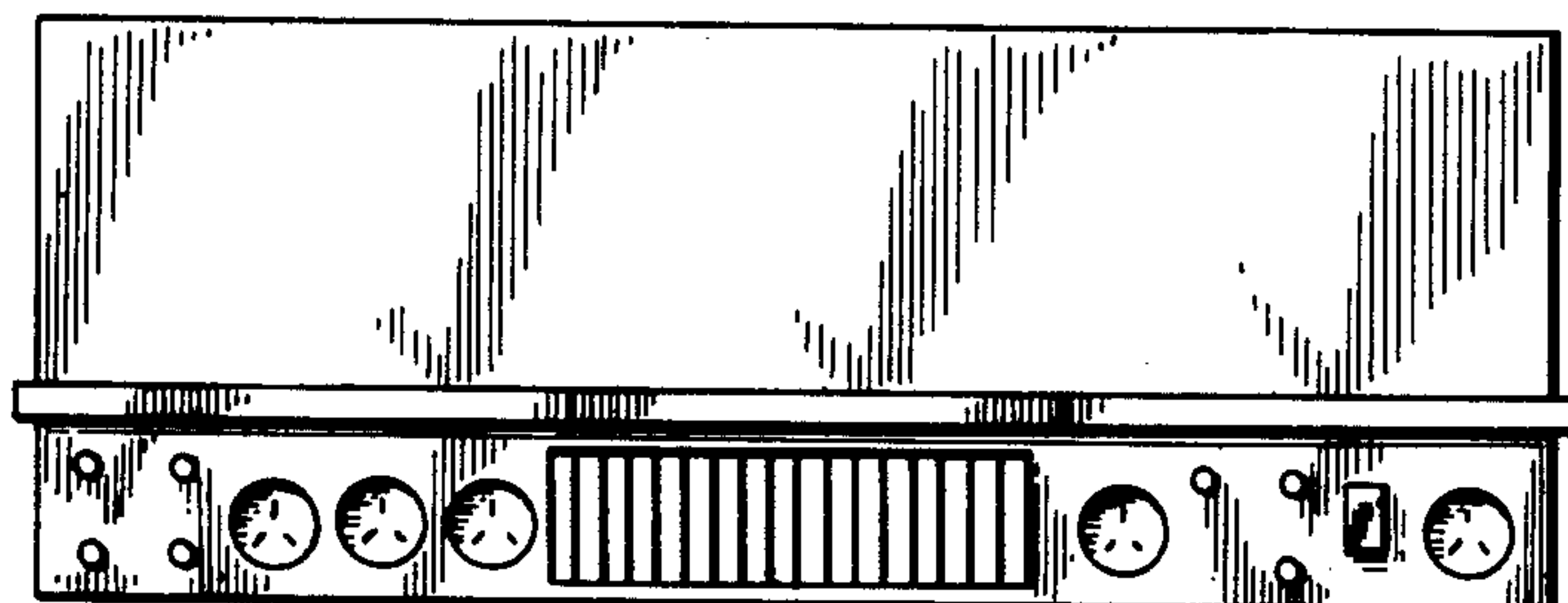


FIG. 5

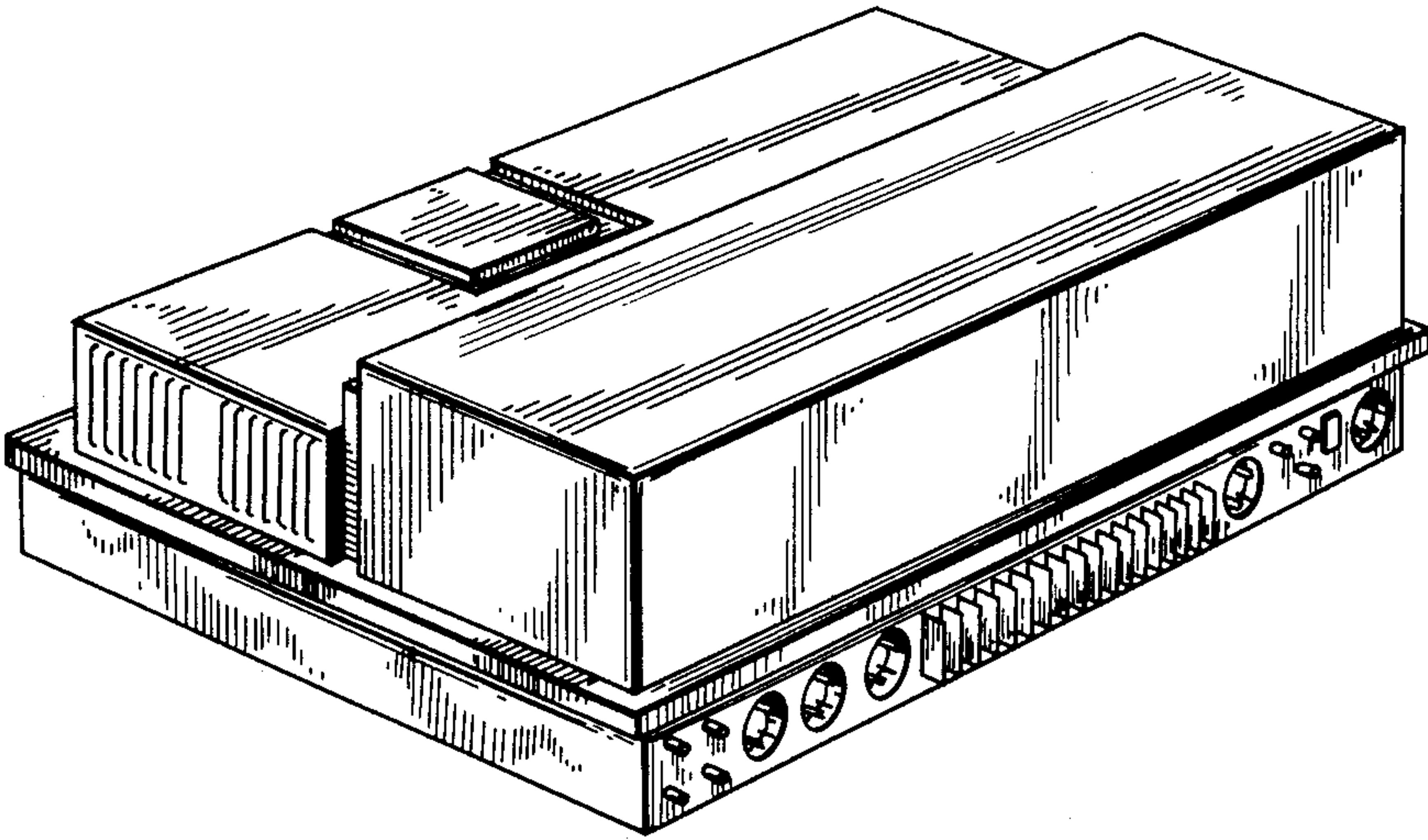


FIG. 6

