

[54] COMBINED COVER AND DISPENSER FOR A JAR OR THE LIKE

[76] Inventor: Sidney L. Young, Rte. 1, Delta, Utah 84624

[**] Term: 14 Years

[21] Appl. No.: 638,470

[22] Filed: Dec. 8, 1975

[51] Int. Cl. D7-01

[52] U.S. Cl. D7/131

[58] Field of Search D7/39, 52, 59, 131, D7/65; 222/475, 465, 570, 556; D9/264, 275

[56] References Cited

U.S. PATENT DOCUMENTS

D. 110,559	7/1938	Bernhardt	D7/131
D. 114,536	5/1939	Hacmac	D7/131
D. 121,154	6/1940	Bernhardt	D7/131

D. 167,142	7/1952	Goldrosen	D7/131
2,676,732	4/1954	Greenwood	222/465 X
2,886,218	5/1959	Marcus	222/556 X
3,221,955	12/1965	Banaszak et al.	222/570

Primary Examiner—Winifred E. Herrmann
Attorney, Agent, or Firm—B. Deon Criddle

[57] CLAIM

The ornamental design for a combined cover and dispenser for a jar or the like, substantially as shown.

DESCRIPTION

FIG. 1 is a top perspective view of a combined cover and dispenser for a jar or the like, showing my new design.

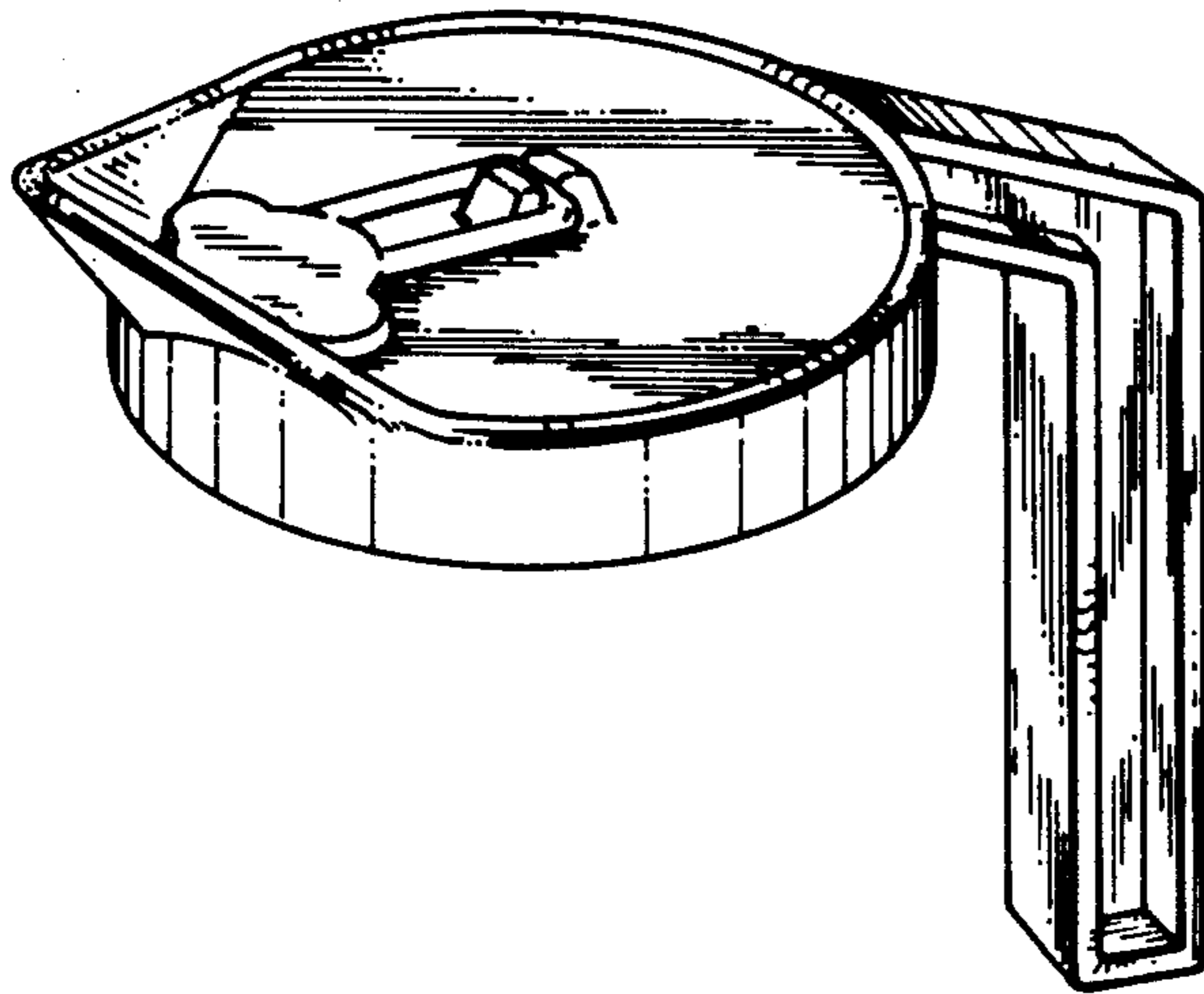
FIG. 2 is a top plan view.

FIG. 3 is a side elevation view, the opposite side being the mirror image thereof.

FIG. 4 is a bottom plan view.

FIG. 5 is a front elevation view.

FIG. 6 is a rear elevation view.



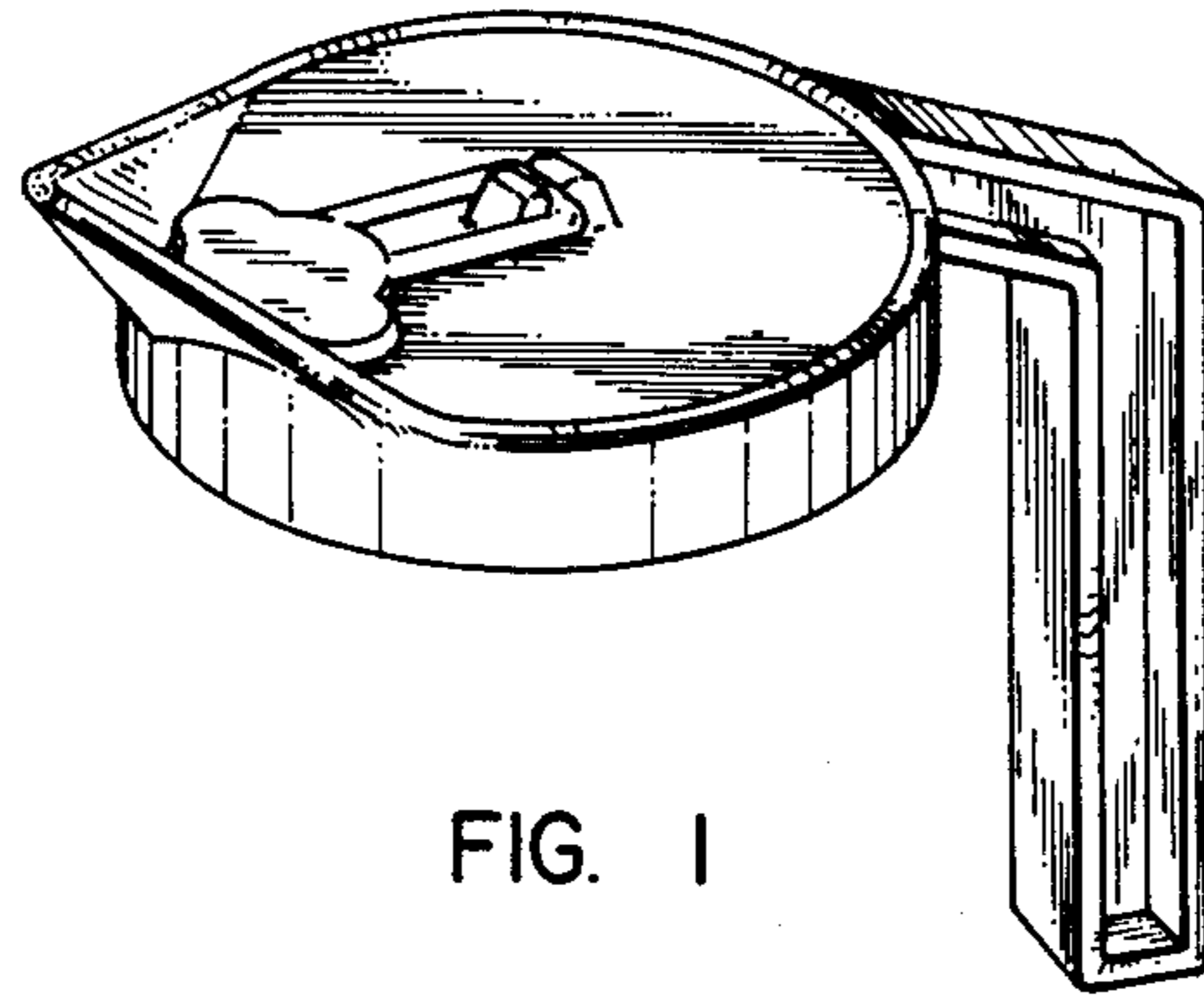


FIG. 1

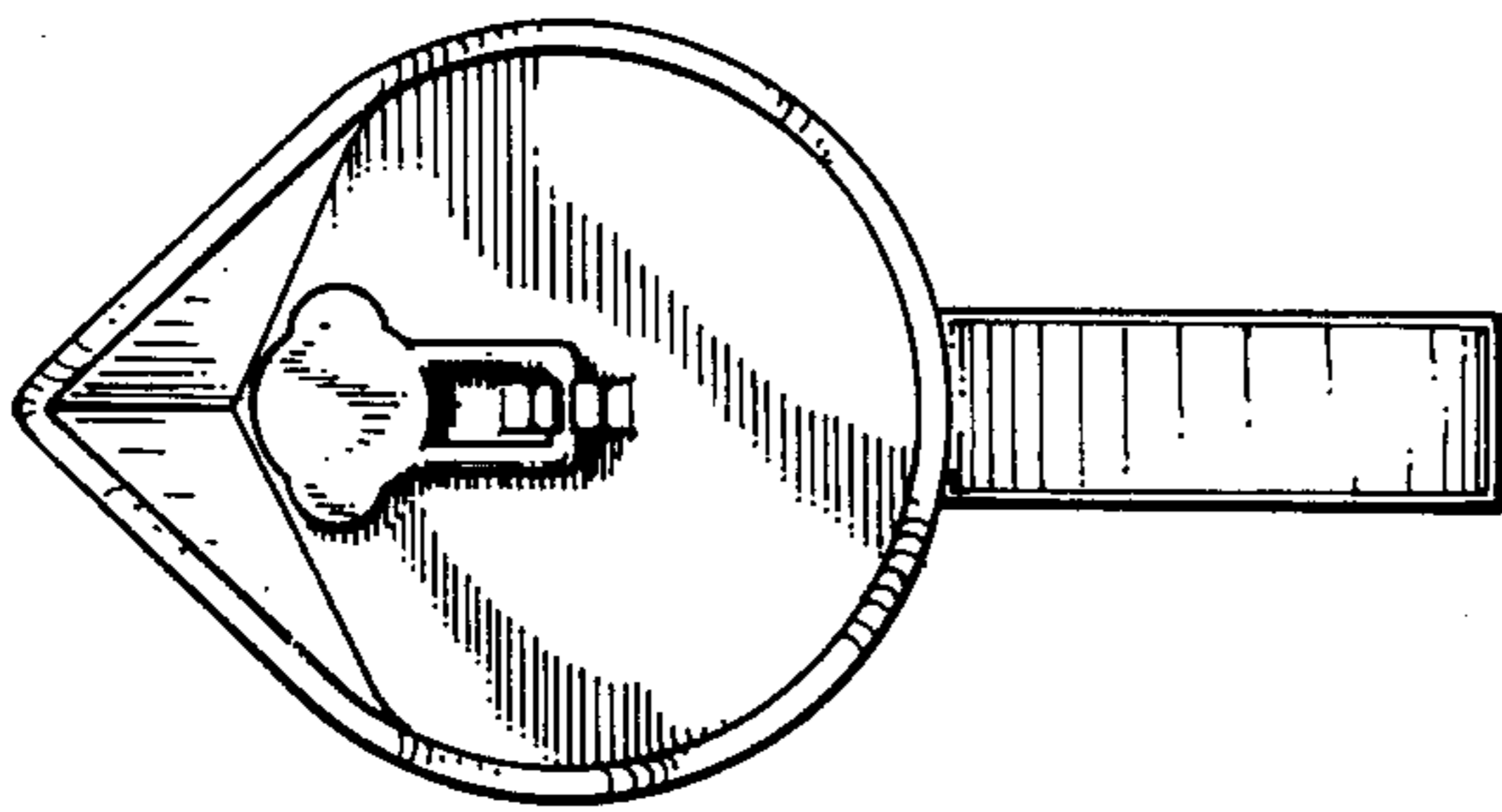


FIG. 2

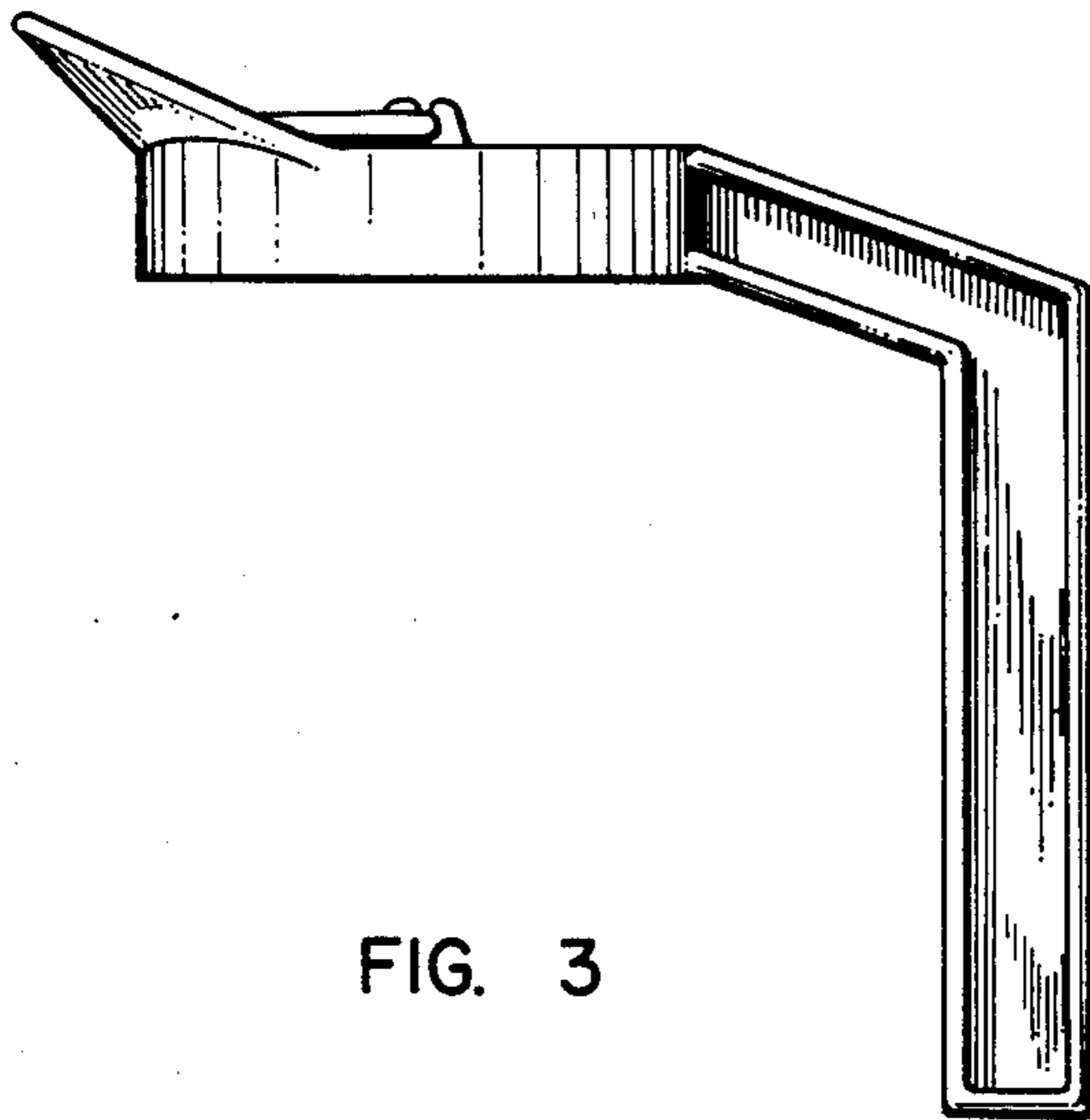


FIG. 3

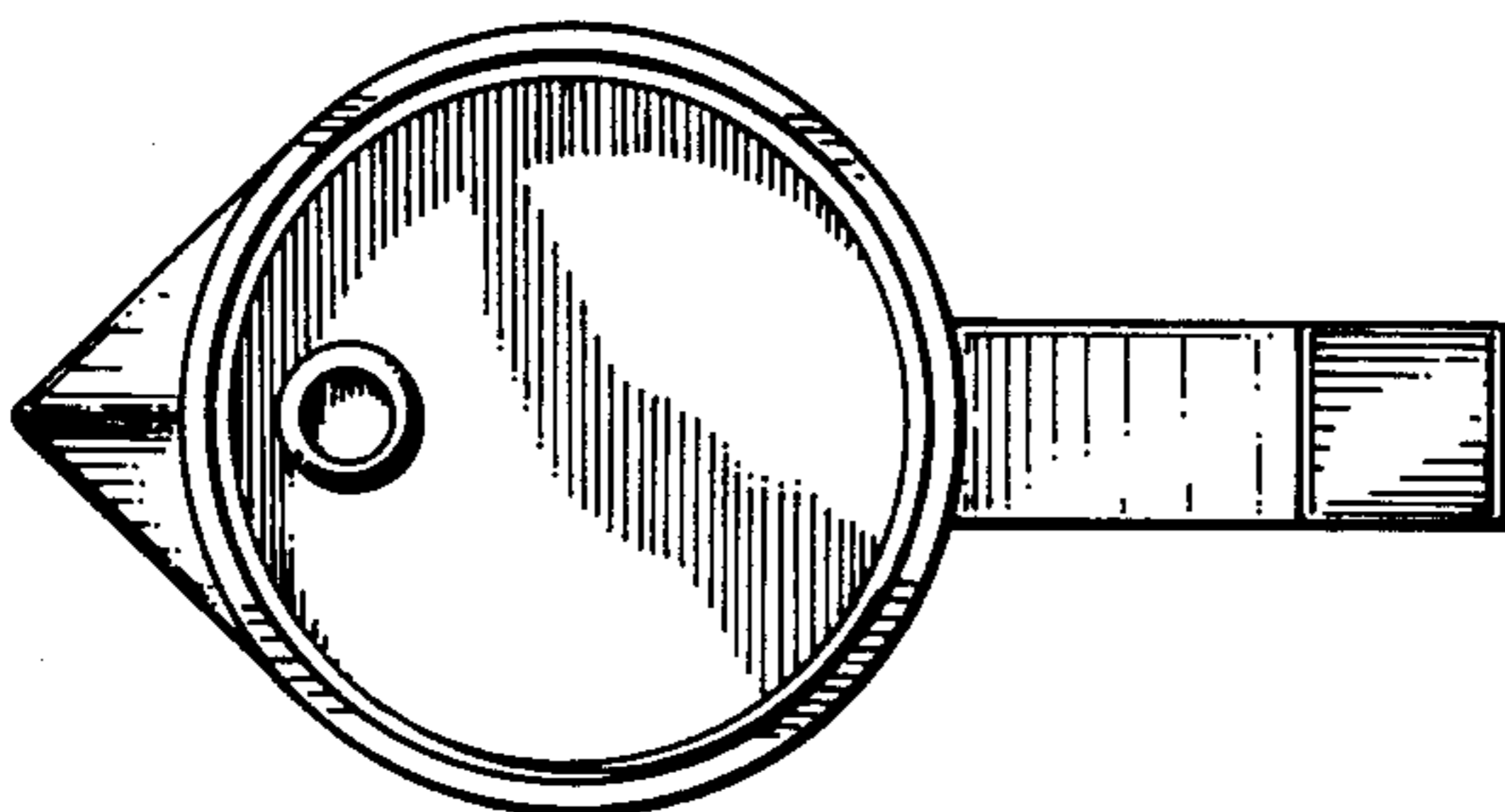


FIG. 4

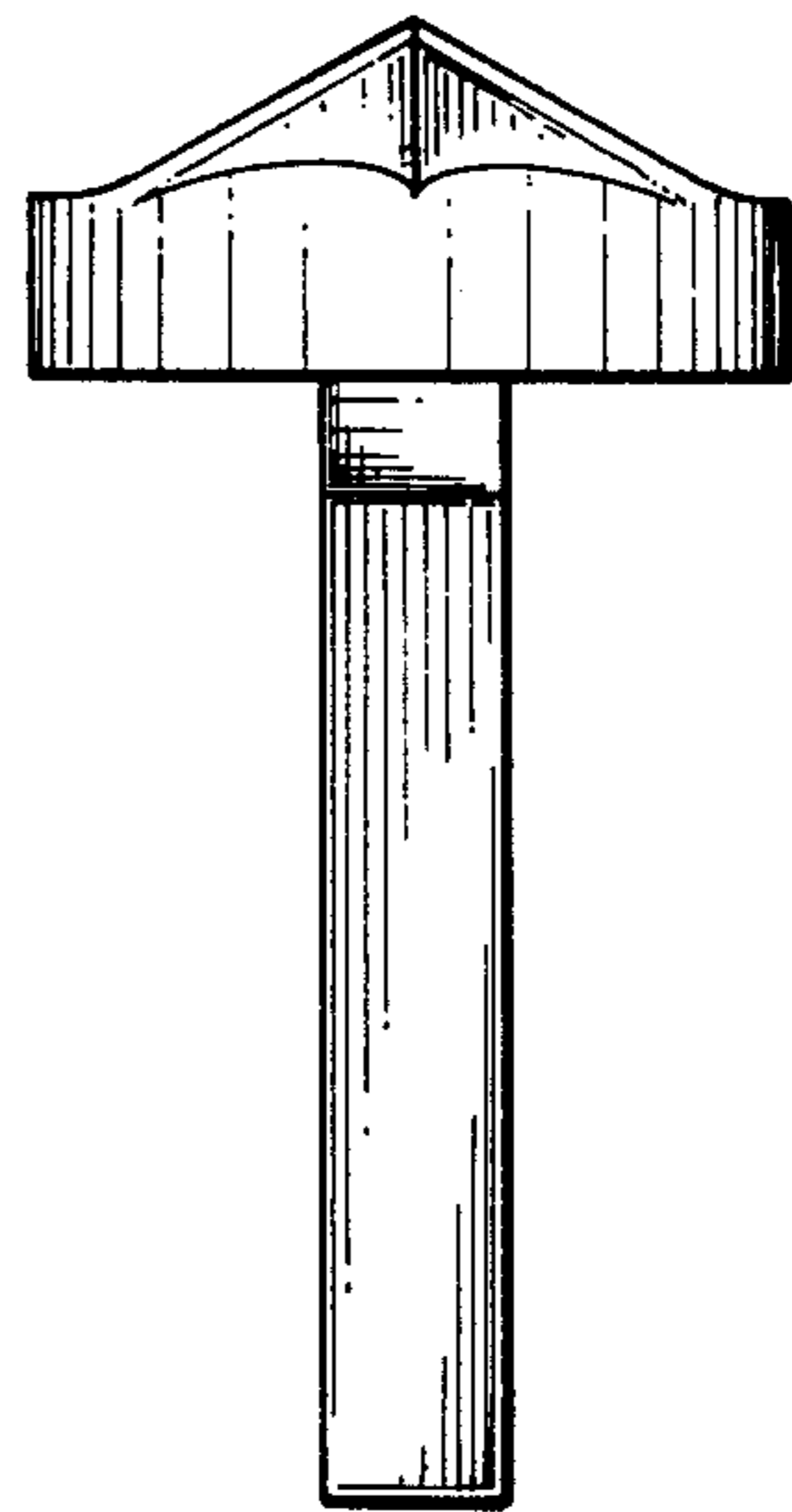


FIG. 5

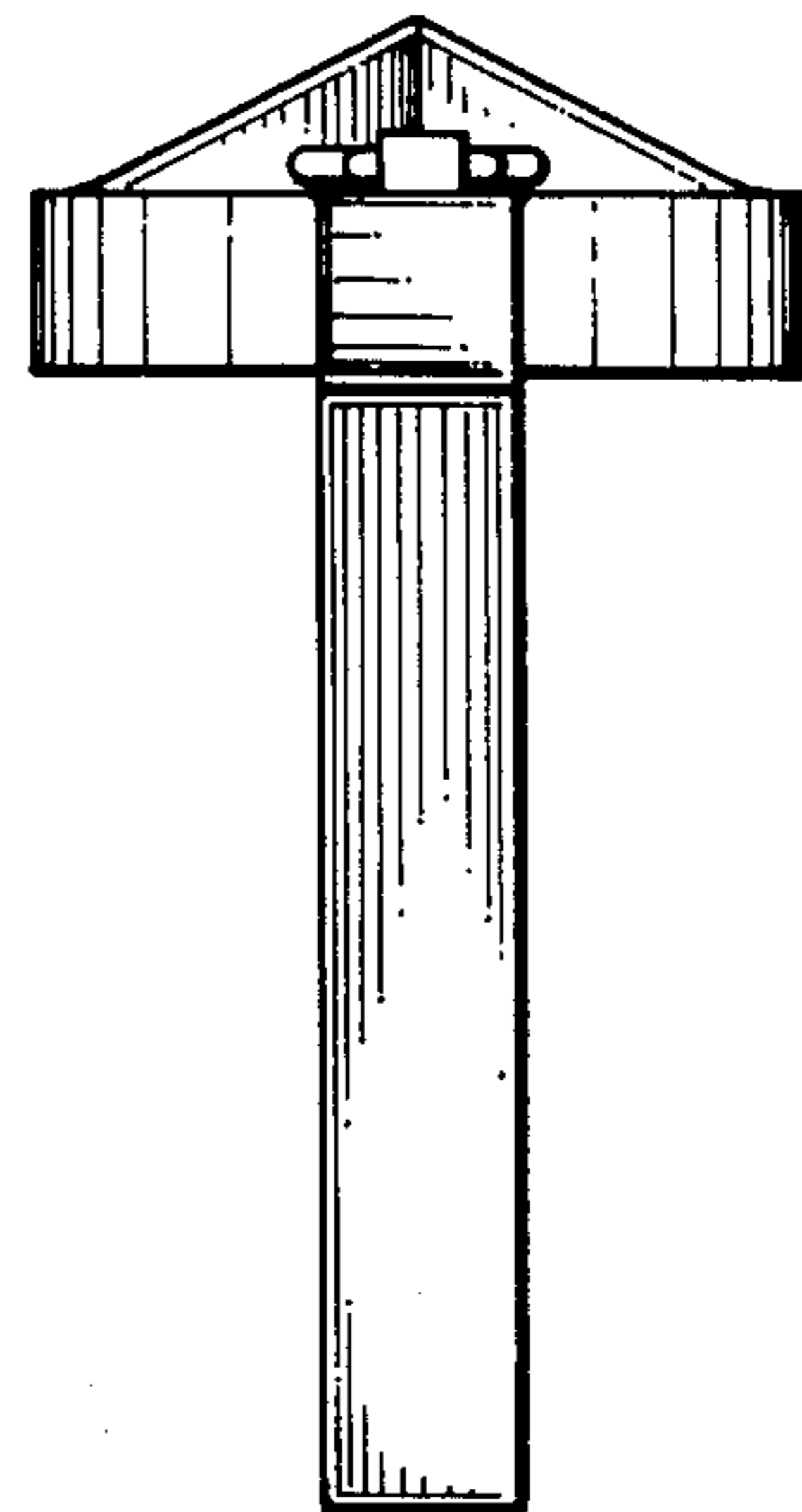


FIG. 6