

[54] **NEWSPAPER STORING AND BUNDLING DEVICE**

[76] Inventor: **James T. Moynihan**, 25 Johnson St., Newington, Conn. 06111

[\*\*] Term: **14 Years**

[21] Appl. No.: **684,172**

[22] Filed: **May 7, 1976**

[51] Int. Cl. .... **D6-04**

[52] U.S. Cl. .... **D6/184**

[58] Field of Search ..... **D6/85, 113, 114, 125, D6/181, 184, 188, 191; 211/49 R**

[56] **References Cited**

**U.S. PATENT DOCUMENTS**

D. 165,358	12/1951	Baldwin .....	D6/184
D. 181,050	9/1957	Harden .....	D6/184
D. 228,052	8/1973	Howard .....	D6/184
D. 230,802	3/1974	Morita .....	D6/184

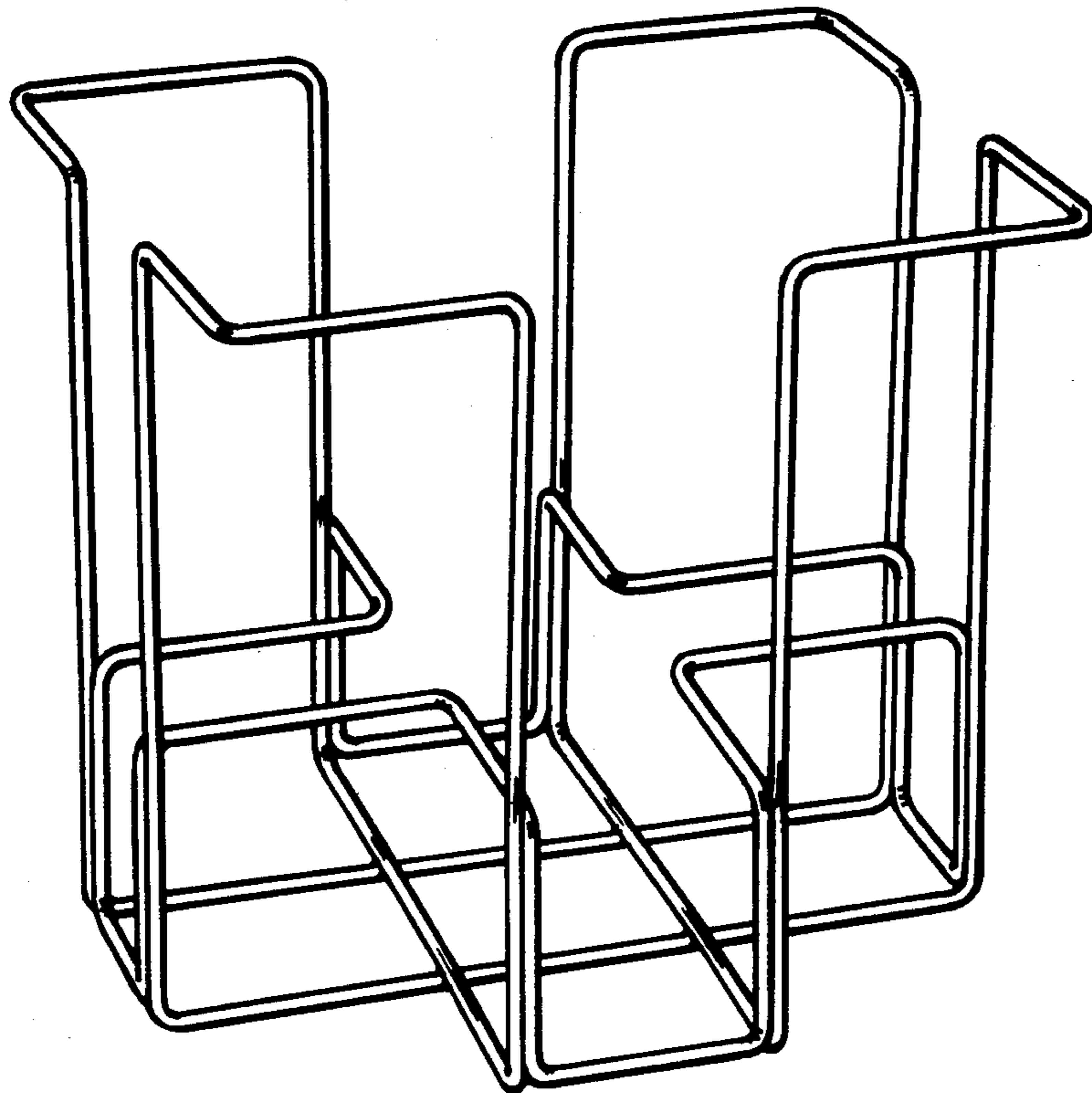
*Primary Examiner*—Wallace R. Burke  
*Assistant Examiner*—B. J. Bullock  
*Attorney, Agent, or Firm*—Harvey B. Jacobson

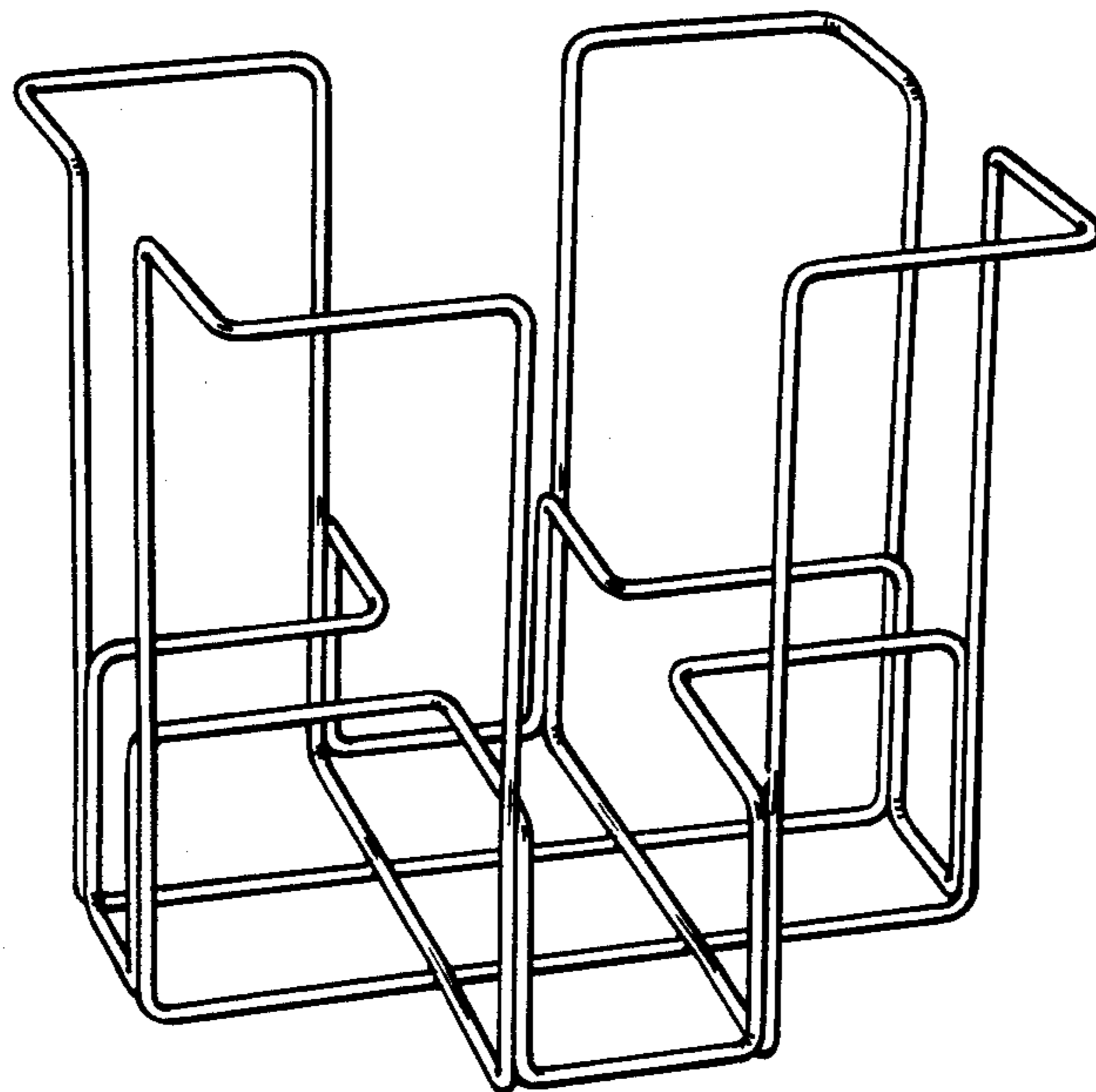
[57] **CLAIM**

The ornamental design for a newspaper storing and bundling device, as shown and described.

**DESCRIPTION**

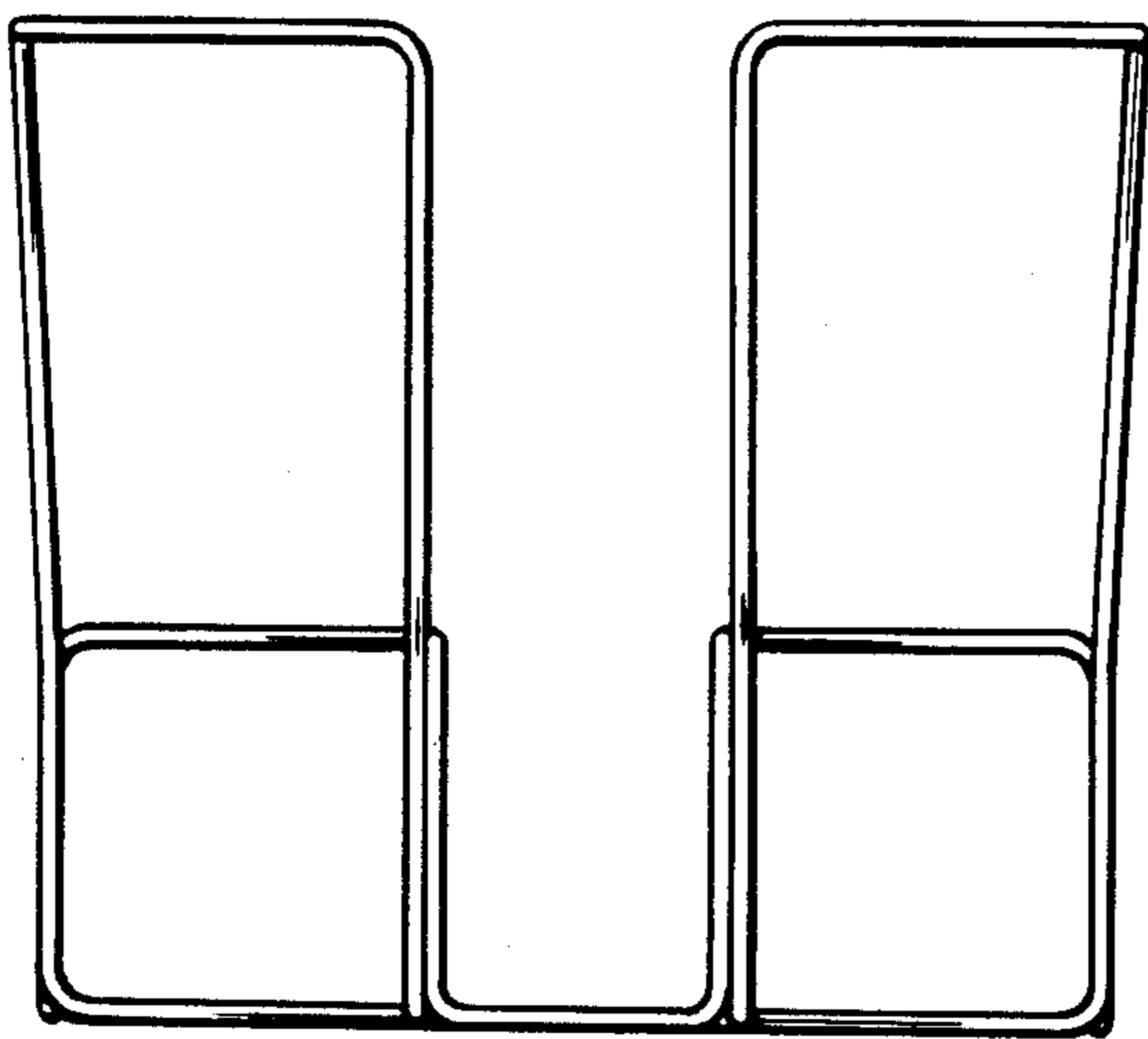
FIG. 1 is a perspective view of a newspaper storing and bundling device showing my new design; FIG. 2 is a side elevational view thereof; FIG. 3 is an end elevational view thereof; and FIG. 4 is a top plan view thereof.



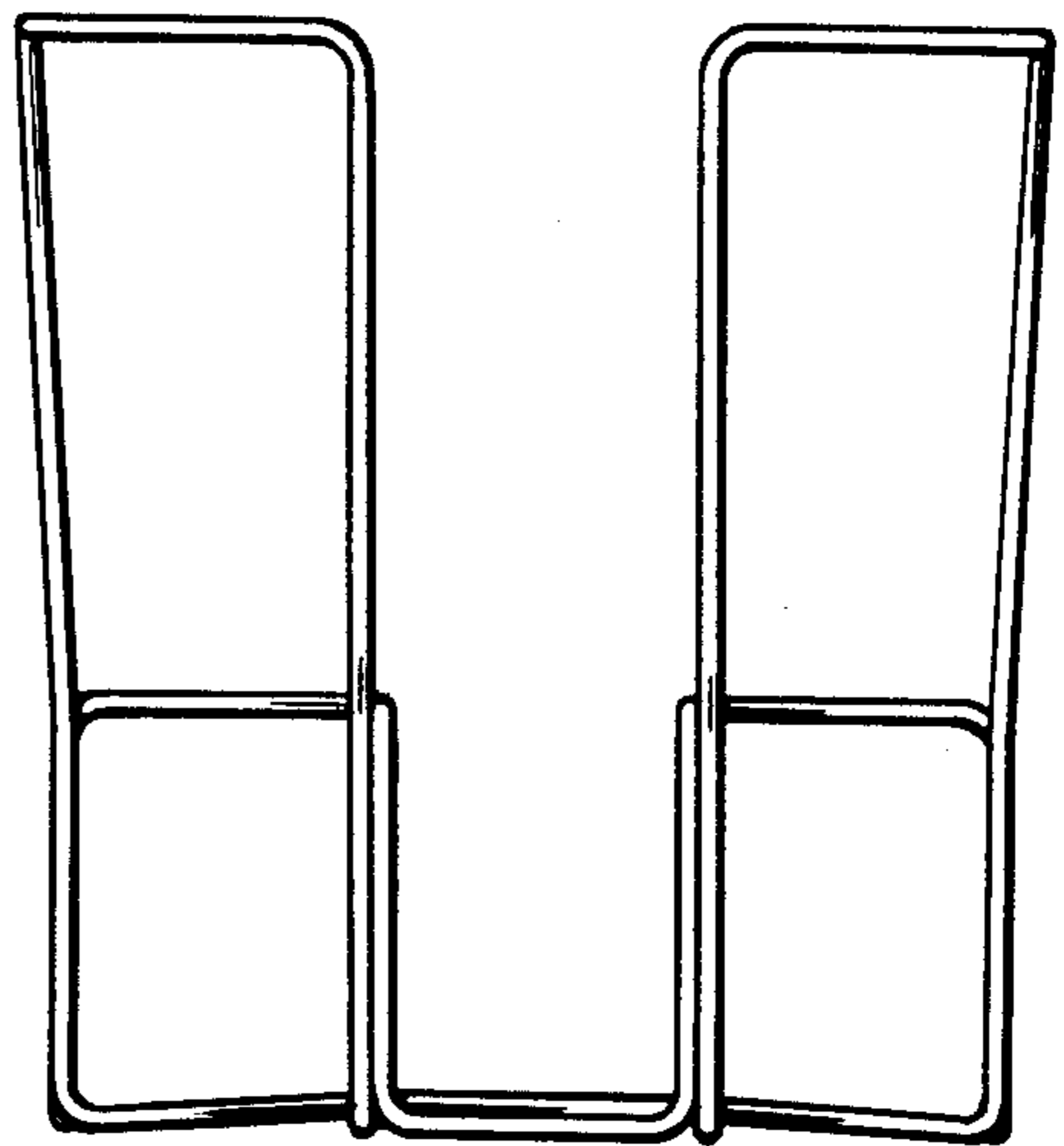


*Fig. 1*

*Fig. 2*



*Fig. 3*



*Fig. 4*

