

[54] READING RACK FOR CHILDREN

3,794,284 2/1974 Guenther 248/441

[76] Inventors: Douglas J. Hermann; Lynda S. Hermann, both of 1430 Bruce Lane, Green Bay, Wis. 54303

OTHER PUBLICATIONS

Interiors, Jan. 1970, p. 107, Tables by Schickel in panel No. 2.

[**] Term: 7 Years

Primary Examiner—Bruce W. Dunkins
Attorney, Agent, or Firm—Richard P. Matthews

[21] Appl. No.: 708,412

[57] CLAIM

[22] Filed: July 26, 1976

The ornamental design of a reading rack for children, substantially as shown.

[51] Int. Cl. D6—04

DESCRIPTION

[52] U.S. Cl. D6/184

[58] Field of Search D6/1, 6, 3, 85, 157, D6/181, 184, 185, 186, 188; 248/441

FIG. 1 is a perspective view of a reading rack for children showing my invention;

[56] References Cited

U.S. PATENT DOCUMENTS

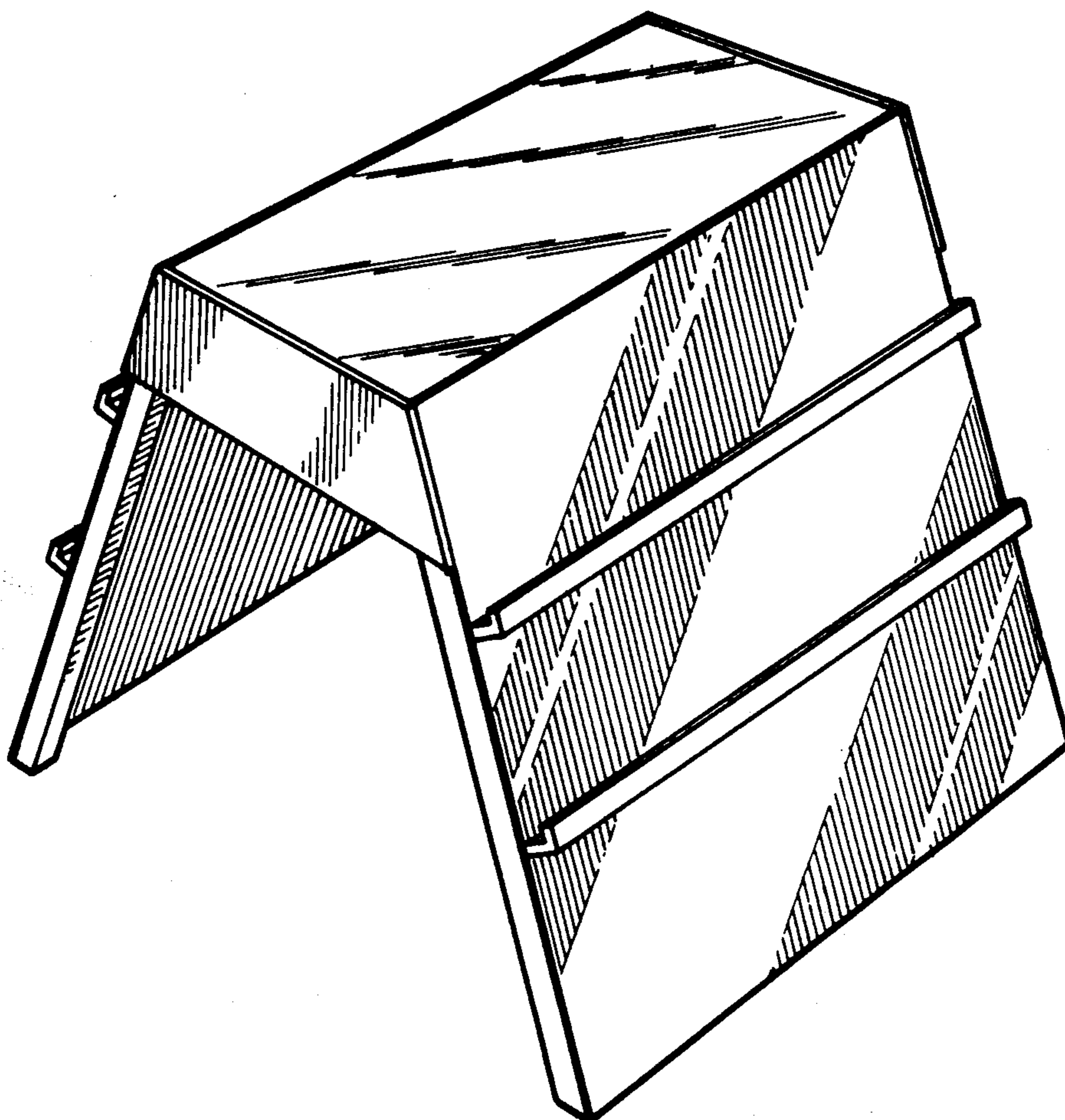
D. 225,293	12/1972	Torrey	D6/181
D. 225,801	1/1973	Torrey	D6/75
D. 225,809	1/1973	Torrey	D6/181
D. 242,009	10/1976	Hemingway	D6/184

FIG. 2 is an end elevational view of the reading rack of FIG. 1;

FIG. 3 is a side elevational view of the reading rack of FIG. 1;

FIG. 4 is a top elevational view of the reading rack of FIG. 1,

FIG. 5 is a bottom view of the reading rack of FIG. 1.



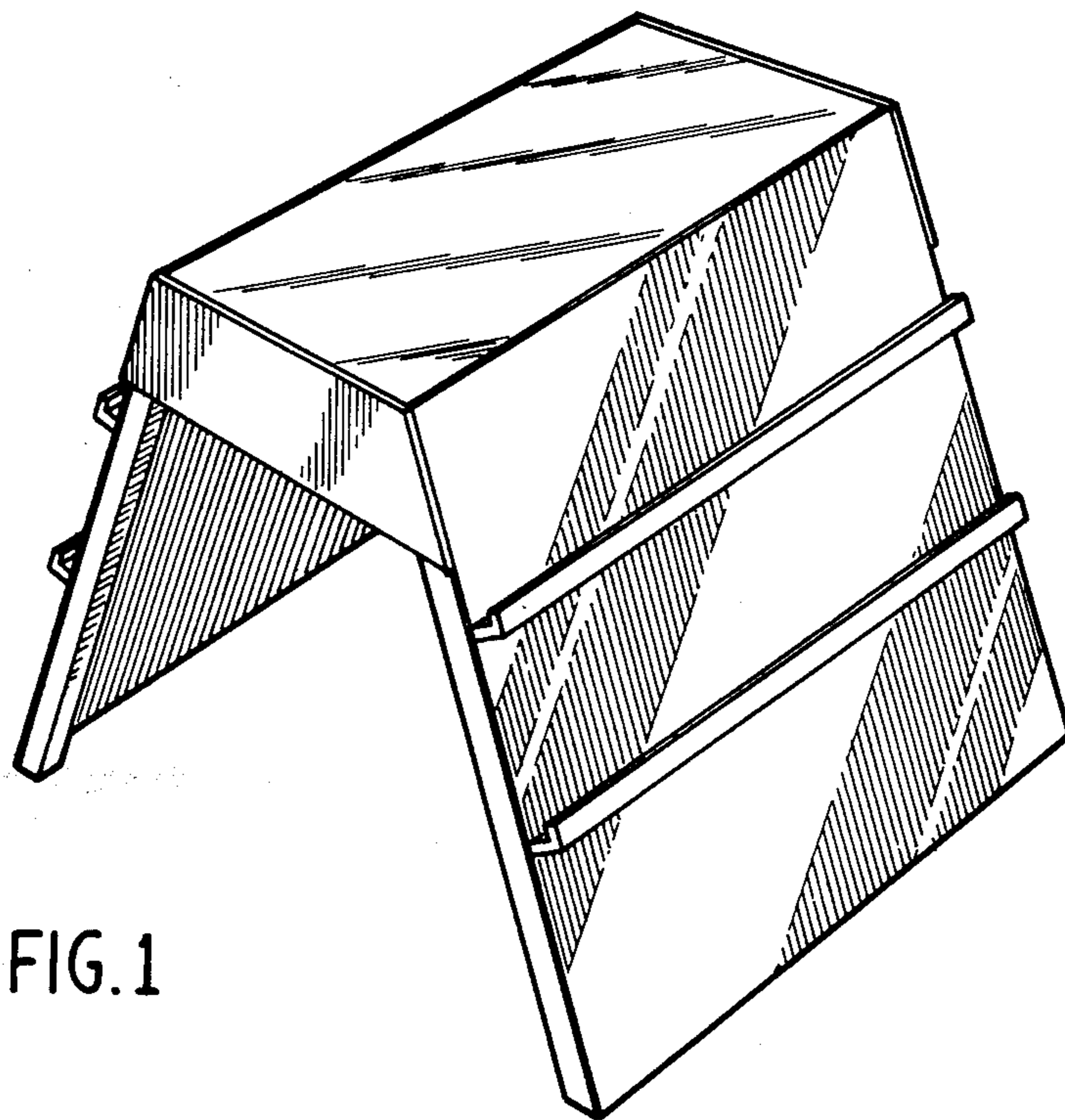


FIG. 1

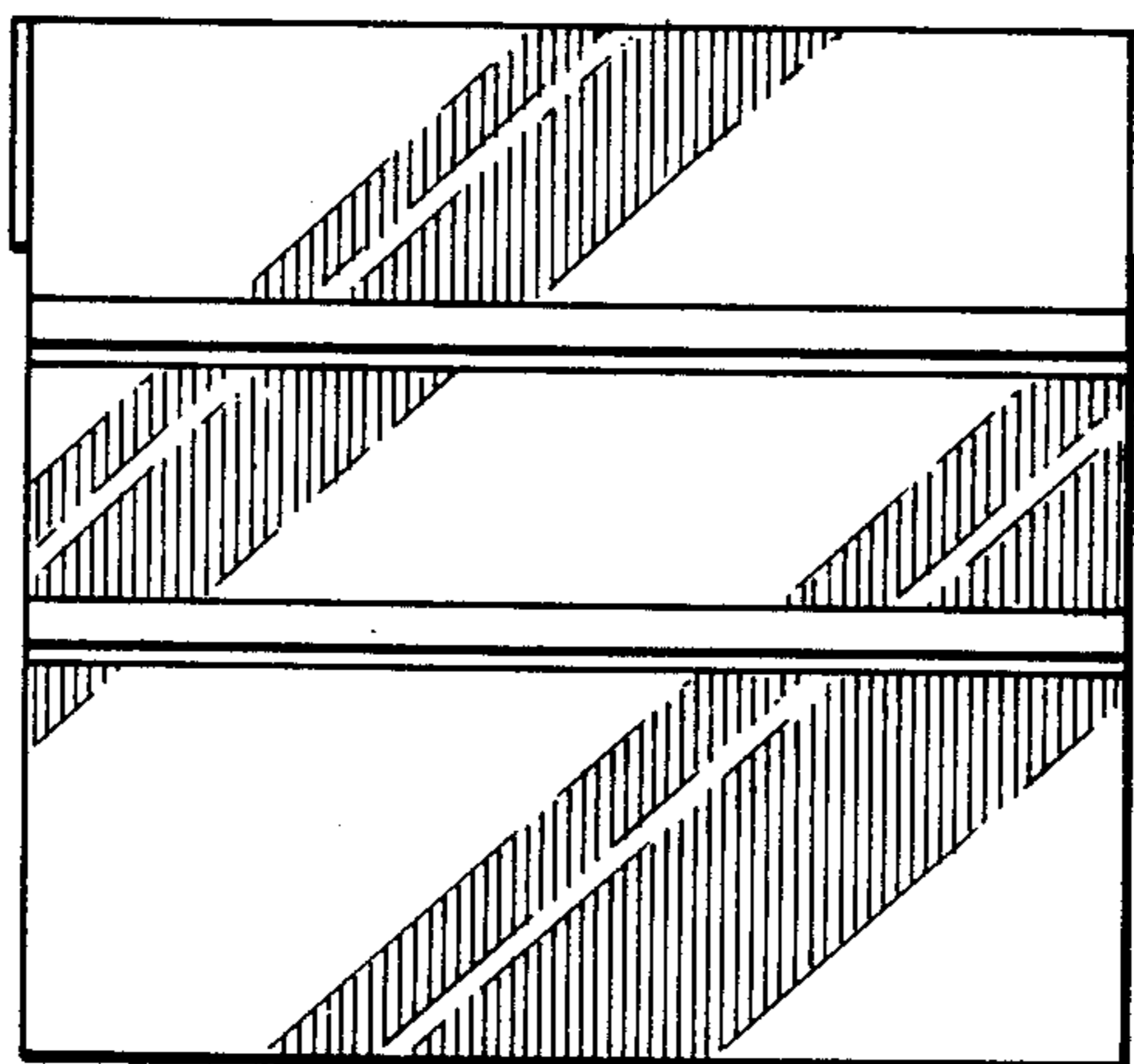


FIG. 2

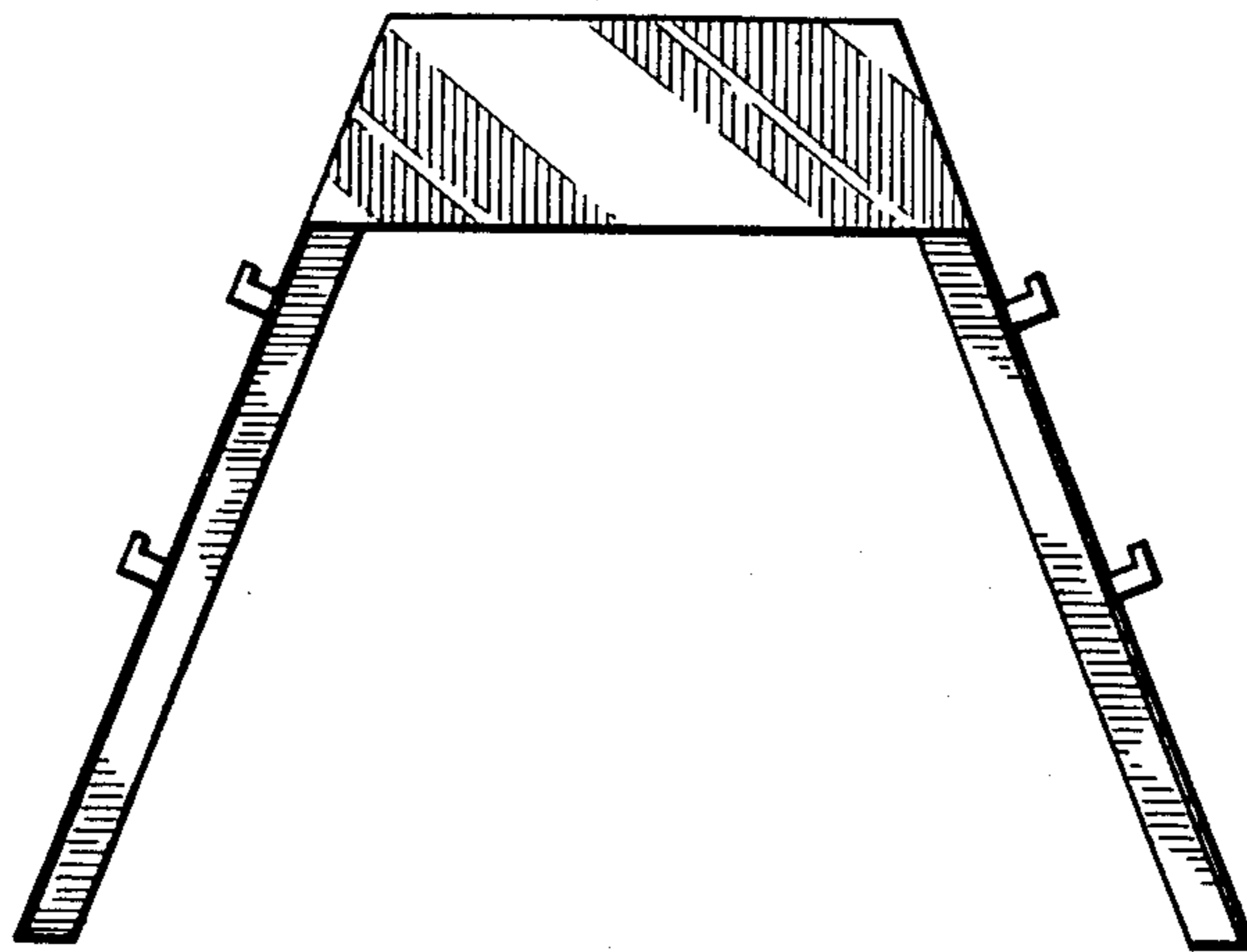


FIG. 3

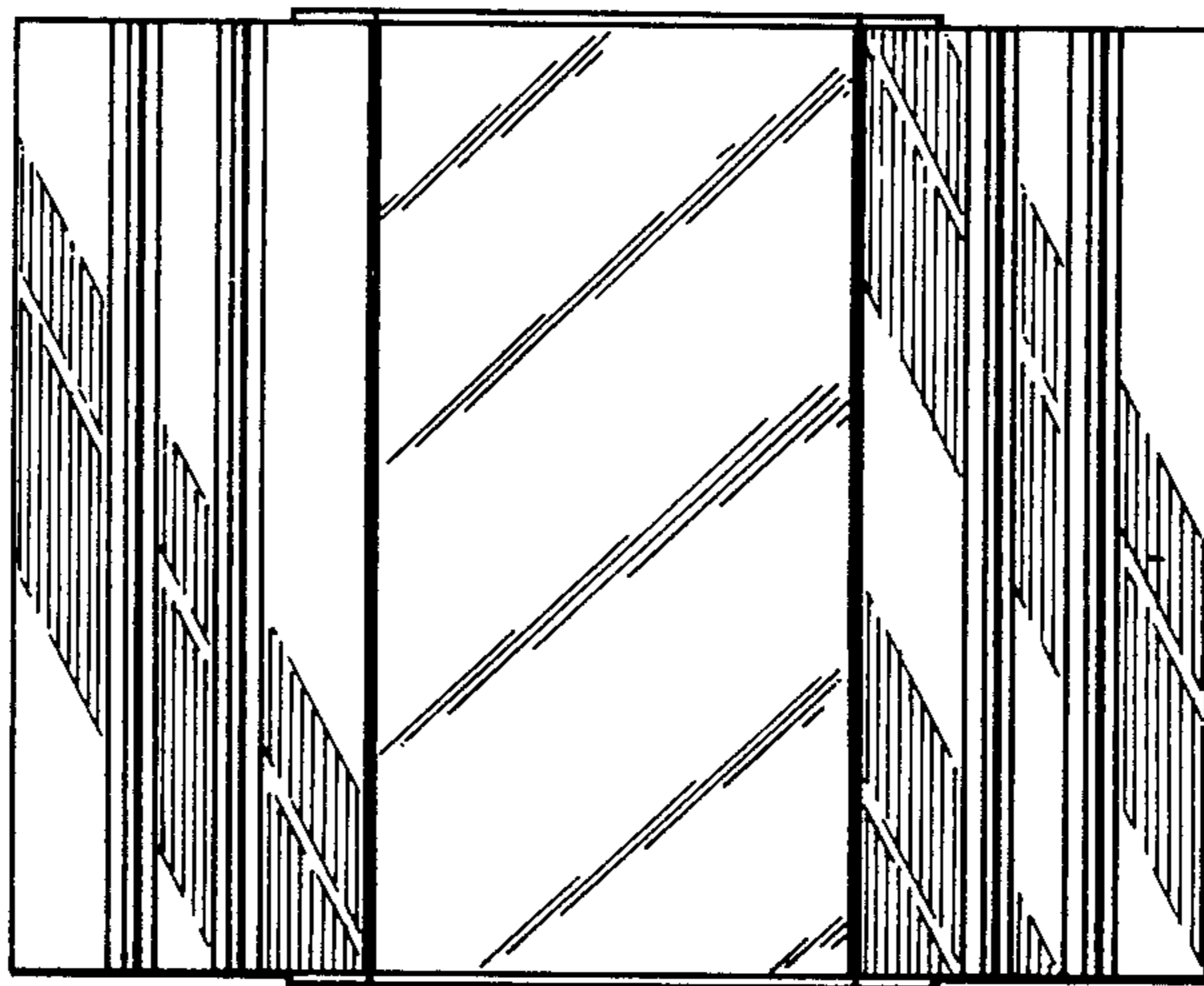


FIG. 4

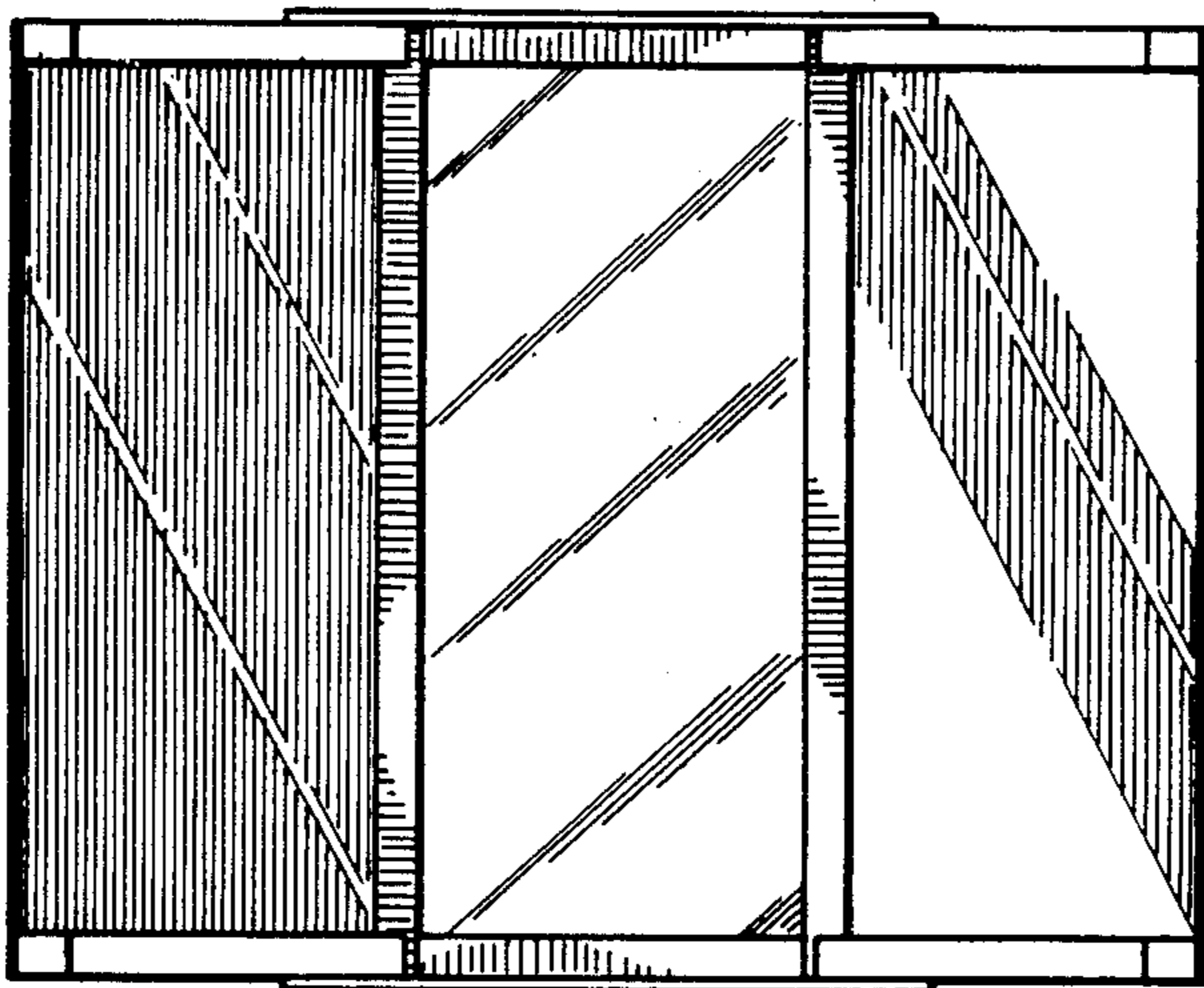


FIG. 5