

[54] BED TRAY

[75] Inventor: Jose P. Mabugat, Cebu City, Philippines

[73] Assignee: Linrose Sales Corporation, Marina del Rey, Calif.

[\*\*] Term: 14 Years

[21] Appl. No.: 736,384

[22] Filed: Oct. 28, 1976

[51] Int. Cl. .... D6-99

[52] U.S. Cl. .... D6/138

[58] Field of Search ..... D6/85, 138; 108/42, 108/43, 49

[56] References Cited

U.S. PATENT DOCUMENTS

D. 81,285 6/1930 Huntington ..... D6/138

OTHER PUBLICATIONS

Gifts & Decorative Accessories, 2/1965, p. 56, breakfast tray (upper right).

Primary Examiner—Wallace R. Burke

Assistant Examiner—B. J. Bullock

Attorney, Agent, or Firm—Roger W. Blakely, Jr.

[57] CLAIM

The ornamental design for a bed tray, substantially as shown.

DESCRIPTION

FIG. 1 is a perspective view of a bed tray showing my new design;

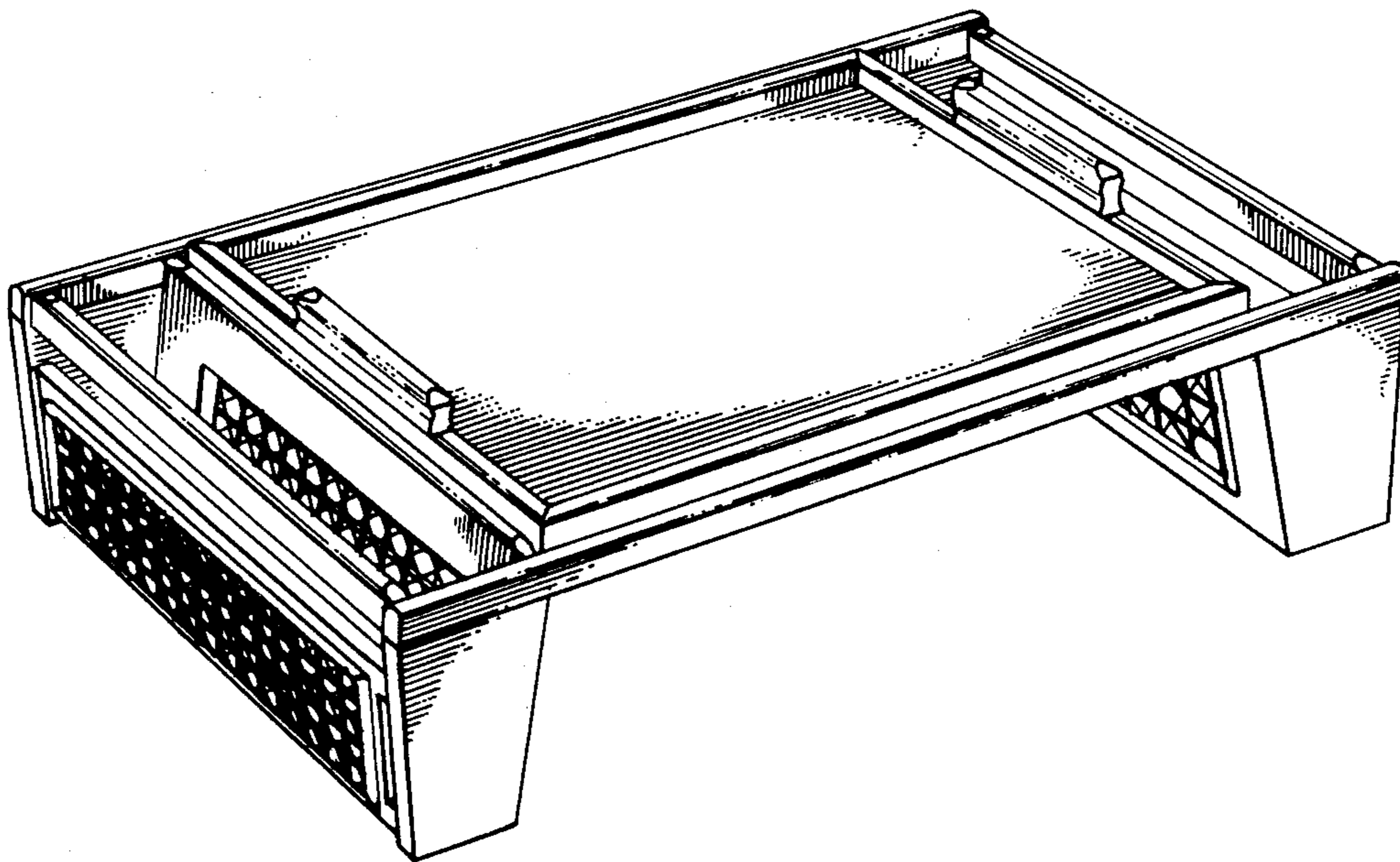
FIG. 2 is a top plan view thereof;

FIG. 3 is a front elevational view thereof;

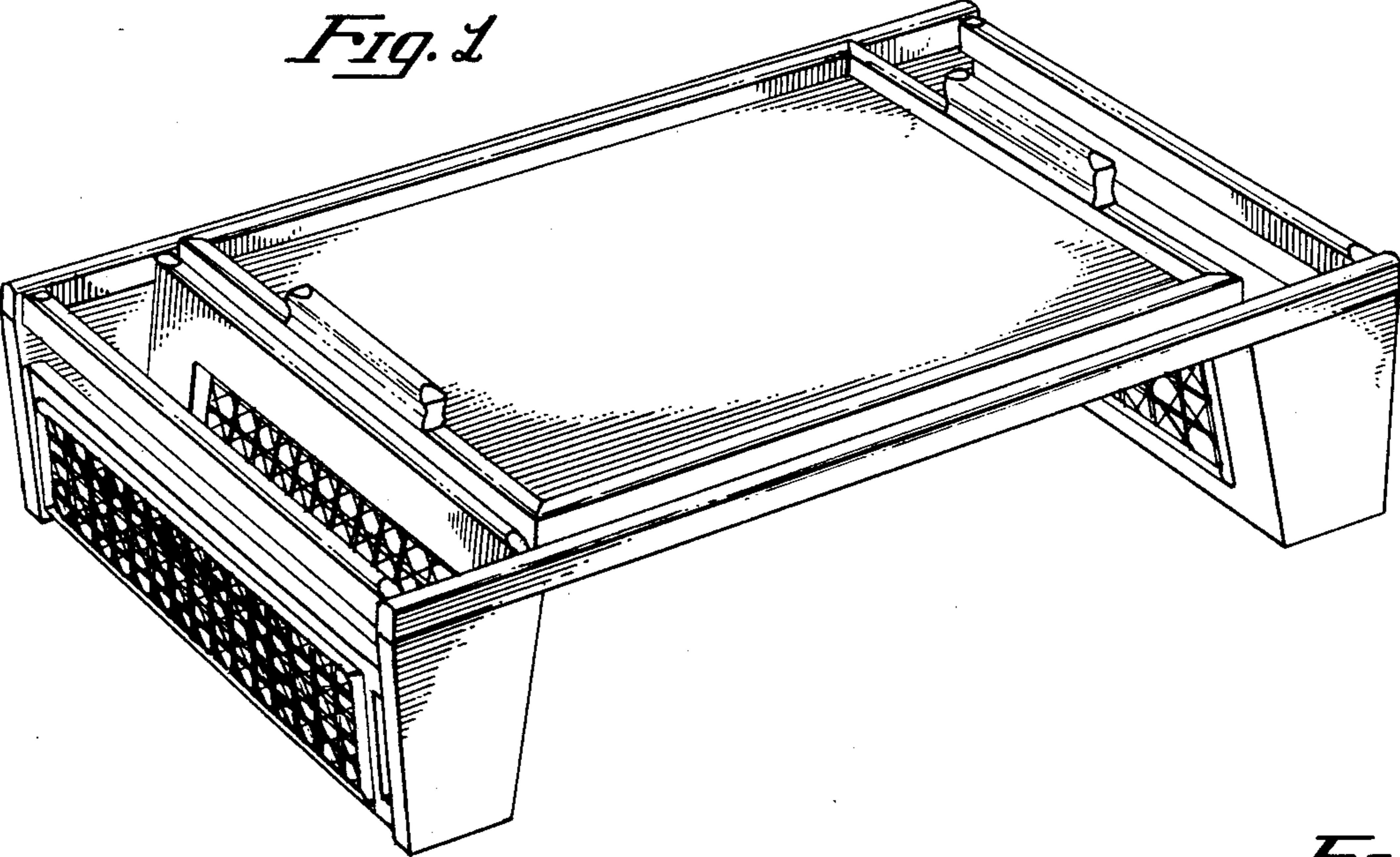
FIG. 4 is a side elevational view taken from the right of FIG. 1;

FIG. 5 is a bottom plan view thereof;

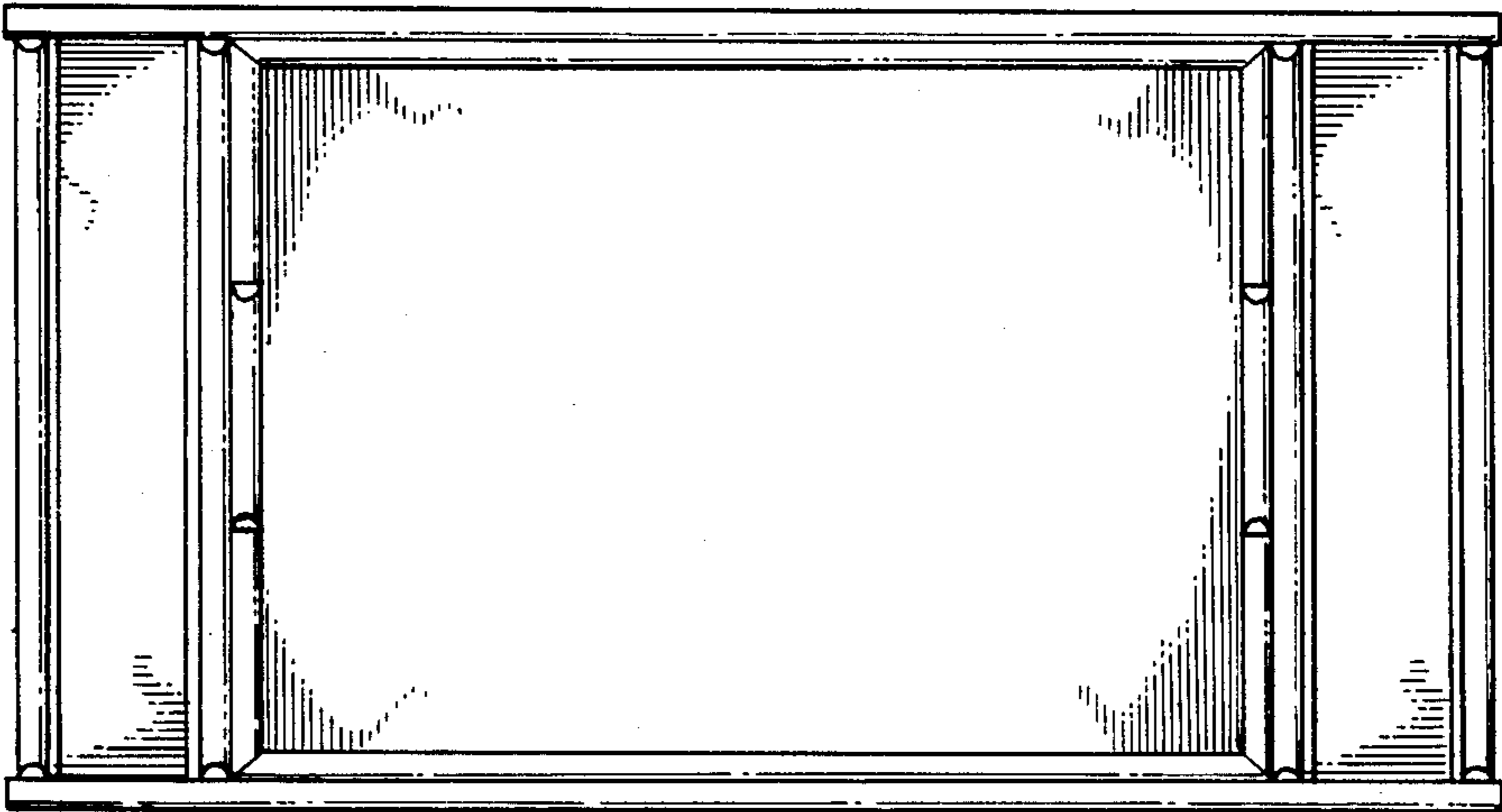
FIG. 6 is a side elevational view taken from the left side of FIG. 1.



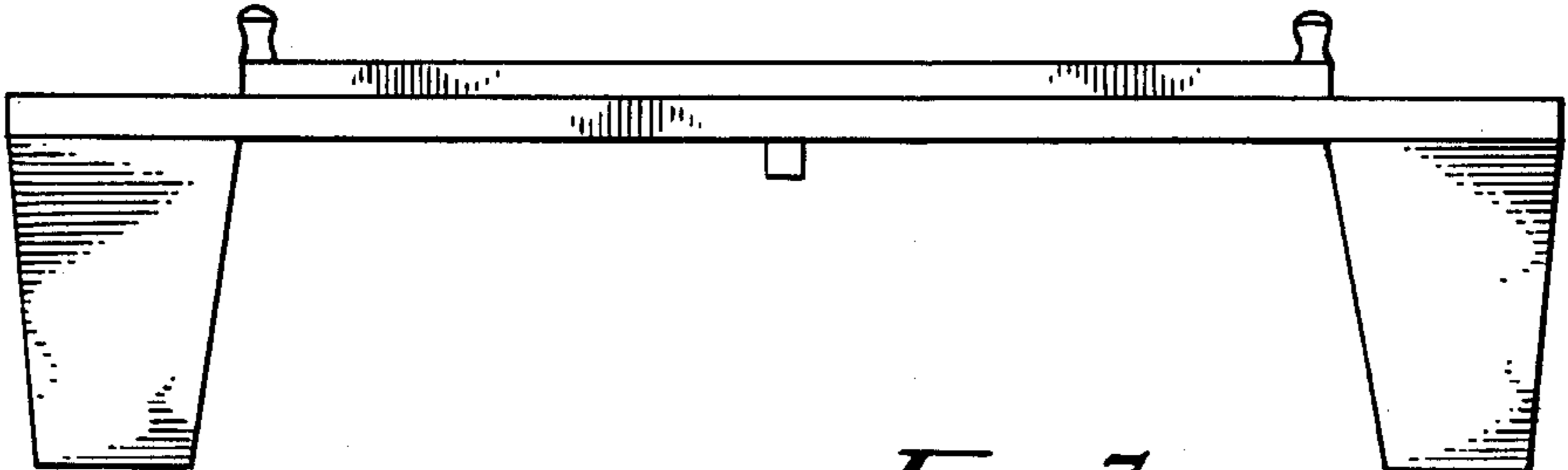
*Fig. 1*

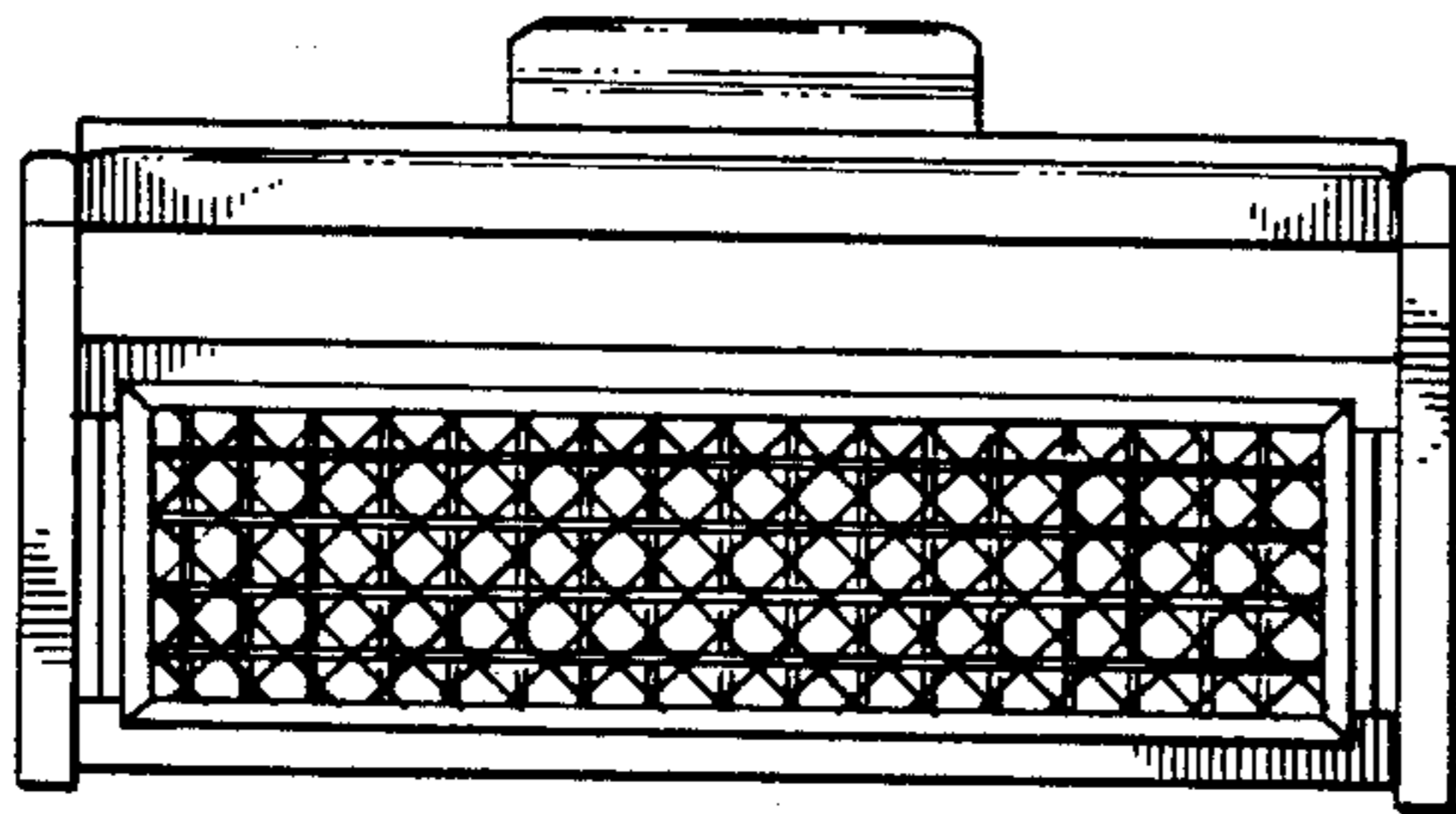


*Fig. 2*

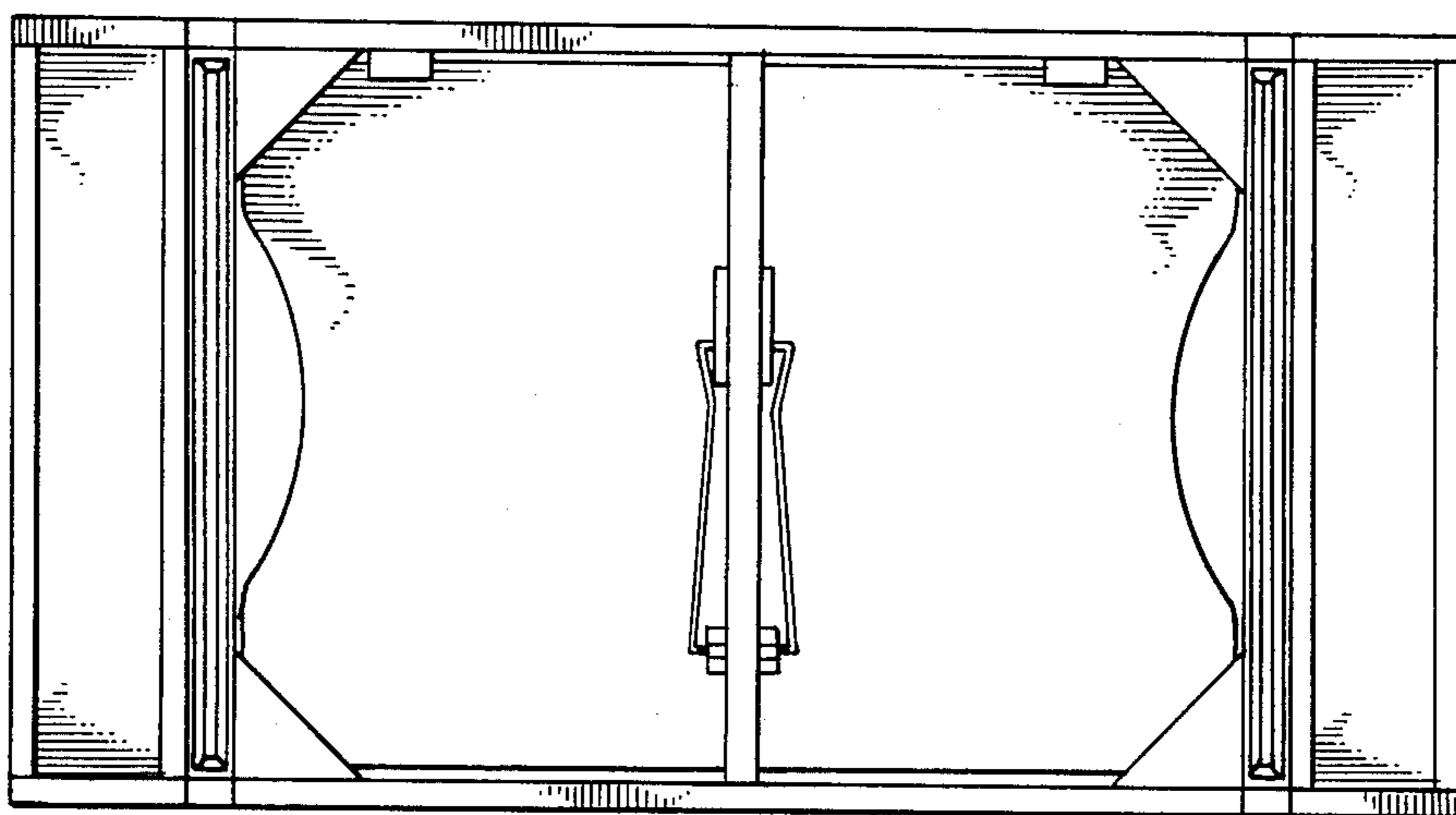


*Fig. 3*

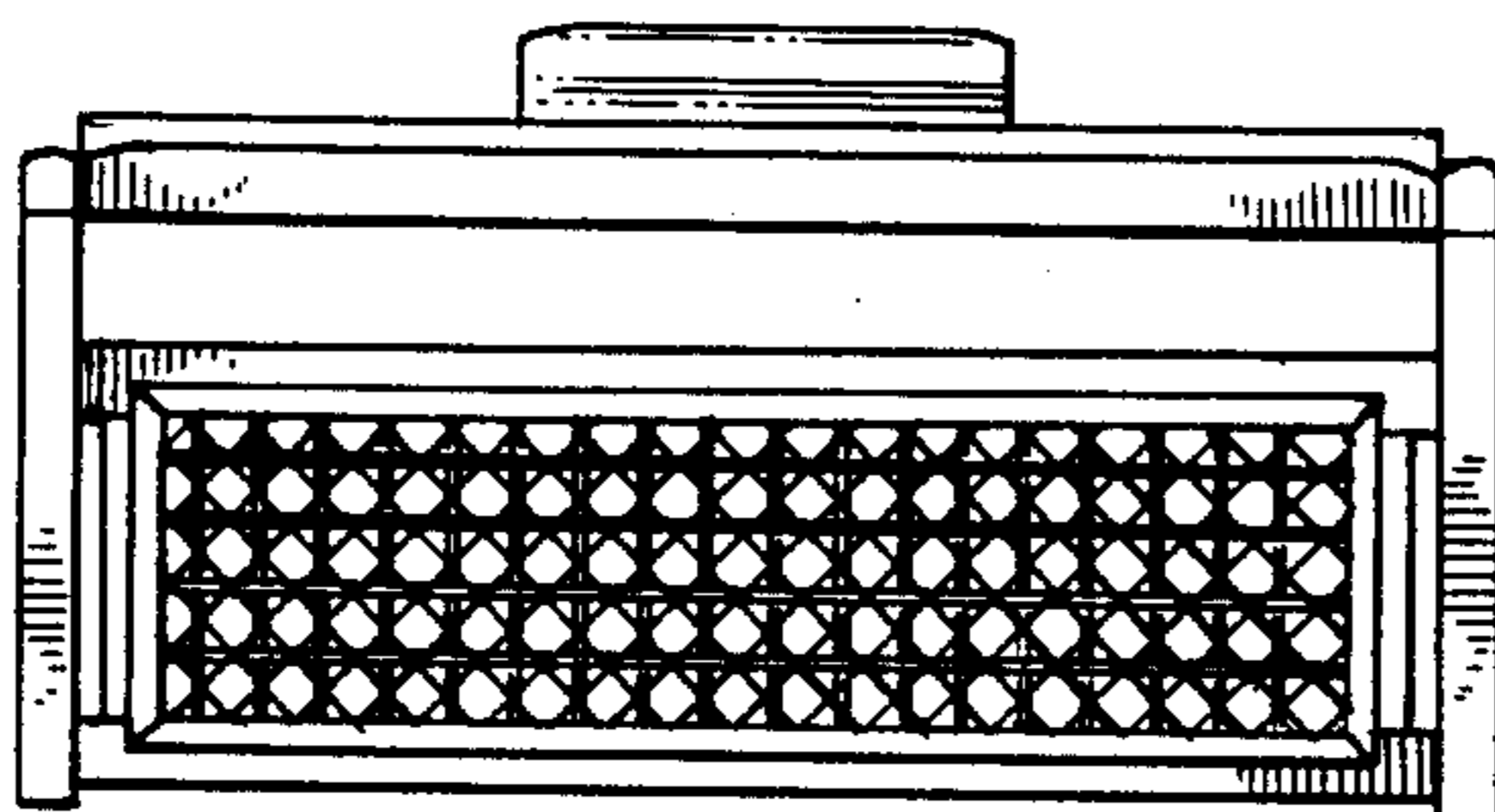




*Fig. 4*



*Fig. 5*



*Fig. 6*