

[54] COMBINATION ACCESSORY TRAY AND BOOK SUPPORT FOR BATHTUBS OR THE LIKE

[76] Inventor: Gus Levin, 4515 N. Braeswood, Apt. 302B, Houston, Tex. 77035

[**] Term: 14 Years

[21] Appl. No.: 657,689

[22] Filed: Feb. 12, 1976

[51] Int. Cl. D23-02; D6-04

[52] U.S. Cl. D6/91

[58] Field of Search D6/85, 86, 106, 138, D6/184, 199, 114, 125; D19/90, 91; 108/42, 43, 49, 152; 211/42; 248/441 B, 441 D, 444, 451, 452, 454, 455, 456; 297/174

[56] References Cited

U.S. PATENT DOCUMENTS

D. 237,334	10/1975	Garofalo	D6/184
1,942,340	1/1934	Madden	248/456
2,783,109	2/1957	Frey	108/43

2,971,286 2/1961 Ernst 248/441 D

FOREIGN PATENT DOCUMENTS

18,380 of 1910 United Kingdom 248/441 D

Primary Examiner—Wallace R. Burke

Assistant Examiner—B. J. Bullock

Attorney, Agent, or Firm—Thomas B. Van Poole

[57] CLAIM

The ornamental design for a combination accessory tray and book support for bathtubs or the like, as shown and described.

DESCRIPTION

FIG. 1 is a perspective view of a combination accessory tray and book support for bathtubs or the like, viewed from a position above and to the front, showing my new design;

FIG. 2 is a perspective view of the same, viewed from a position below and to the front thereof;

FIG. 3 is a top plan view thereof;

FIG. 4 is a front elevation view thereof; and

FIG. 5 is a vertical section view viewed from the line 5-5 of FIG. 4.

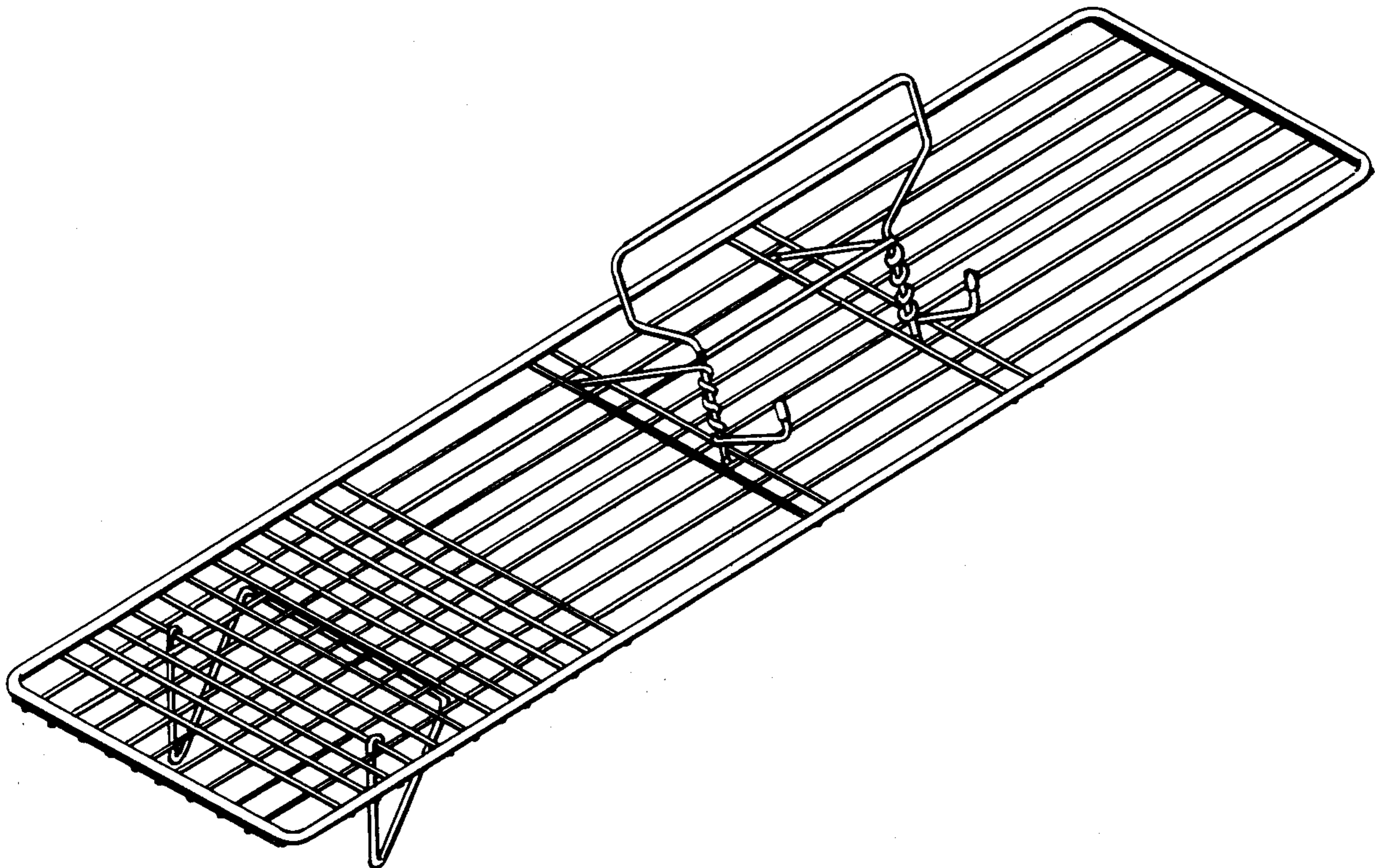


FIG-1

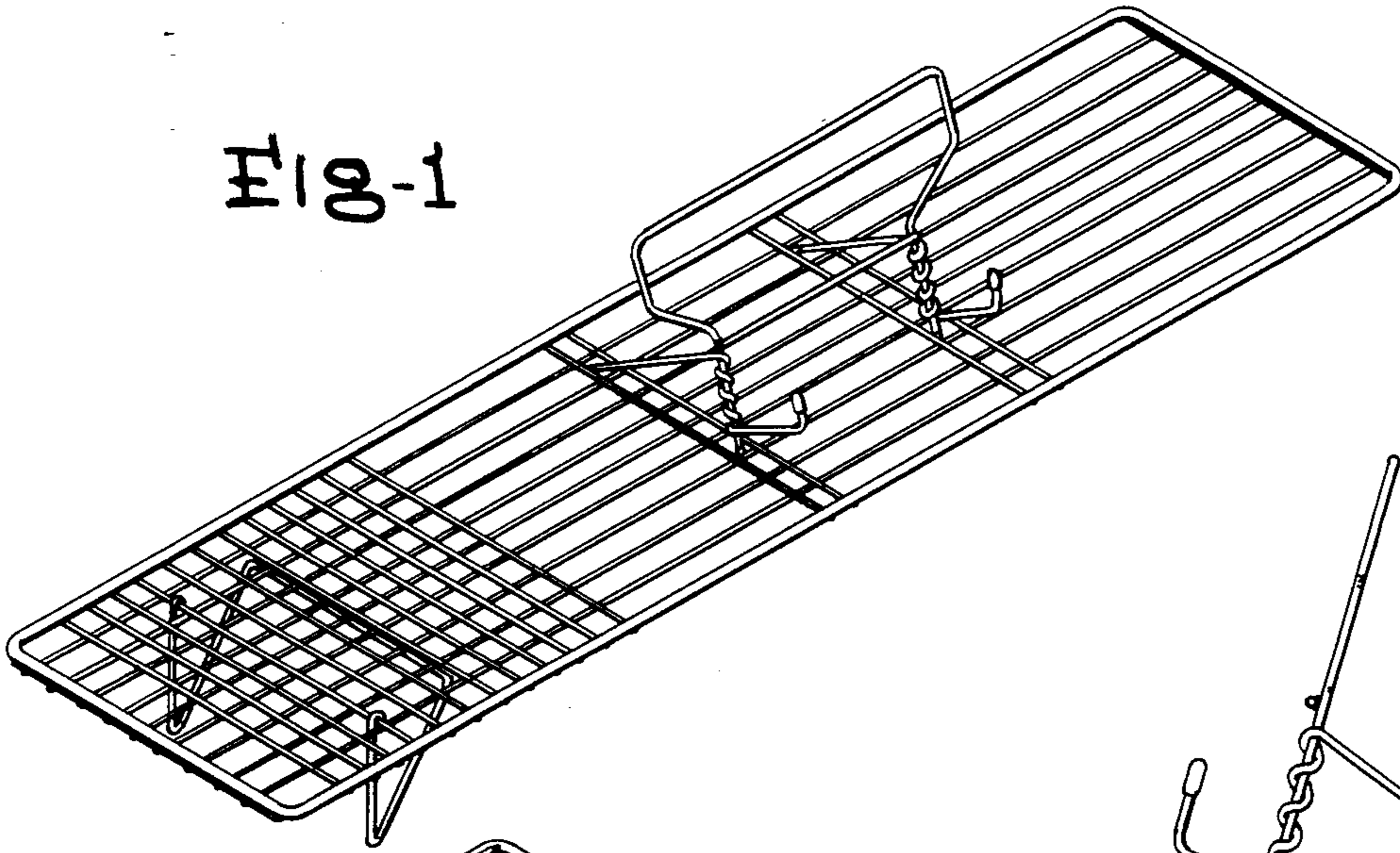


FIG-5

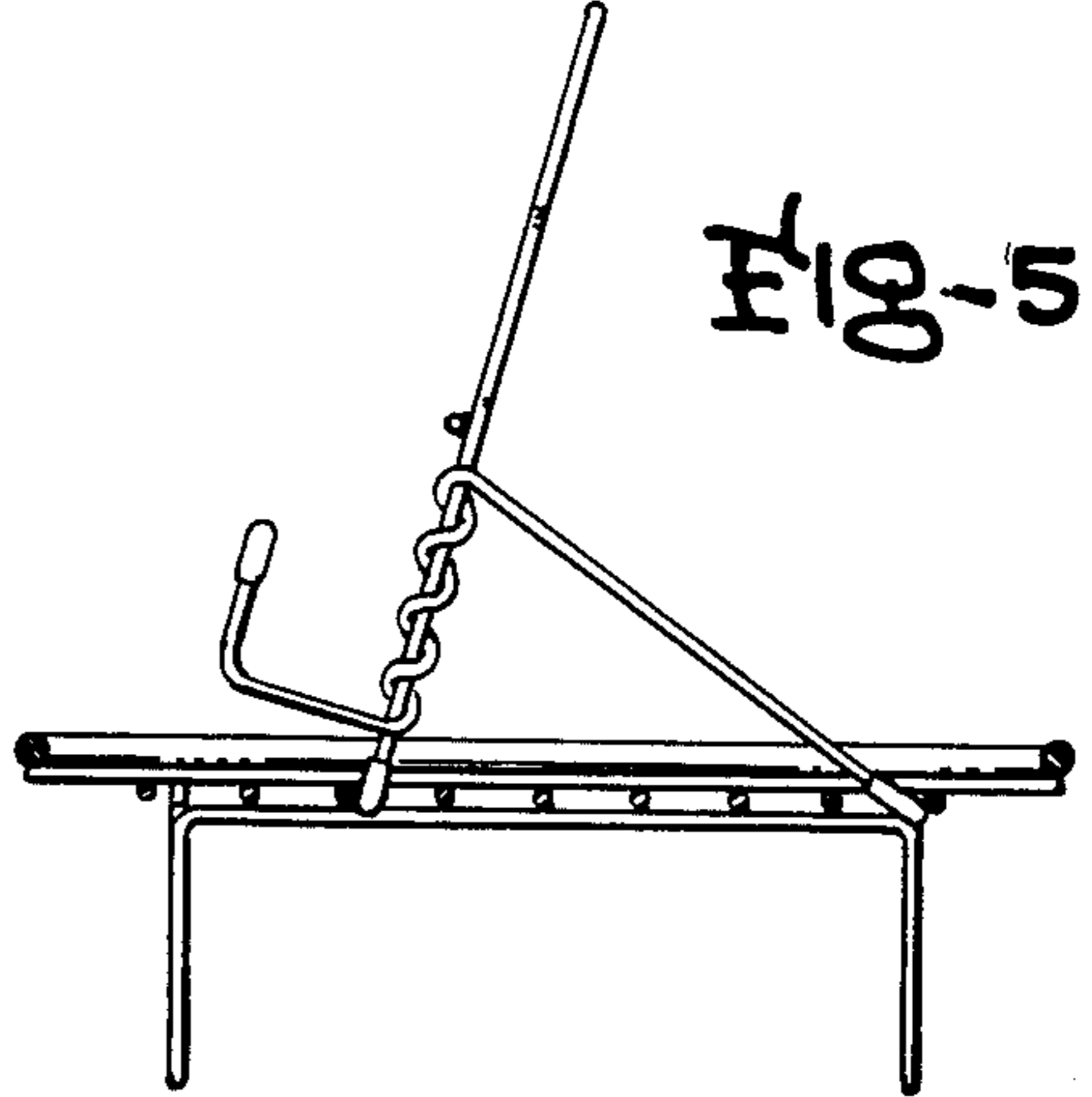


FIG-2

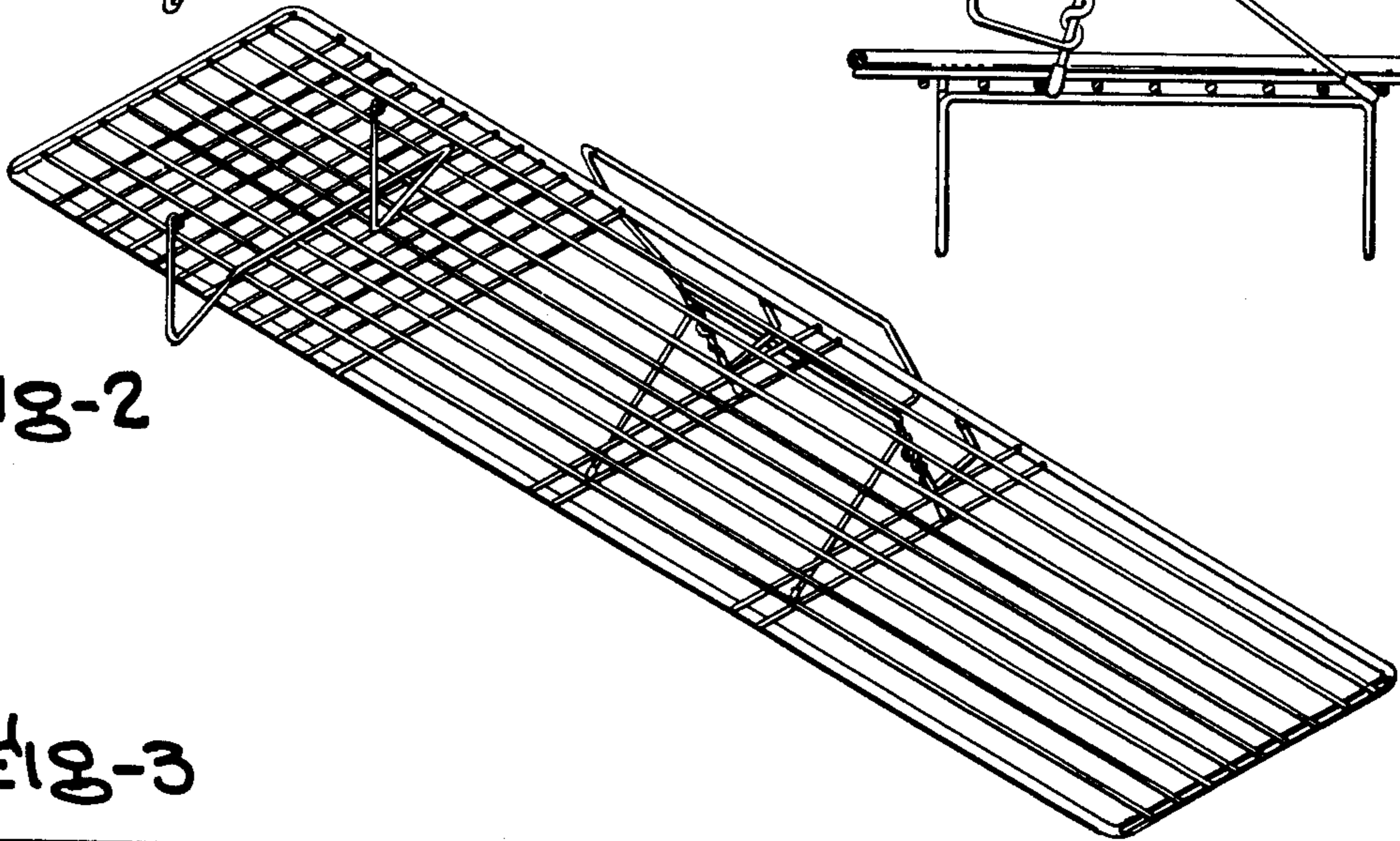


FIG-3

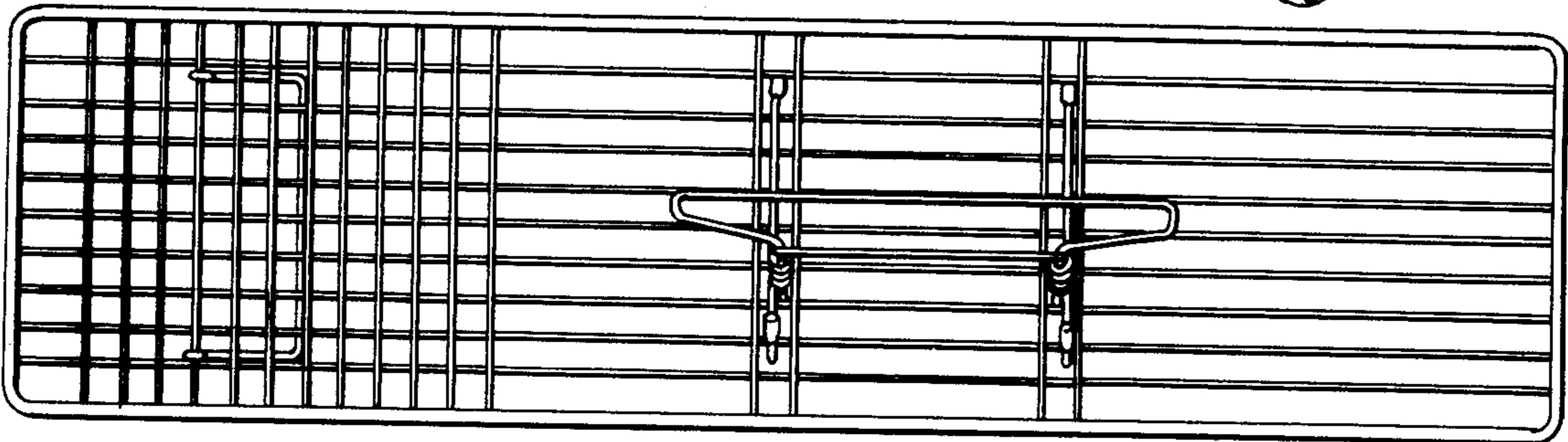


FIG-4

