

[54] TOY STABLE AND CORRAL

[75] Inventor: William Donald Gordon, Sr.,  
Glenview, Ill.

[73] Assignee: Arvey Corporation

[\*\*] Term: 14 Years

[21] Appl. No.: 652,904

[22] Filed: Jan. 28, 1976

[51] Int. Cl. .... D21-01

[52] U.S. Cl. .... D34/15 LL

[58] Field of Search ..... D25/1, 18, 31;  
D34/11 A, 15 LL; 46/12, 13

[56] References Cited

U.S. PATENT DOCUMENTS

D. 44,041	5/1913	Thayer et al. ....	D34/15 LL
D. 175,650	9/1955	Saia .....	D34/15 LL
D. 241,959	10/1976	Jaros .....	D34/15 LL
2,223,222	11/1940	Morrison .....	D34/15 LL

OTHER PUBLICATIONS

Sears, Xmas Catalog, 1974, p. 491, Toy Log Corral at top right corner of page.

Primary Examiner—Joel Stearman

Assistant Examiner—C. A. Rademaker

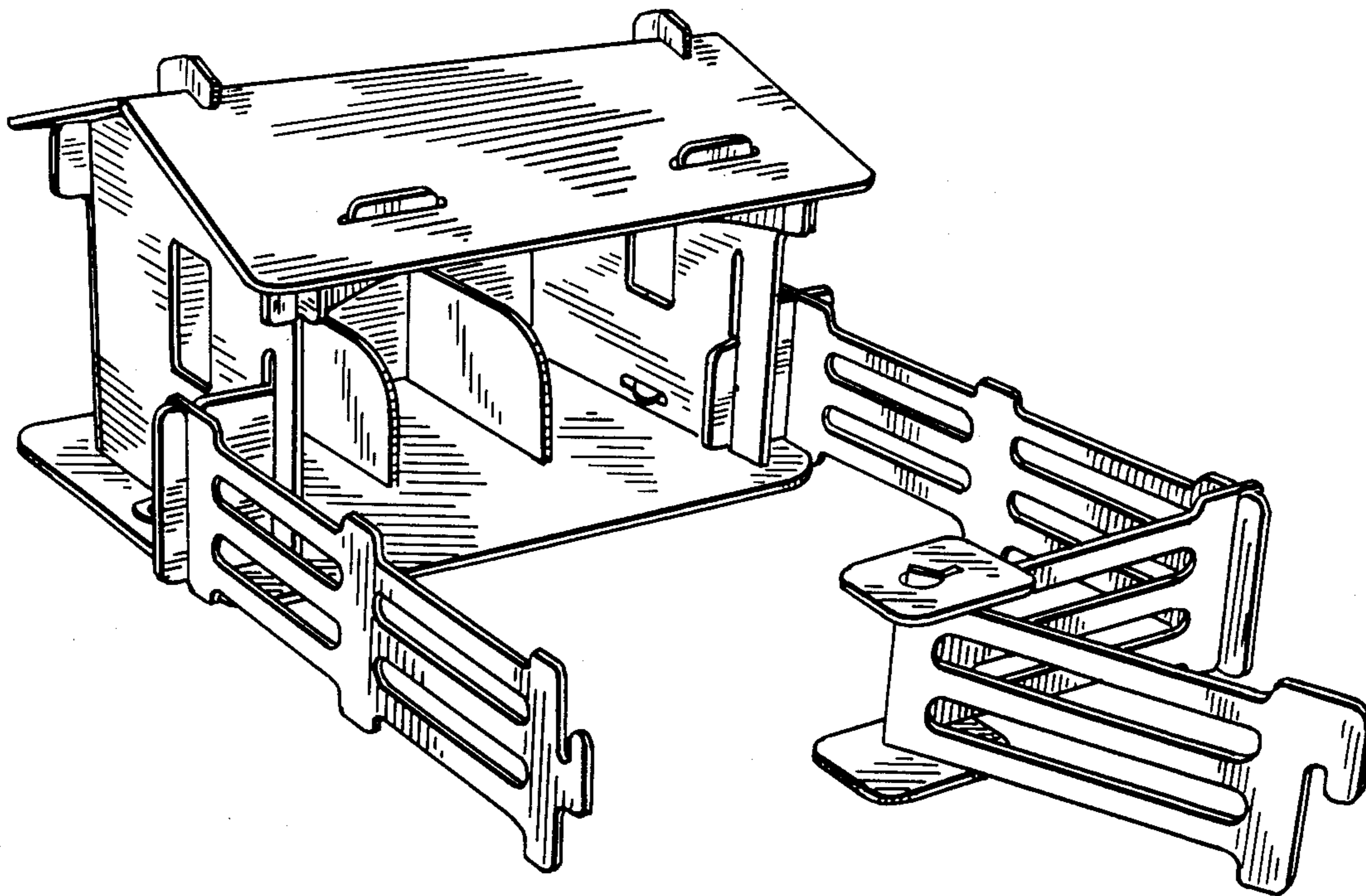
Attorney, Agent, or Firm—Max Dressler

[57] CLAIM

The ornamental design for a toy stable and corral, substantially as shown.

DESCRIPTION

FIG. 1 is a front perspective view of a toy stable and corral, showing my new design;  
 FIG. 2 is a front elevational view thereof with the gate member in a closed condition;  
 FIG. 3 is a top plan view thereof;  
 FIG. 4 is a left side elevational view thereof;  
 FIG. 5 is a rear elevational view thereof; and  
 FIG. 6 is a right side elevational view thereof.



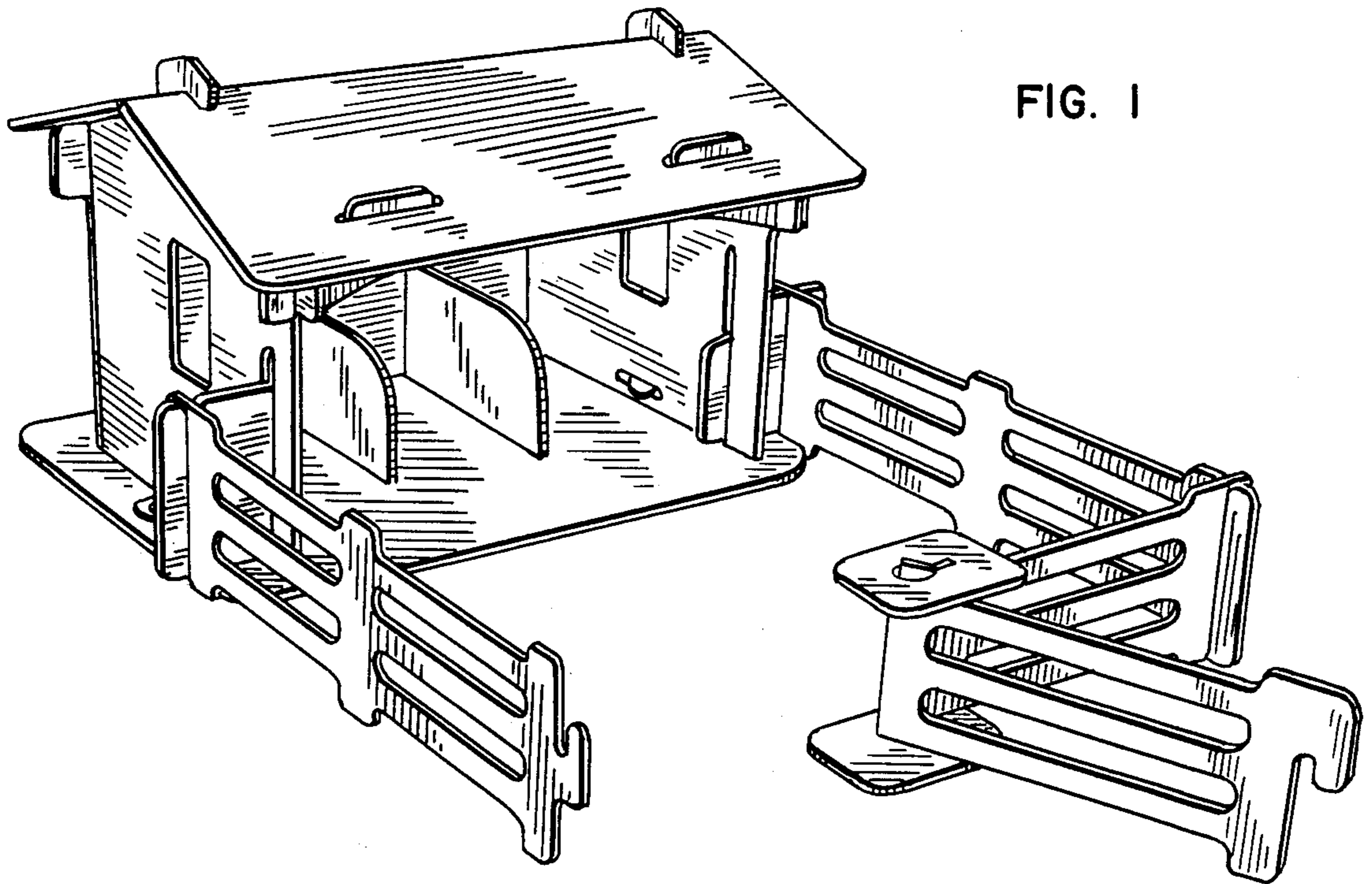


FIG. 1

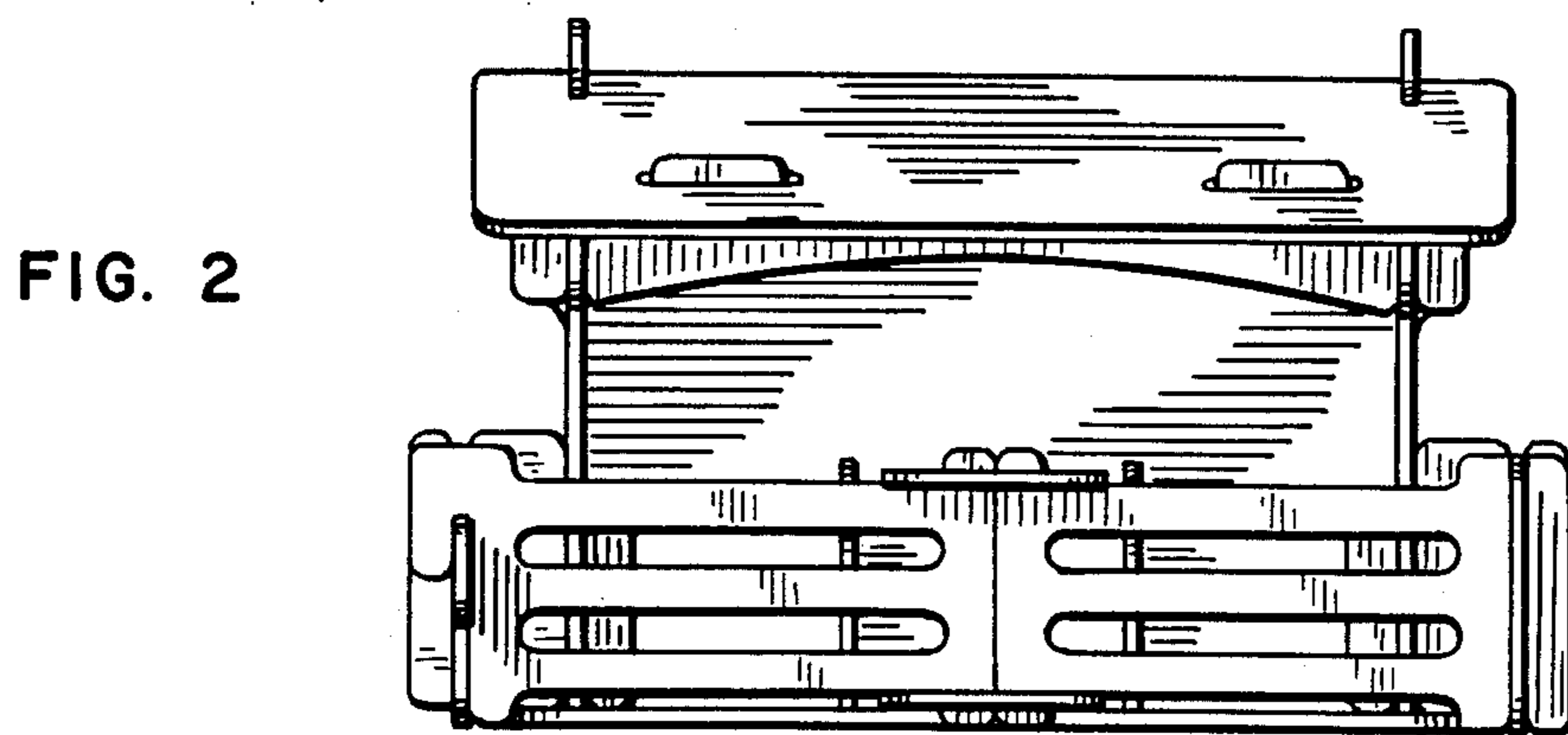


FIG. 2

FIG. 3

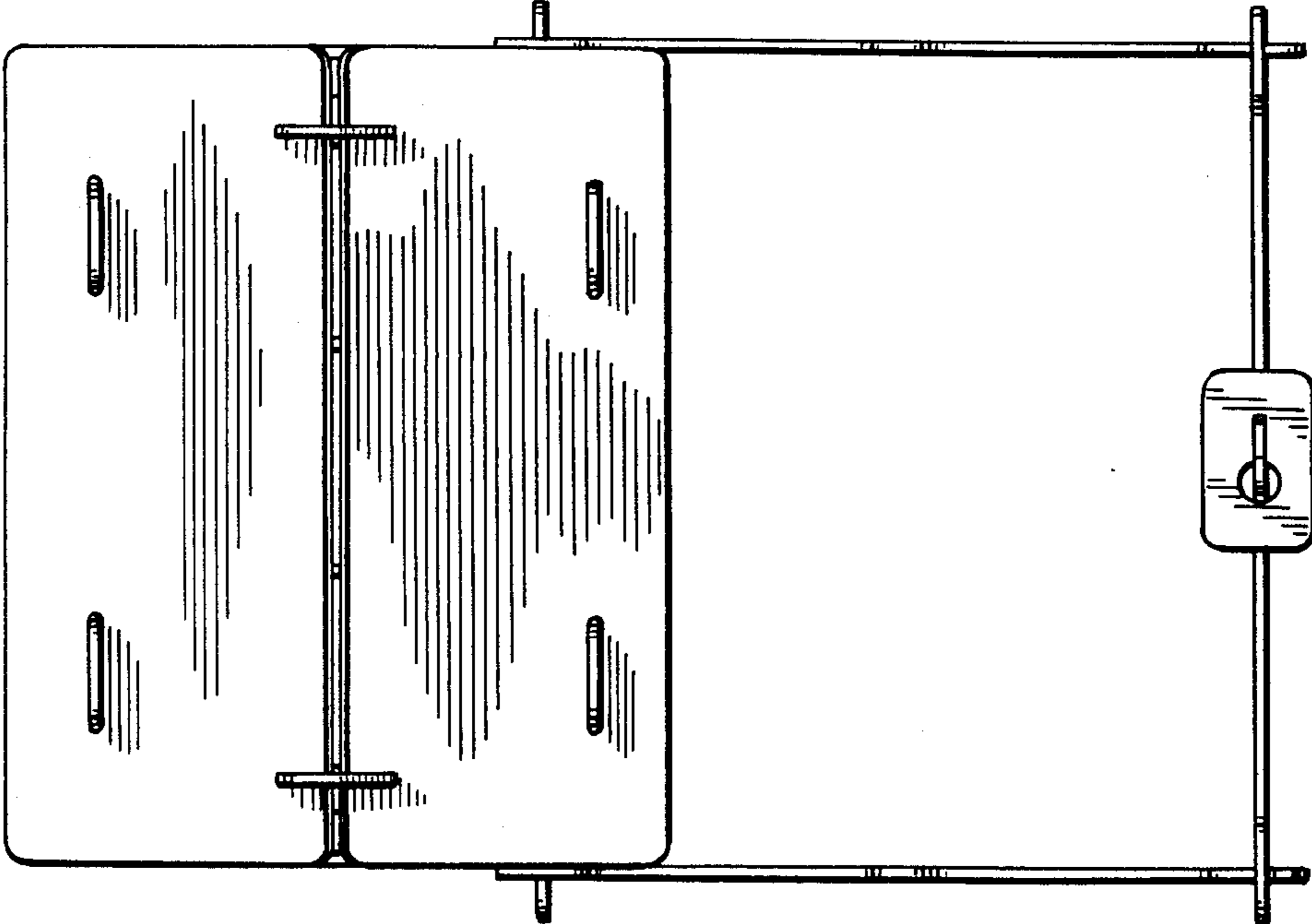


FIG. 4

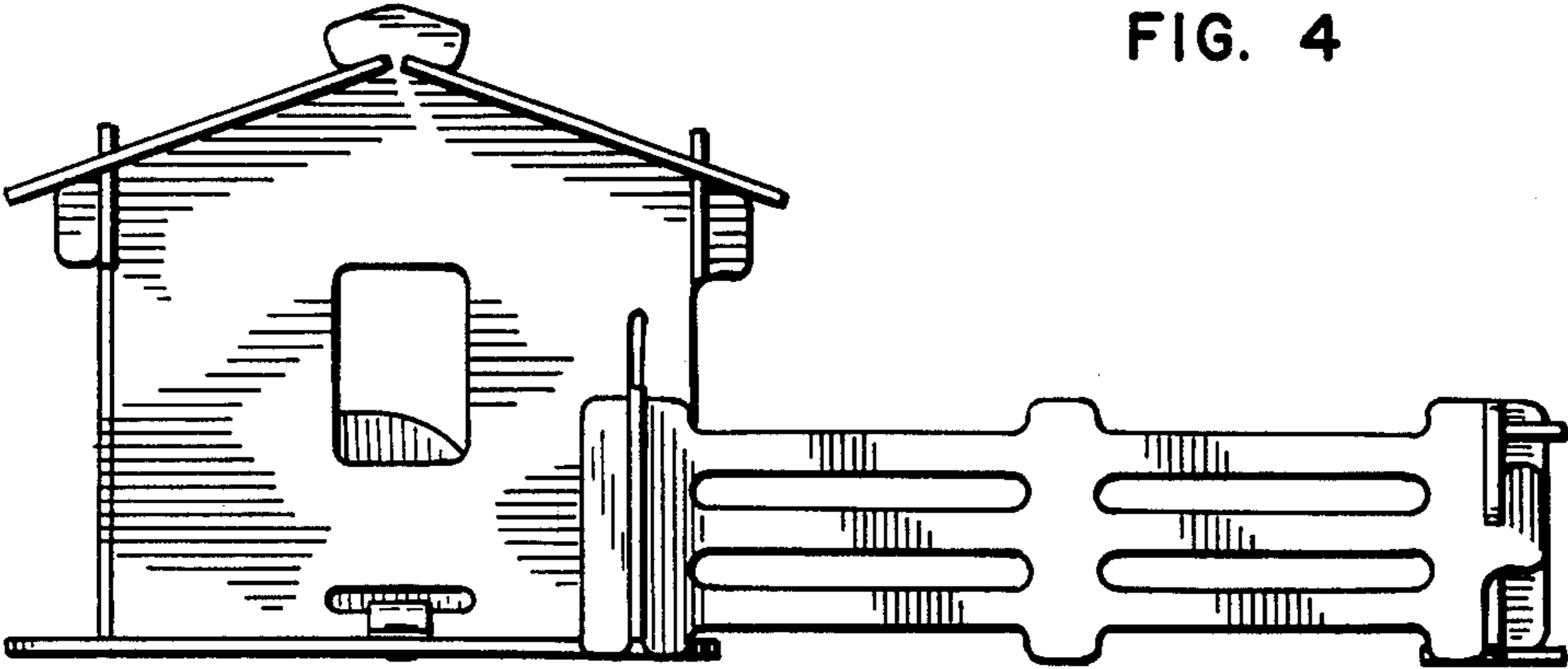


FIG. 5

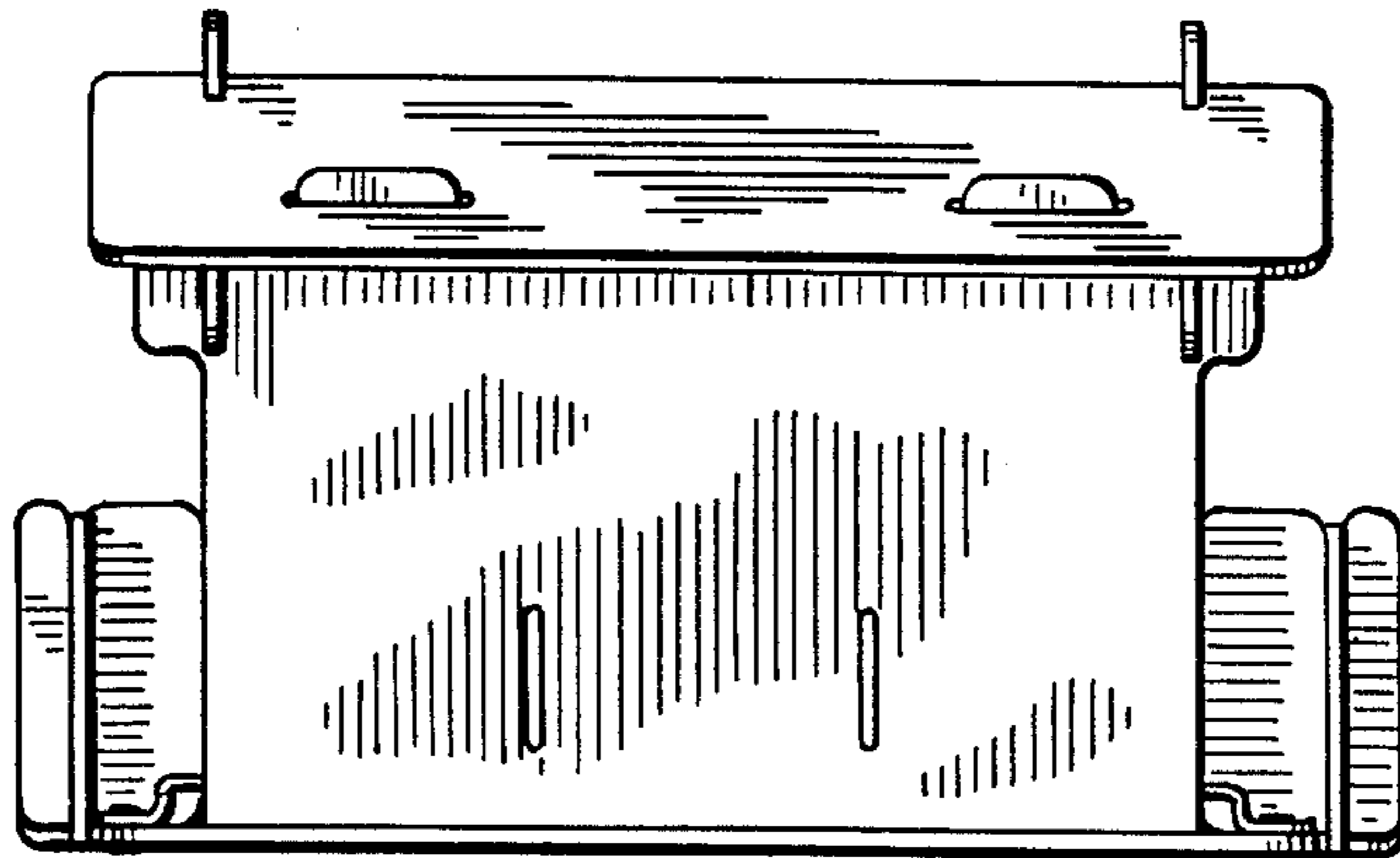


FIG. 6

