

[54] TOY LOCOMOTIVE

[75] Inventor: Iesato Watanabe, Misato, Japan

[73] Assignee: Tomy Kogyo Co., Inc., Tokyo, Japan

[**] Term: 14 Years

[21] Appl. No.: 651,237

[22] Filed: Jan. 22, 1976

[51] Int. Cl. D21-01

[52] U.S. Cl. D34/15 H

[58] Field of Search D34/15 H, 15 MM;
D12/38, 39; 46/6, 7, 8, 9, 217

[56] References Cited

U.S. PATENT DOCUMENTS

D. 168,166 11/1952 Margolis D34/15 H

1,710,609 4/1929 Colwell 46/7
2,546,123 3/1951 Goldfarb 46/9
2,675,641 4/1954 Baggott 46/8

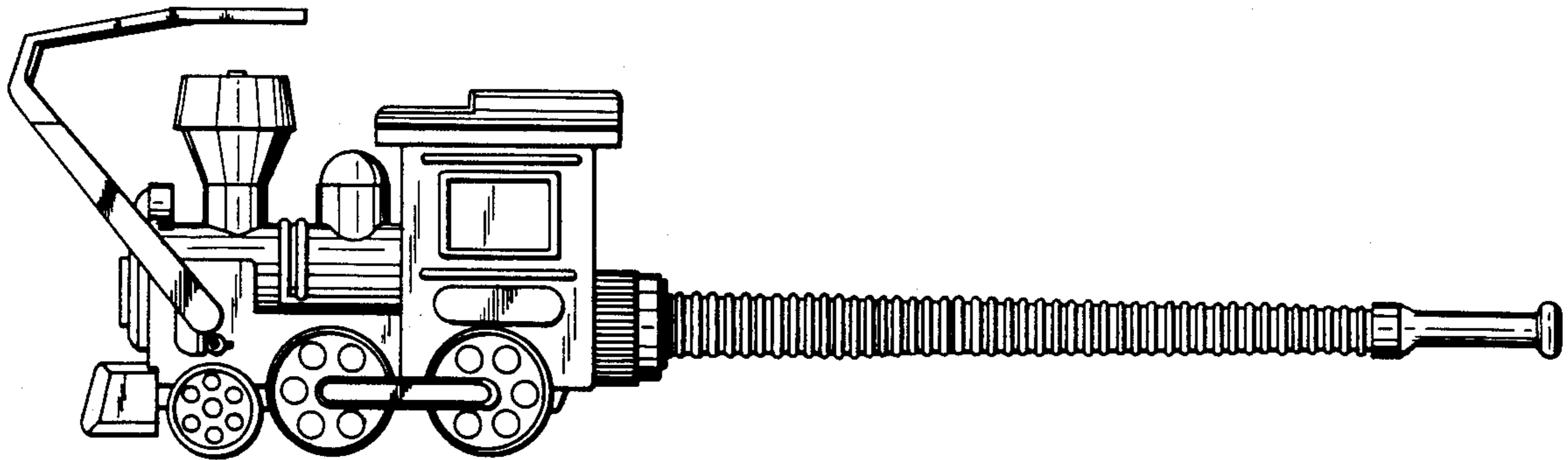
Primary Examiner—Joel Stearman
Assistant Examiner—C. A. Rademaker
Attorney, Agent, or Firm—James D. Halsey, Jr.

[57] CLAIM

The ornamental design for a toy locomotive, as shown and described.

DESCRIPTION

FIG. 1 is a left side elevational view of a bubble blower showing my new design, the side opposite being substantially a mirror image;
FIG. 2 is a front elevational view thereof;
FIG. 3 is a rear elevational view thereof;
FIG. 4 is a top plan view thereof; and
FIG. 5 is a bottom plan view thereof.



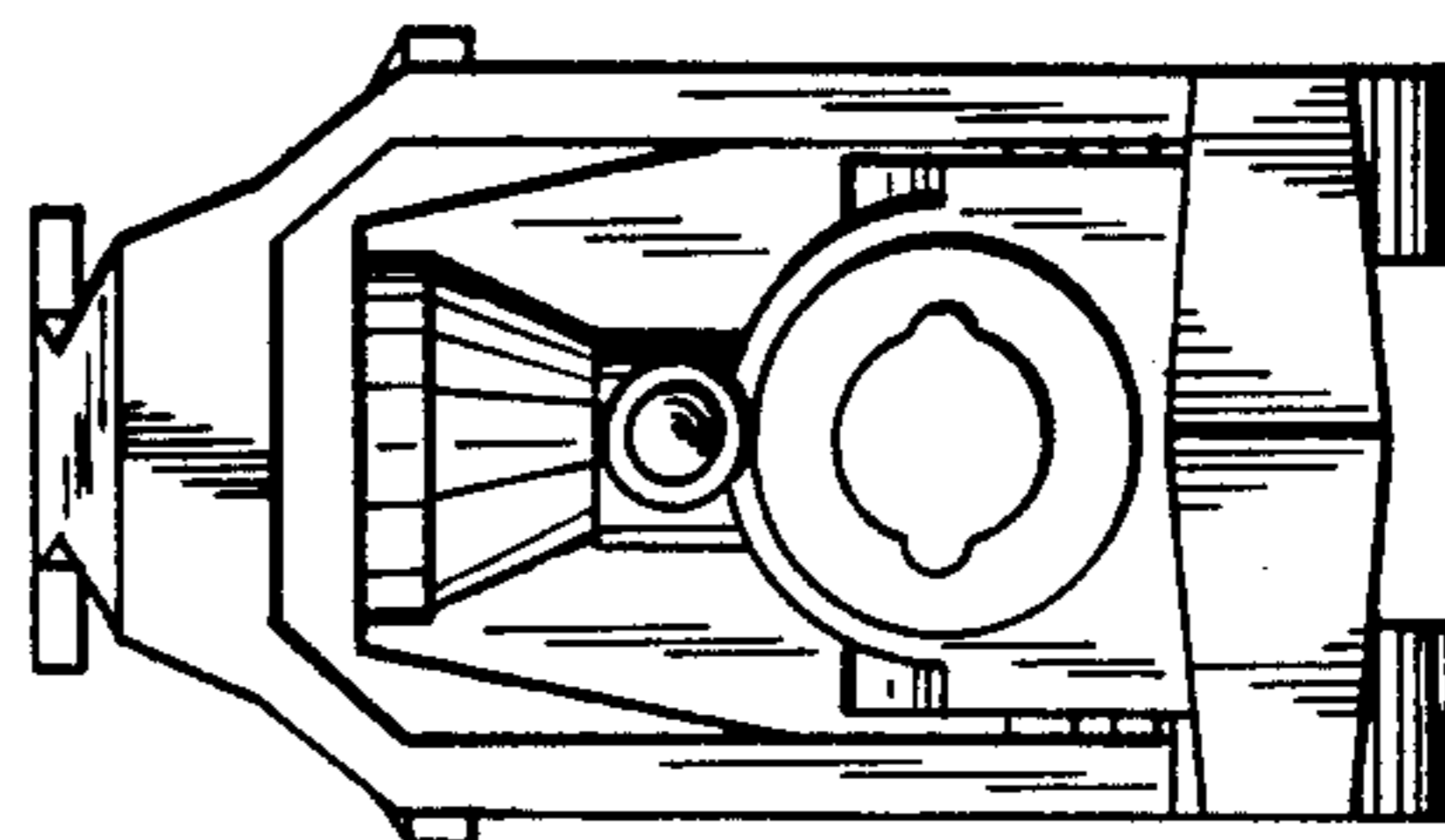
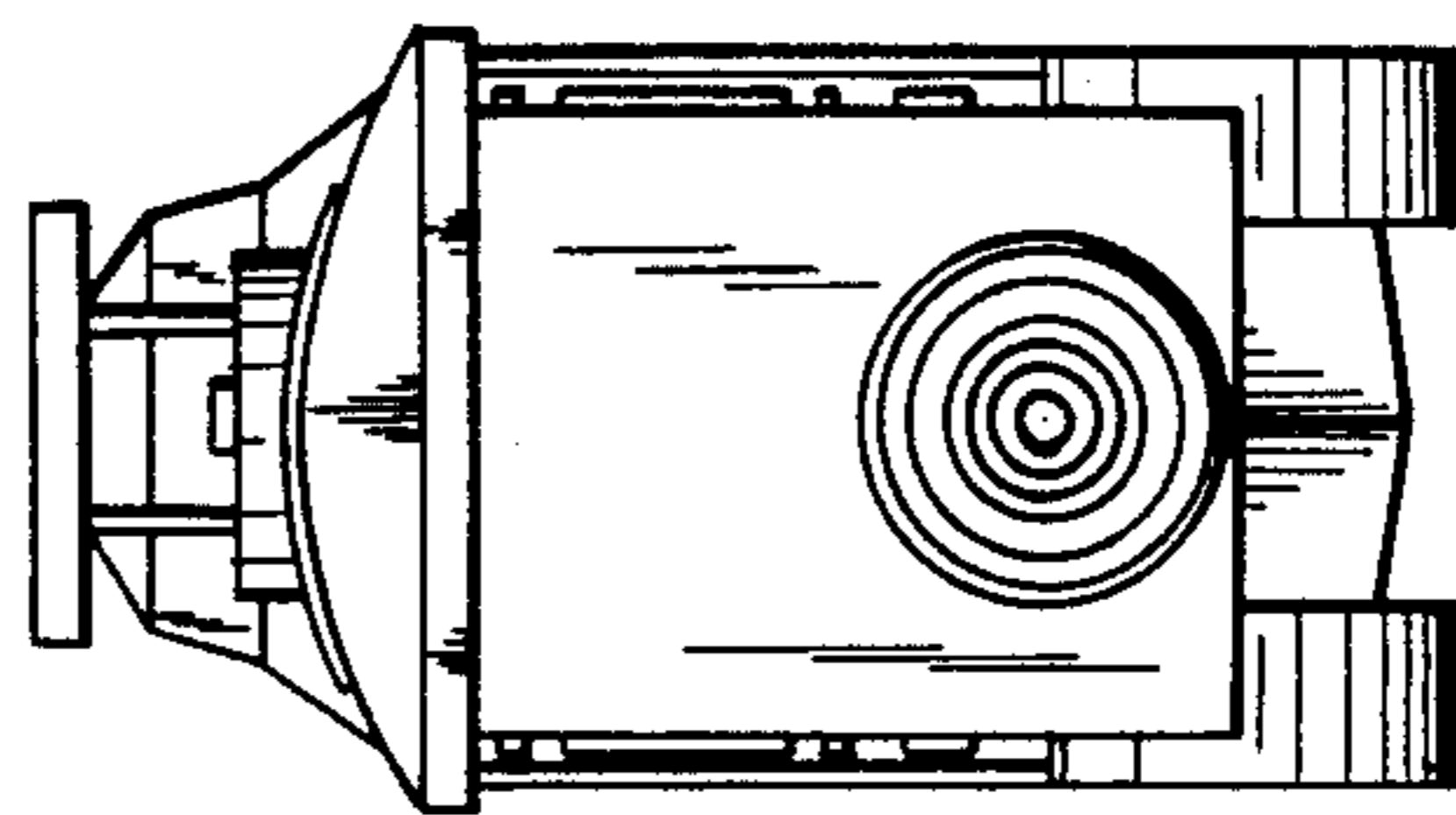
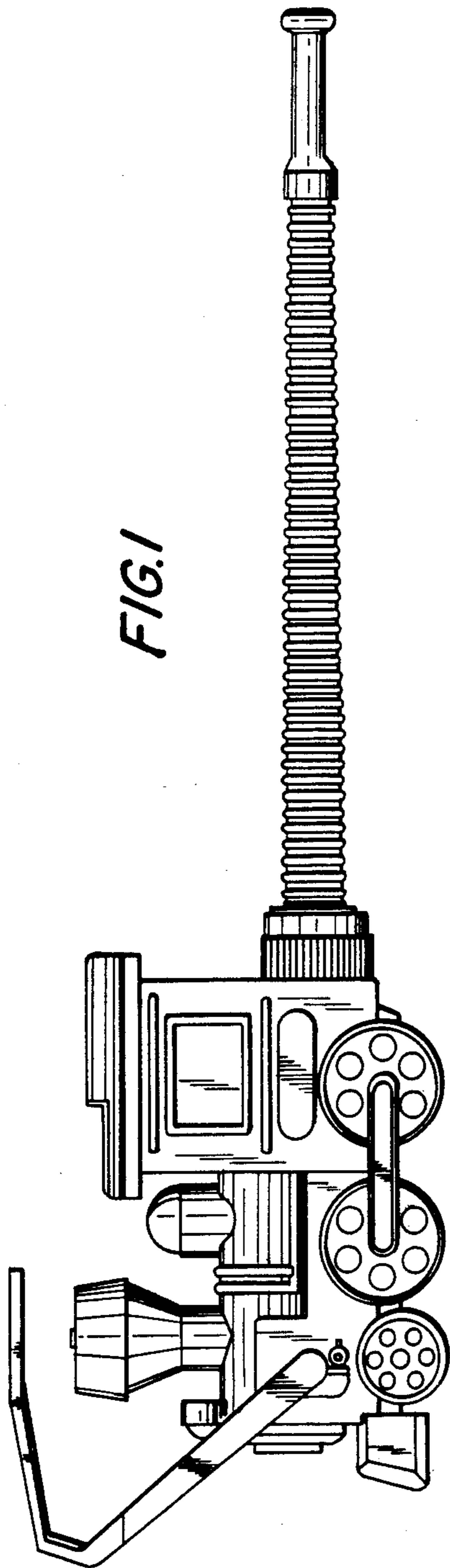


FIG. 4

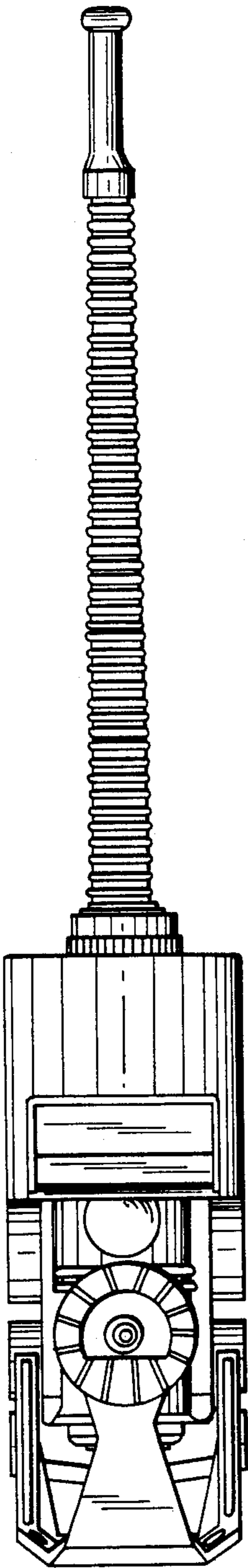


FIG. 5

