

- [54] CONCOURSE SEAL
- [75] Inventor: Guy S. Puccio, Snyder, N.Y.
- [73] Assignee: Acme Highway Products Corporation, Buffalo, N.Y.
- [**] Term: 14 Years
- [21] Appl. No.: 698,821
- [22] Filed: June 23, 1976
- [51] Int. Cl. D25-01
- [52] U.S. Cl. D25/75
- [58] Field of Search 404/69, 32, 65, 64; D25/75, 74, 76; 52/396, 403

[56] **References Cited**

U.S. PATENT DOCUMENTS

3,682,053	8/1972	Kerschner	404/65
3,718,403	2/1973	Kerschner	404/69 X
3,765,784	10/1973	Watson et al.	404/64
3,776,654	12/1973	Brown	404/65
3,918,824	11/1975	Bowman	404/65 X

Primary Examiner—A. Hugo Word
Attorney, Agent, or Firm—Conrad Christel

[57] **CLAIM**

The ornamental design for a concourse seal, substantially as shown and described.

DESCRIPTION

FIG. 1 is a fragmentary, elongated perspective view of a concourse seal, showing my new design; FIG. 2 is a fragmentary, top plan view thereof; FIG. 3 is a fragmentary, side elevational view thereof; FIG. 4 is a fragmentary, bottom view thereof; FIG. 5 is a transverse, cross sectional view of a concourse seal similar to that shown in FIG. 1 but having a greater transverse dimension; FIG. 6 is a fragmentary, top plan view of my design as set forth in FIG. 5; and FIG. 7 is a fragmentary, bottom view of my design as set forth in FIG. 5. The seal has been disclosed in fragmentary form in the several views to indicate an article of indefinite length.

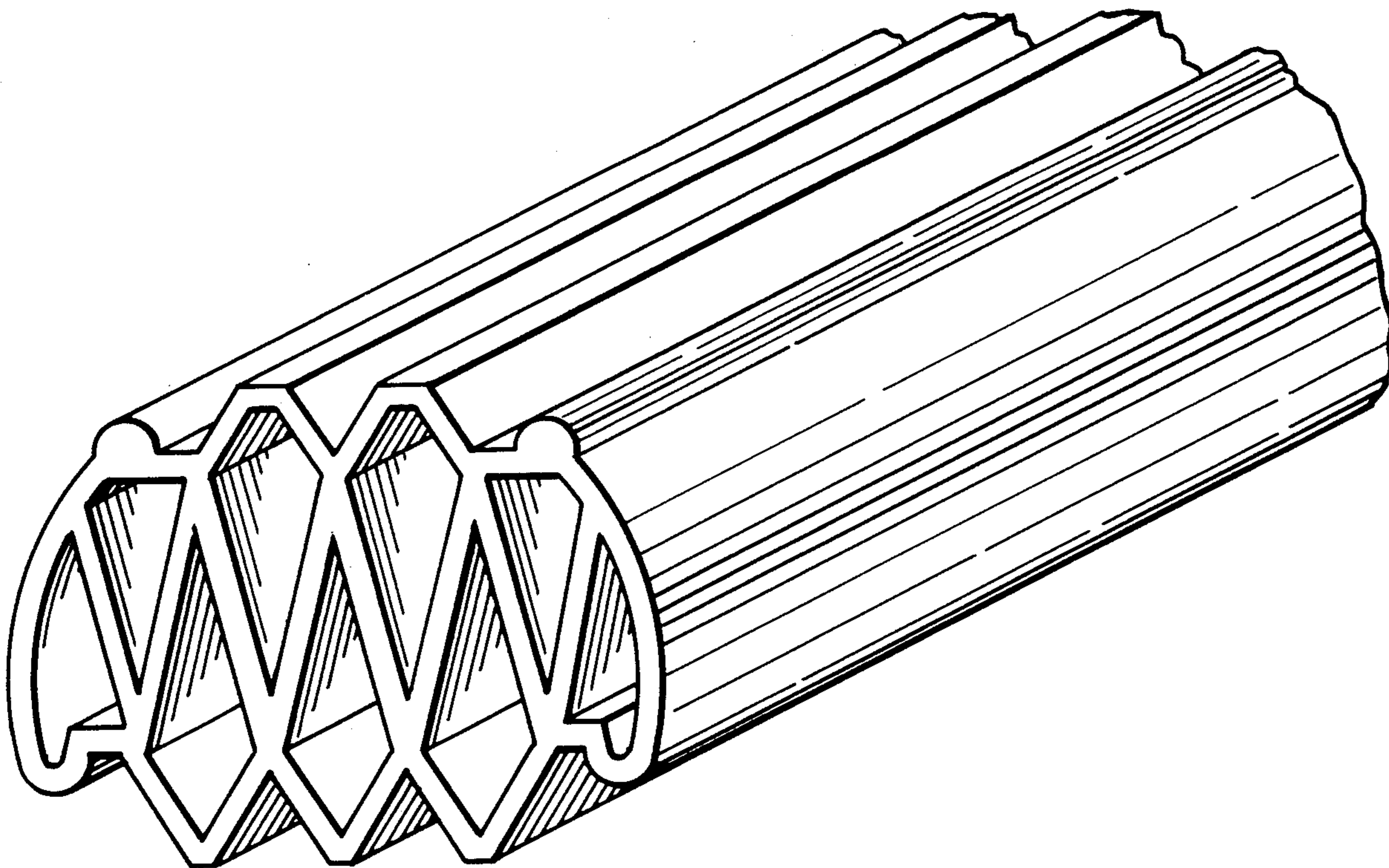


Fig. 1.

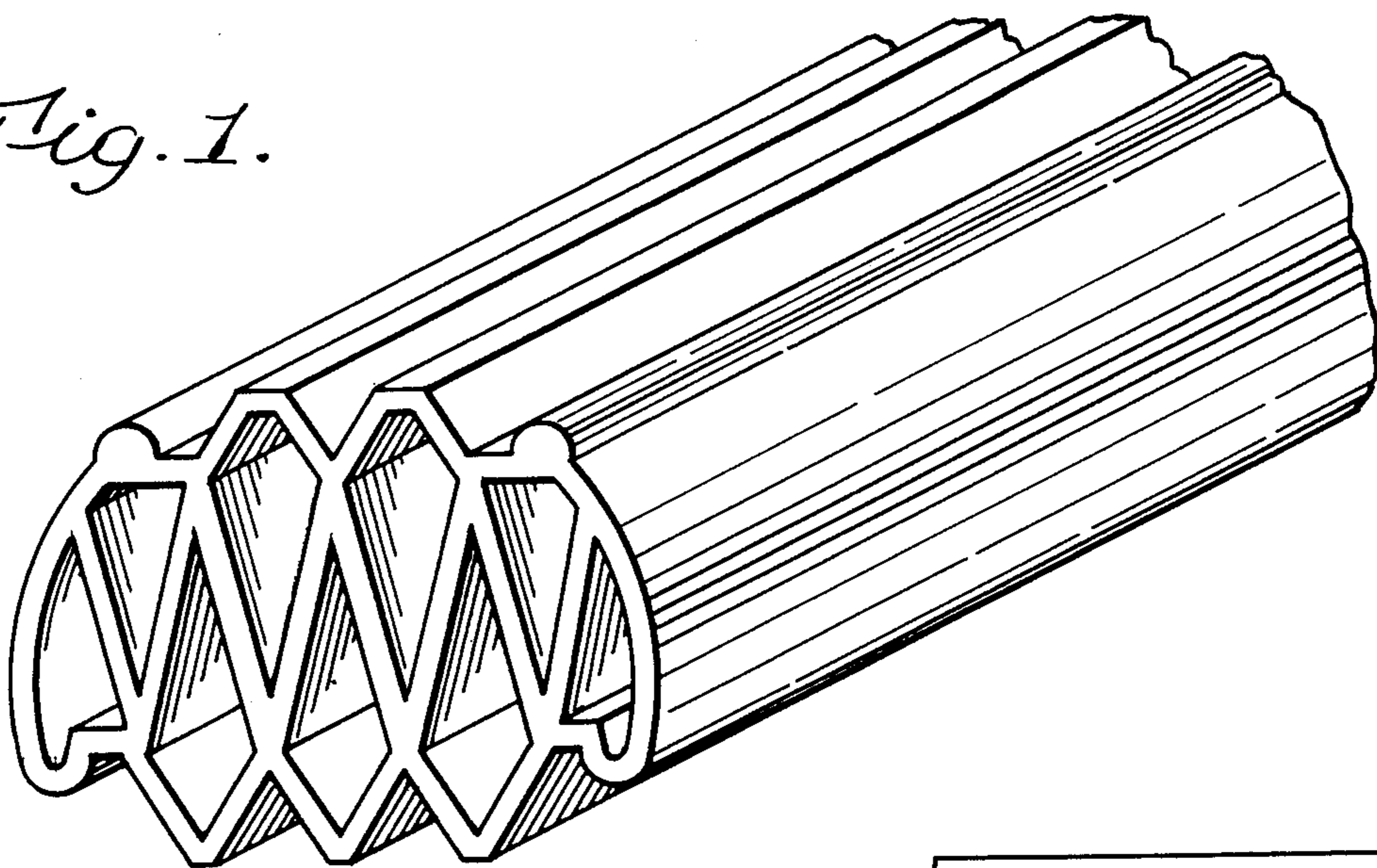


Fig. 2.

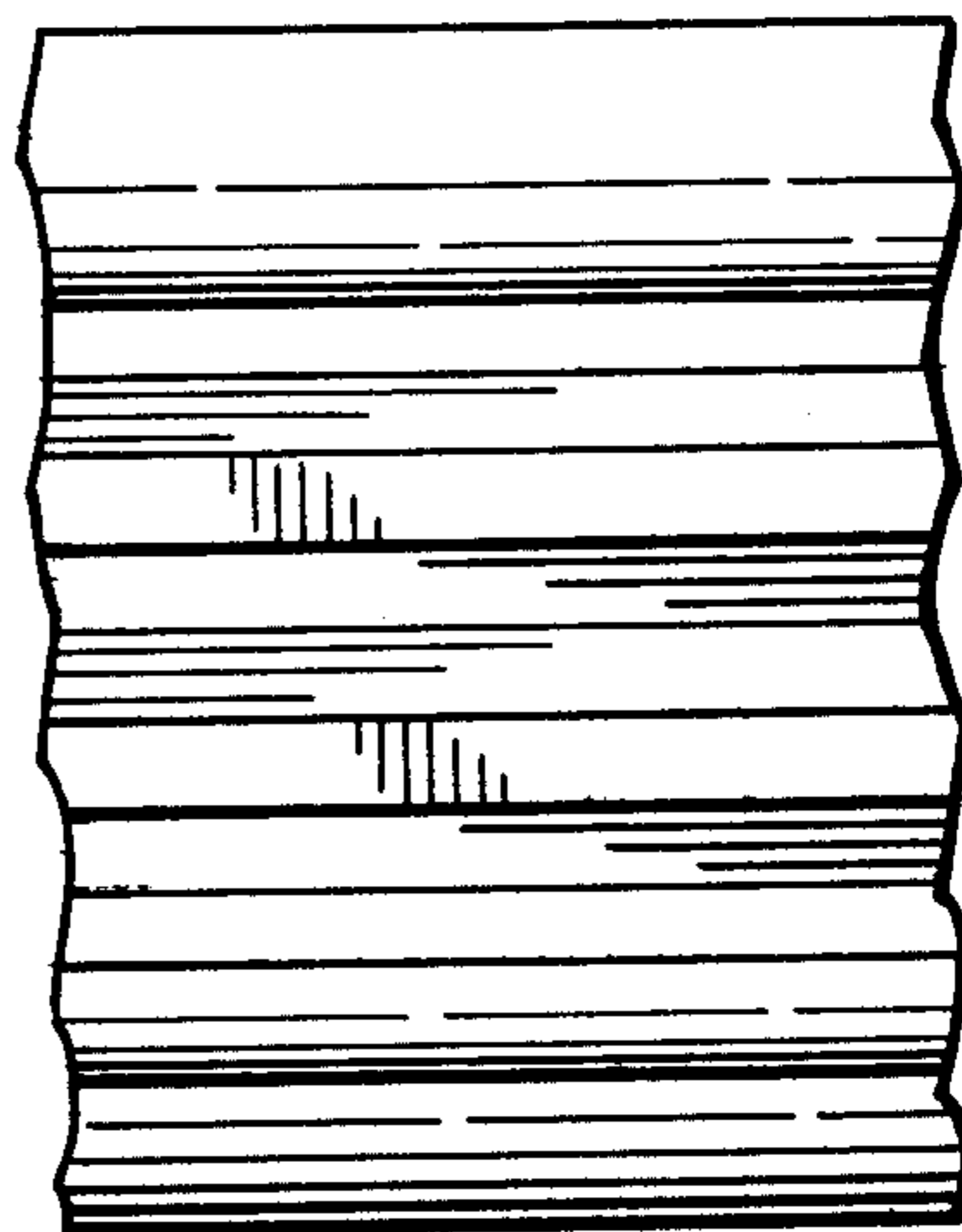


Fig. 3.

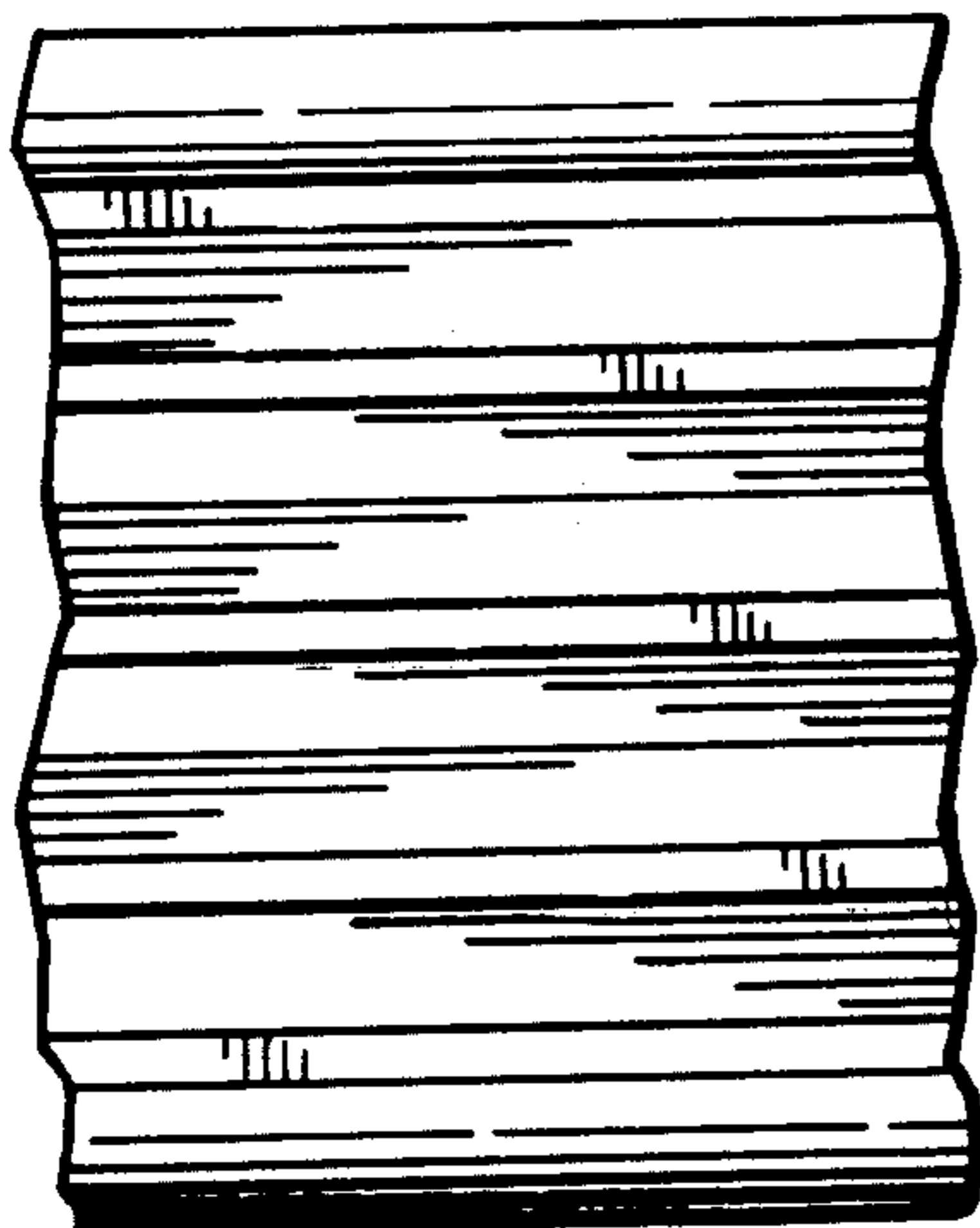


Fig. 4.

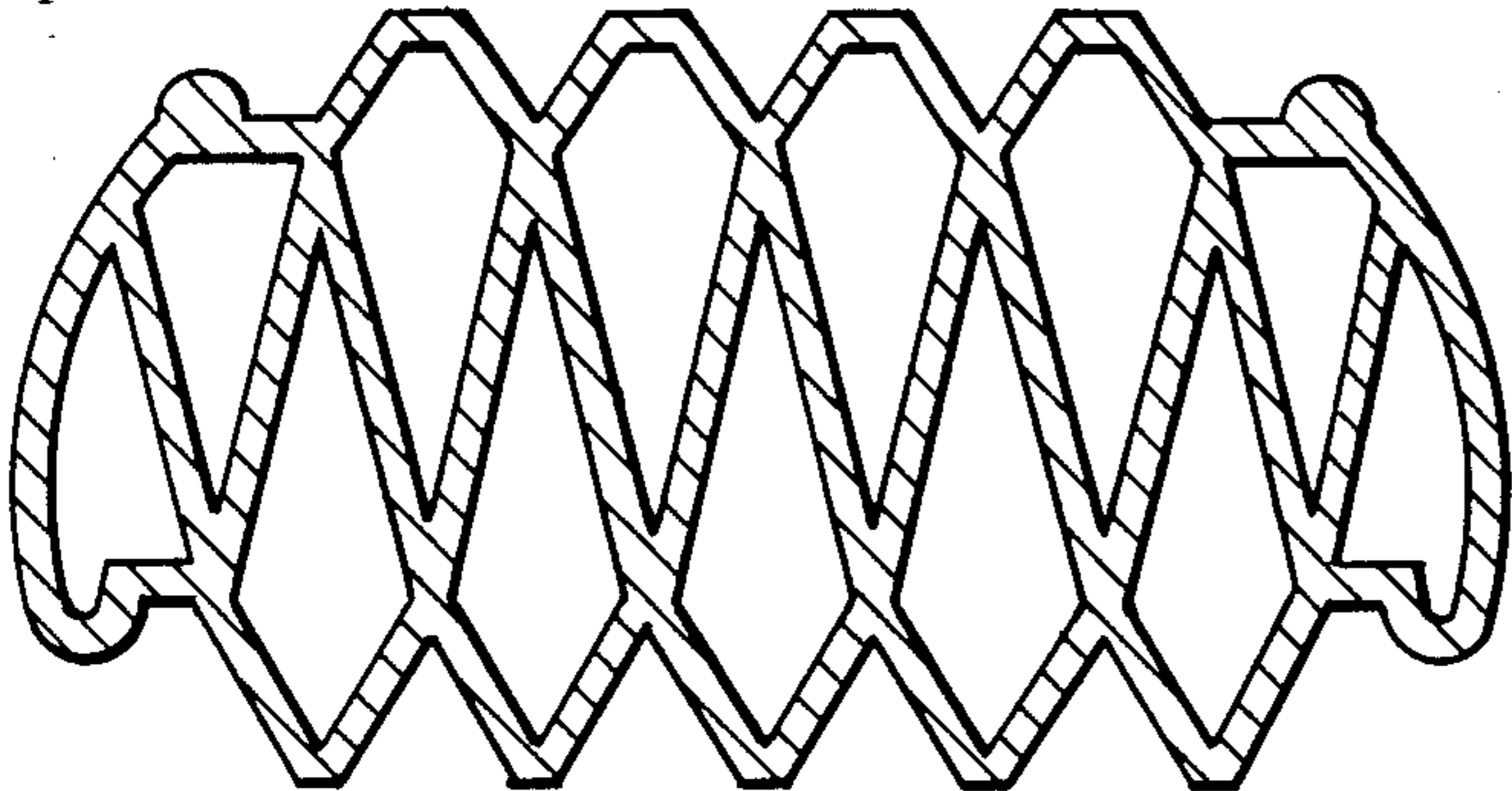


Fig. 5.

Fig. 6.

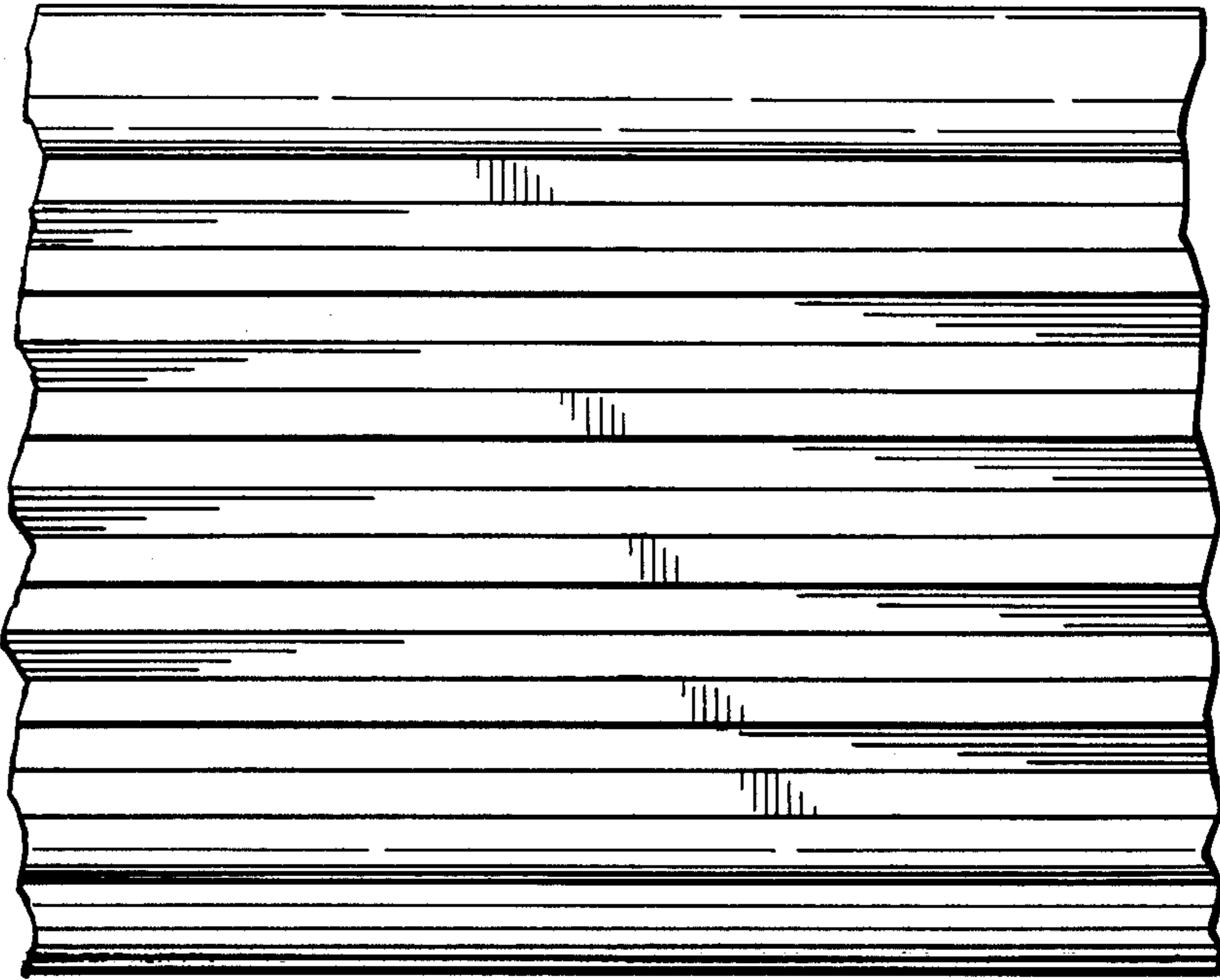


Fig. 7.