

[54] TRACK LIGHTING SYSTEM FIXTURE CONNECTOR

[75] Inventor: Hans Peter Berkenhoff, Ludenscheid, Germany
[73] Assignee: Lightcraft of California, Los Angeles, Calif.
[**] Term: 14 Years
[21] Appl. No.: 669,252
[22] Filed: Mar. 22, 1976

[51] Int. Cl. D13-03
[52] U.S. Cl. D13/24
[58] Field of Search D26/1 R, 1 A, 12; 339/22 R, 75 R, 75 M, 88 R

[56] References Cited

U.S. PATENT DOCUMENTS

3,337,835 8/1967 Seidon 339/75 R X
3,646,501 2/1972 Valtonen 339/75 M

OTHER PUBLICATIONS

Electrical Consultant, Sept. 1973, p. 7, Channel Connector.

Primary Examiner—Susan J. Lucas
Attorney, Agent, or Firm—Samuel Lindenberg

[57] CLAIM

The ornamental design for a track lighting system fixture connector, substantially as shown.

DESCRIPTION

FIG. 1 is a front, left, and top perspective view of a track lighting system fixture connector showing my new design;

FIG. 2 is a right side elevation view thereof;

FIG. 3 is a rear elevation view thereof;

FIG. 4 is a left side elevation view thereof;

FIG. 5 is a front elevation view thereof;

FIG. 6 is a plan view thereof; and

FIG. 7 is a bottom view thereof.

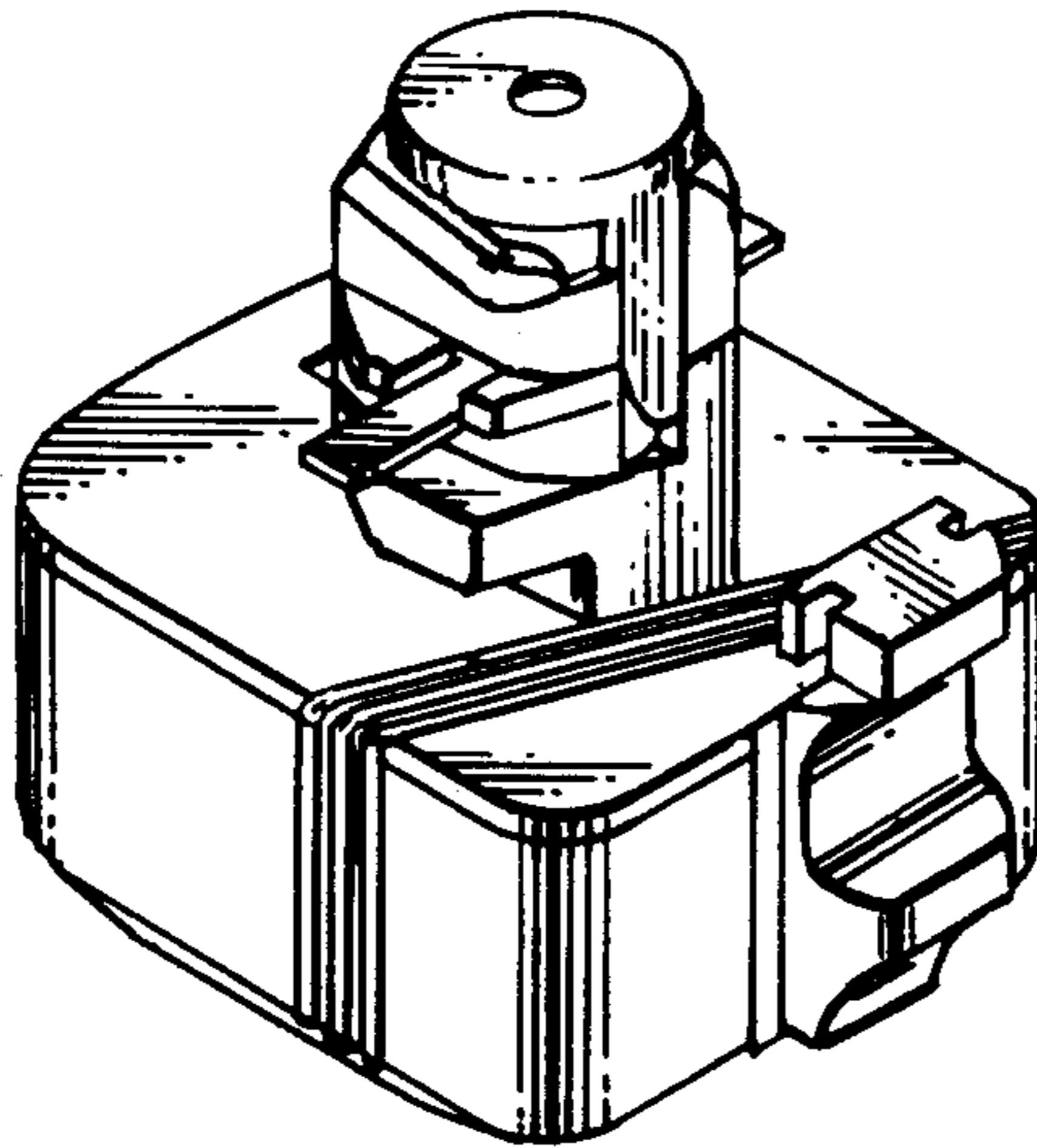


Fig. 2

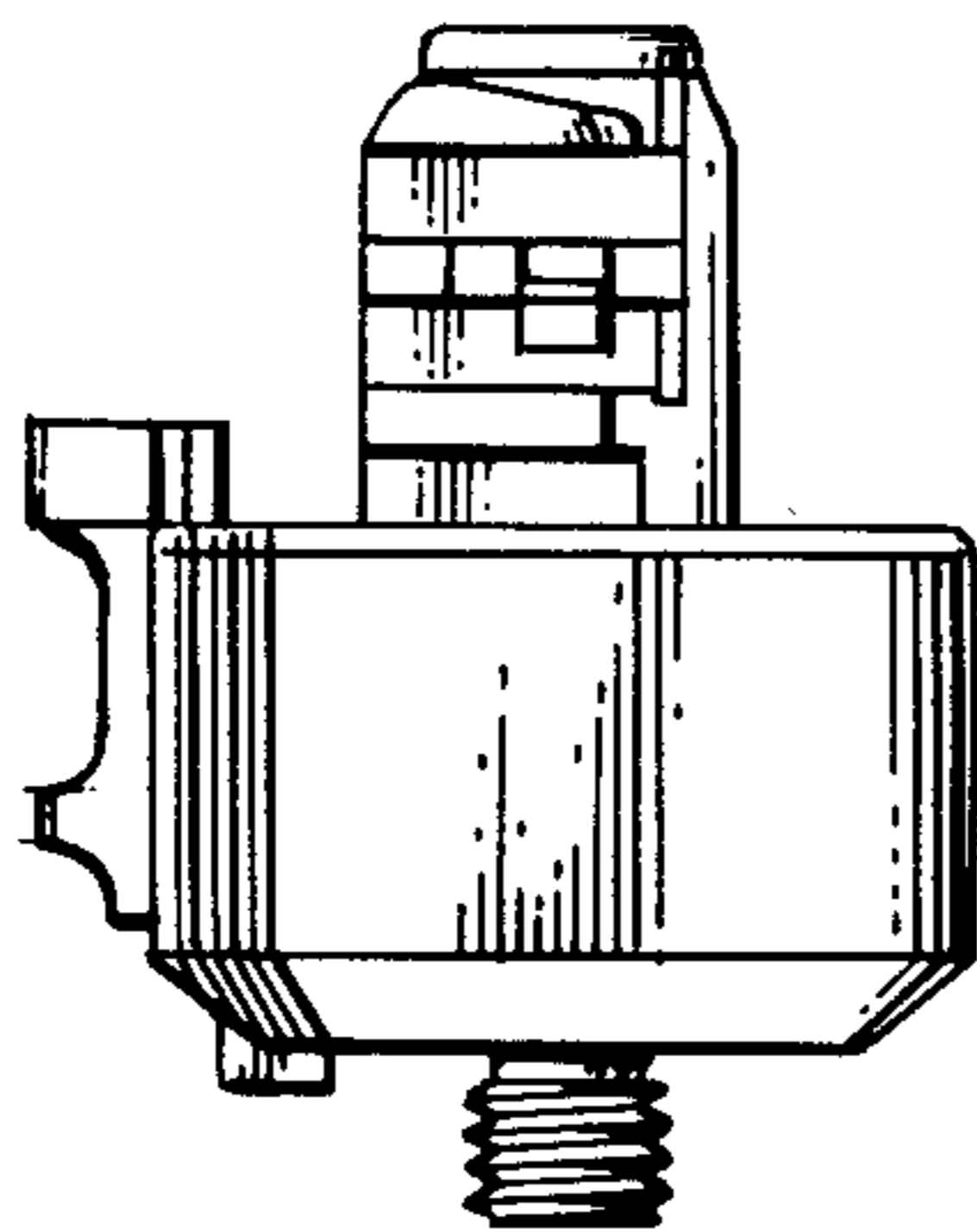


Fig. 3

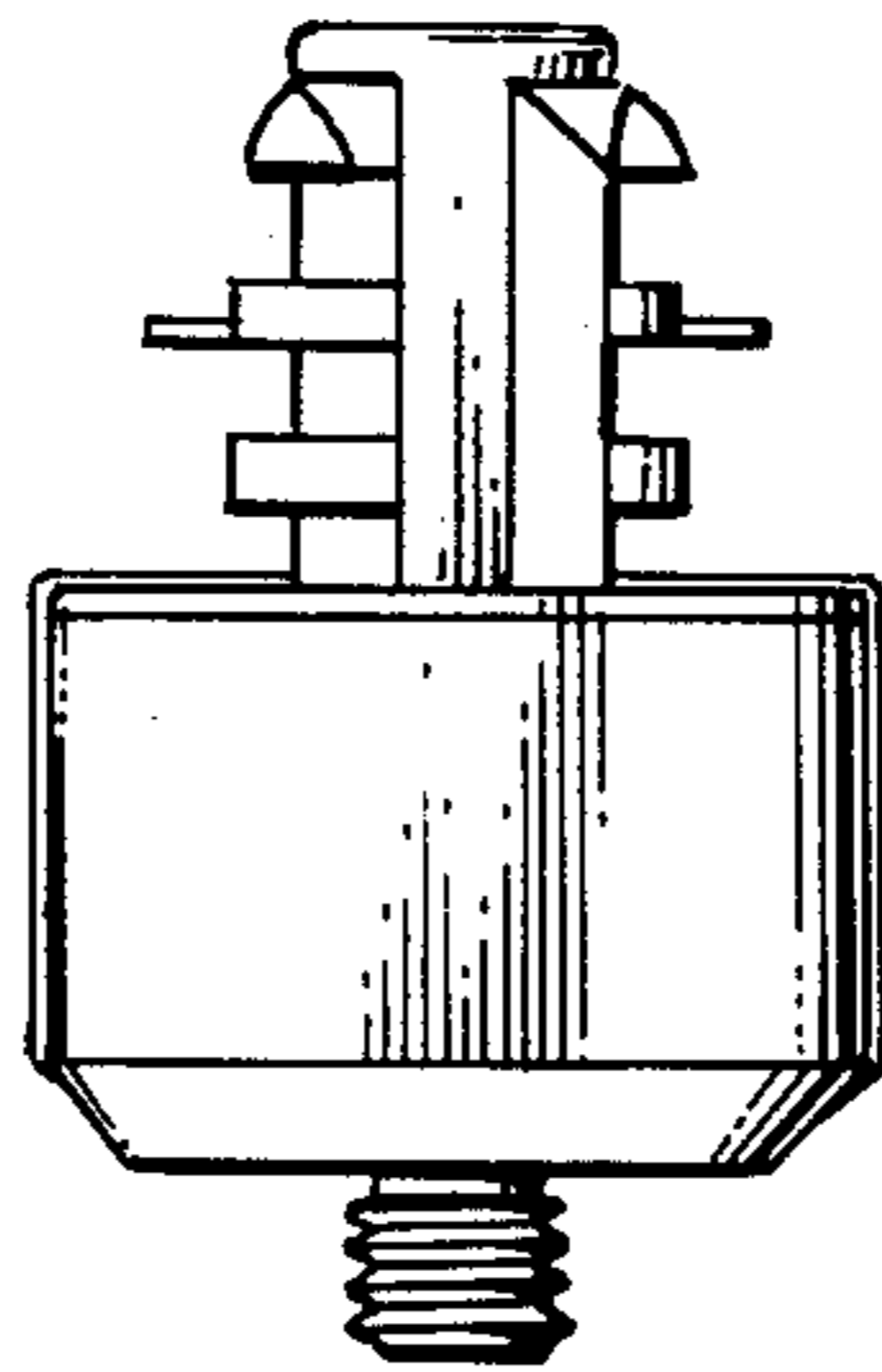


Fig. 4

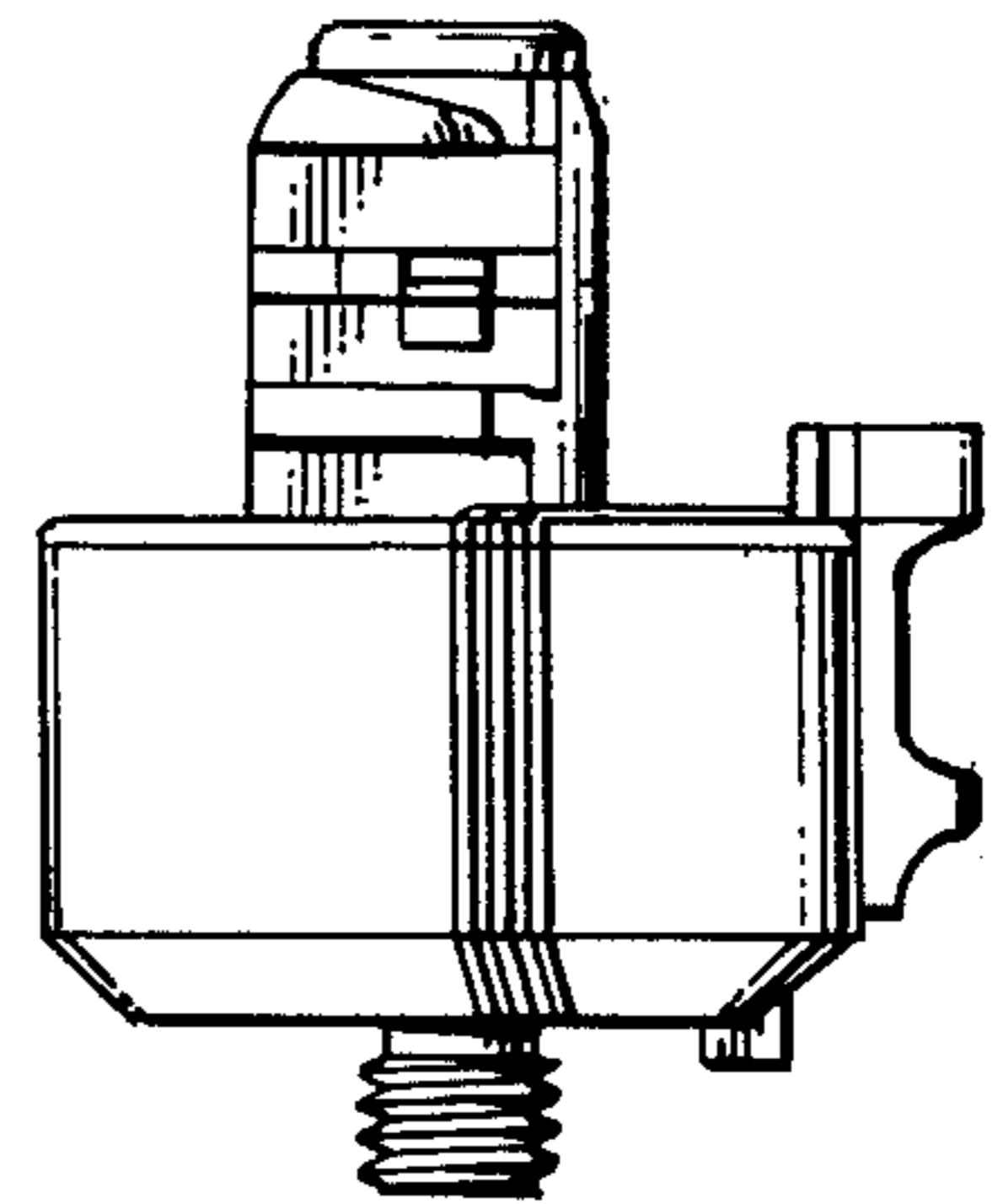


Fig. 5

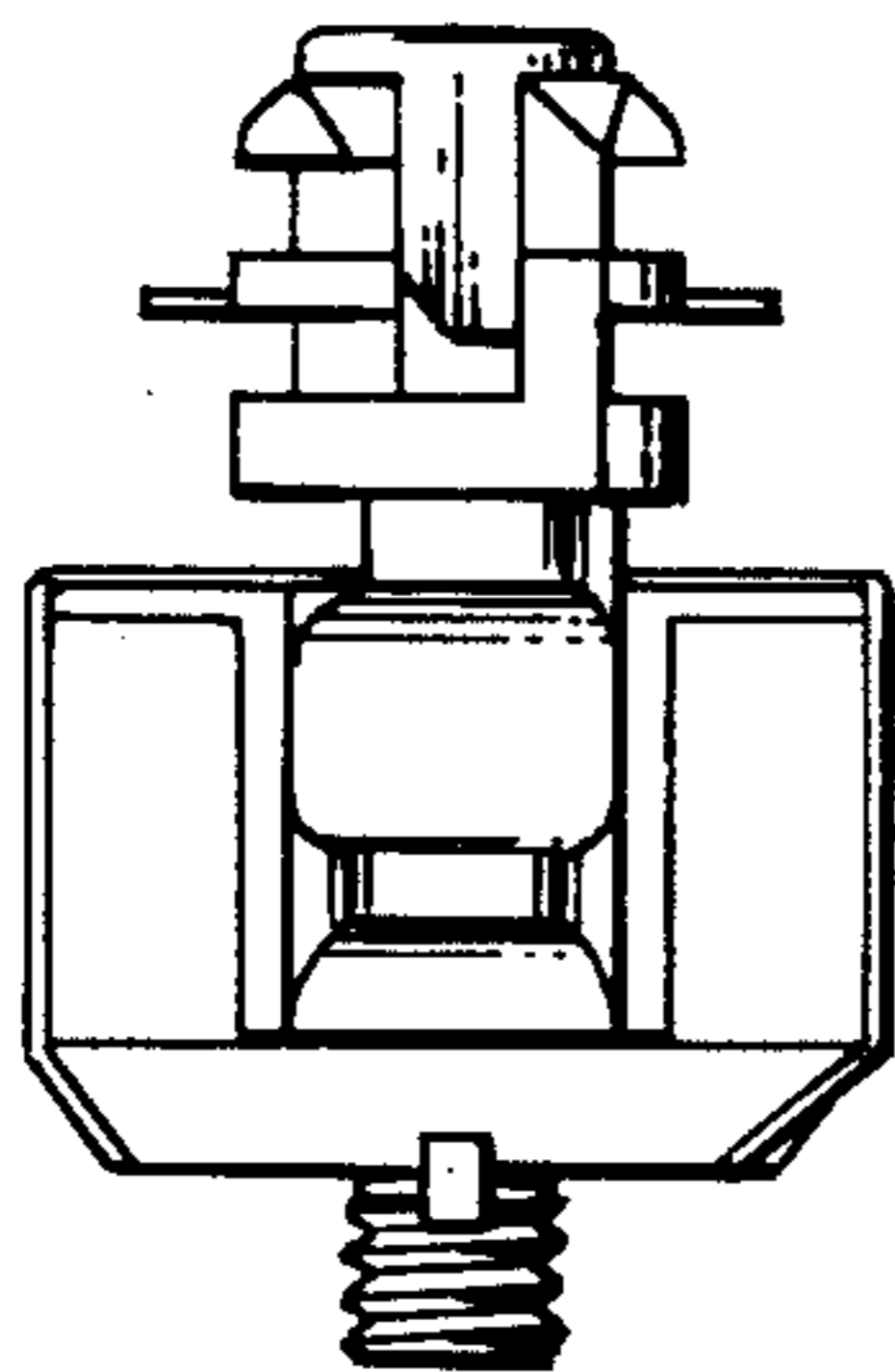


Fig. 6

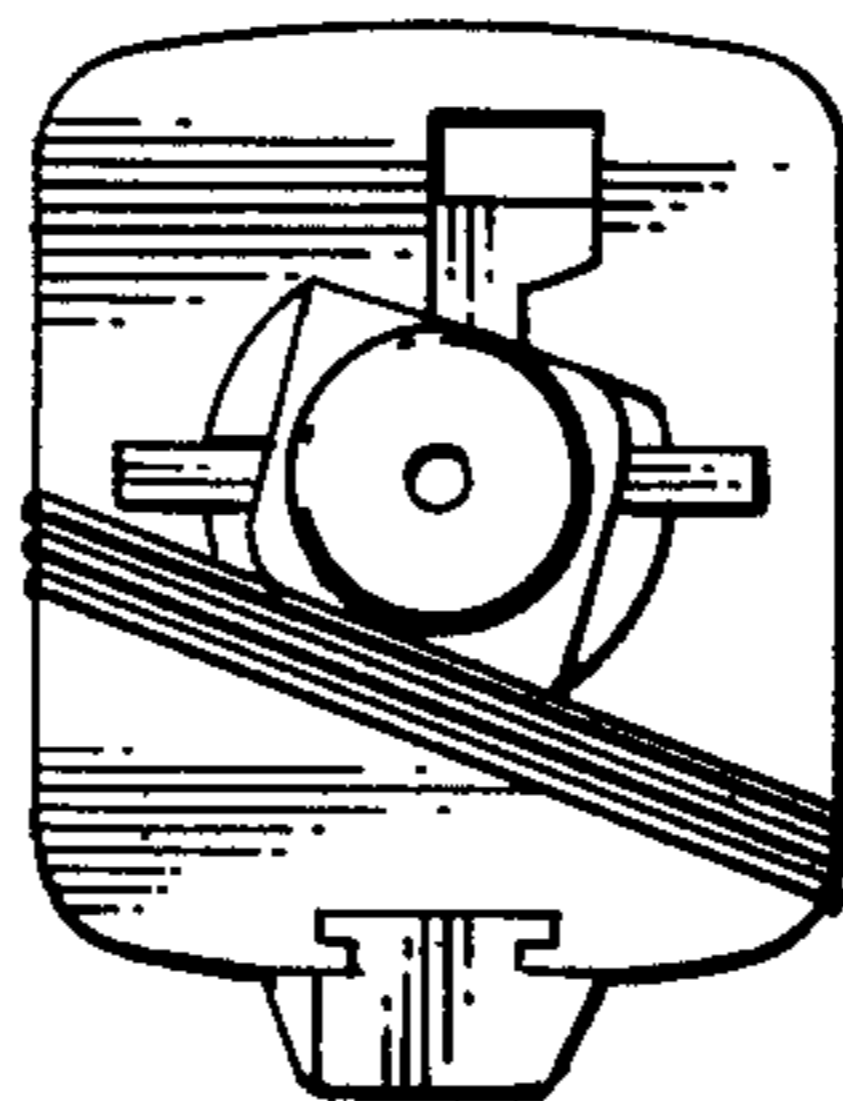


Fig. 7

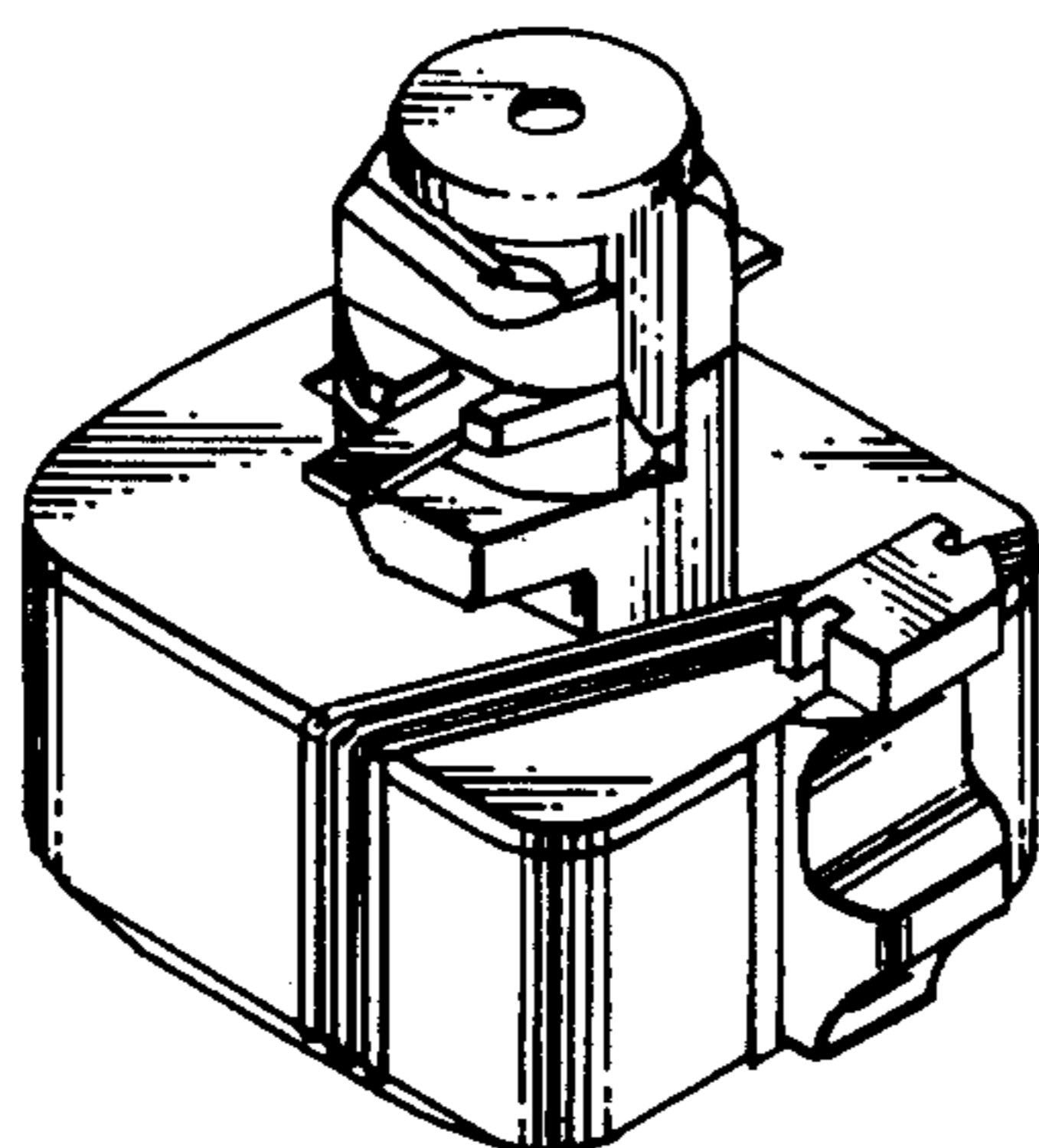


Fig. 1