

[54] ADJUSTABLE HANDLEBARS FOR BICYCLE

[76] Inventor: Larry P. Heber, 188 N. West, Vacaville, Calif. 95688

[**] Term: 14 Years

[21] Appl. No.: 705,453

[22] Filed: July 15, 1976

[51] Int. Cl. D12-11

[52] U.S. Cl. D12/178

[58] Field of Search D12/178; 74/551.3, 551.4, 74/551.5, 551.6, 551.7

[56] References Cited

U.S. PATENT DOCUMENTS

325,014	8/1885	Rodes, Jr.	74/551.4
679,086	7/1901	Luce	74/551.4
3,481,218	12/1969	Yoshikawa	74/551.4
3,505,901	4/1970	Stone	74/551.4
3,863,521	2/1975	Gatsos et al.	74/551.4

FOREIGN PATENT DOCUMENTS

932,957	12/1947	France	74/551.4
395,697	7/1933	United Kingdom	74/551.3

Primary Examiner—Wallace R. Burke
Assistant Examiner—James M. Gandy
Attorney, Agent, or Firm—Robert G. West

[57] CLAIM

The ornamental design for an adjustable handlebars for bicycle as shown and described.

DESCRIPTION

FIG. 1 is a top plan view of the adjustable handle bars for bicycle showing my new design;
FIG. 2 is a side elevational view thereof, the opposite side being a mirror image of the side shown herein;
FIG. 3 is a bottom plan view thereof;
FIG. 4 is a cross sectional view thereof taken along line 4-4 in FIG. 3;
FIG. 5 is an end elevational view thereof, the opposite end being a mirror image of the end shown herein;
FIG. 6 is a top plan view thereof with the handle bars in an alternate position; and,
FIG. 7 is a top plan view thereof with the handle bars in another alternate position.
The broken lines in FIGS. 6 and 7 of the drawing are for illustrative purposes only.

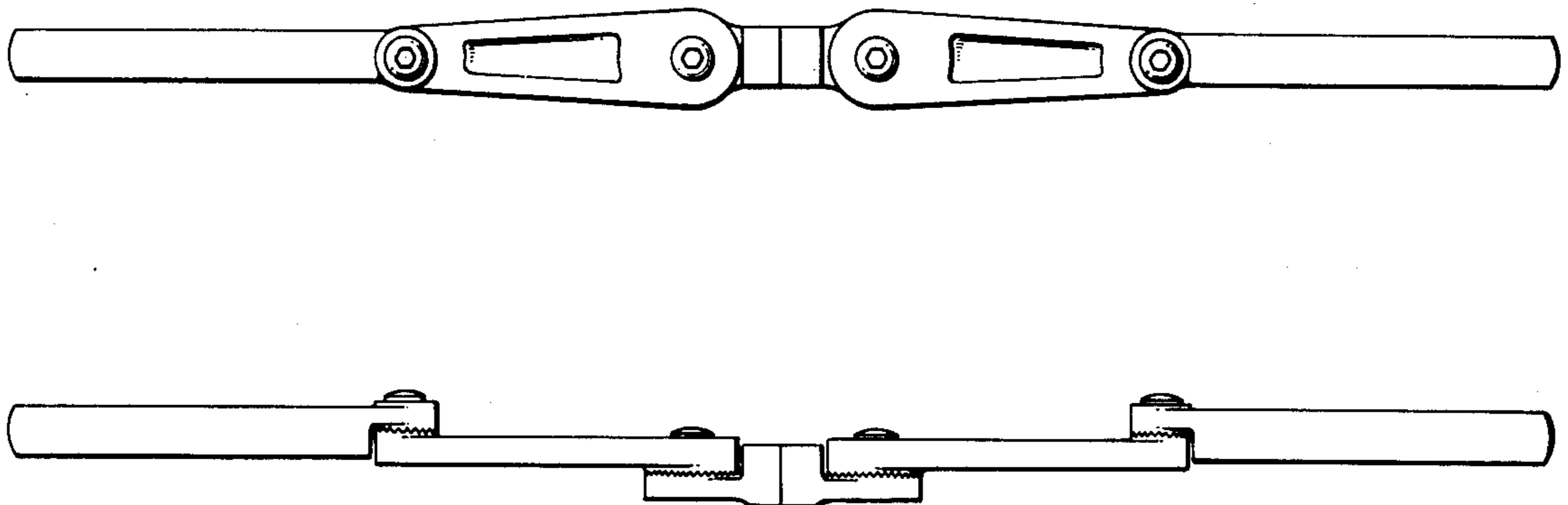


FIG-1

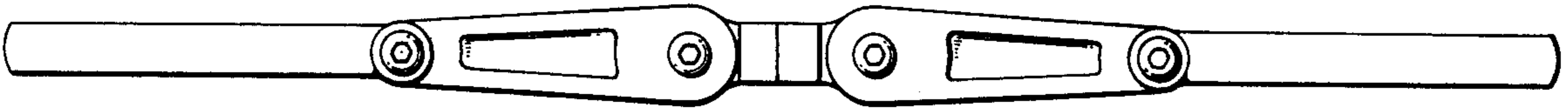


FIG-2

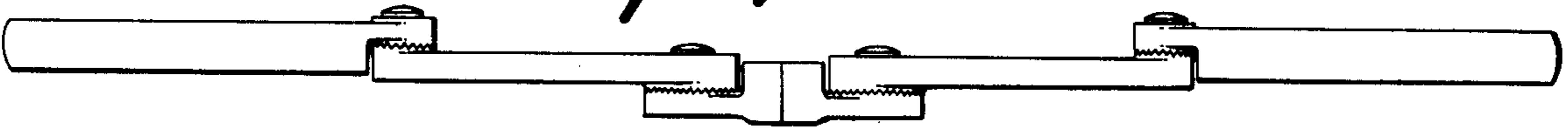


FIG-3

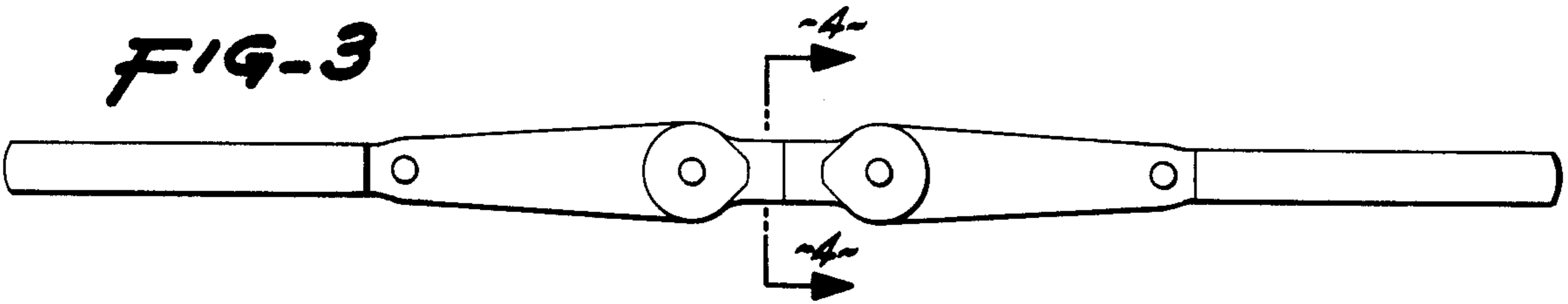


FIG-4



FIG-5

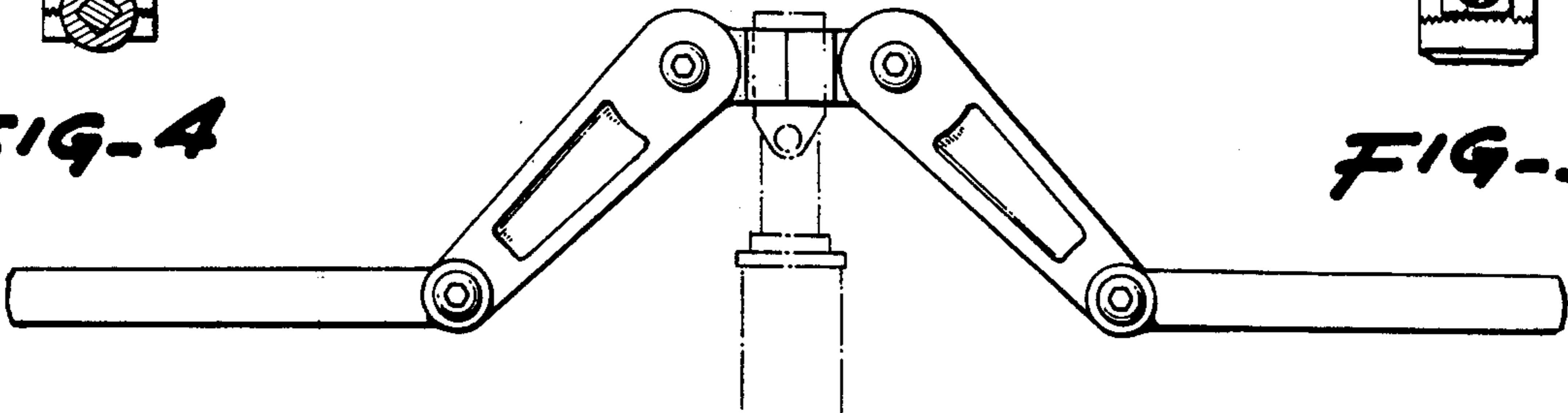
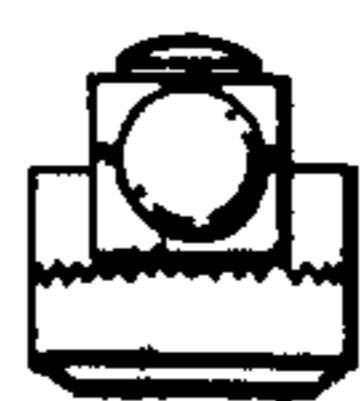


FIG-6

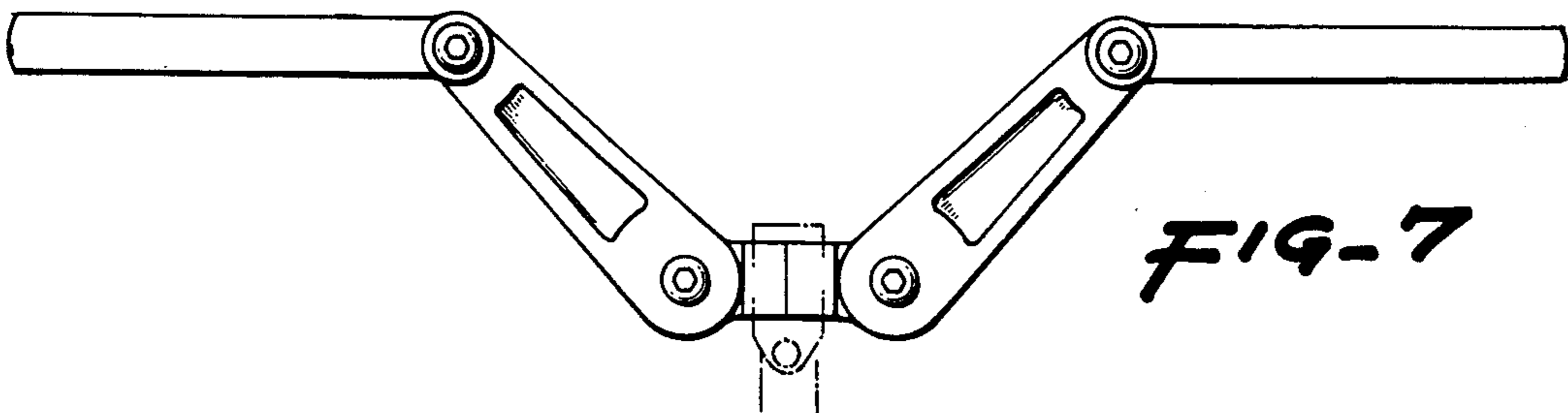


FIG-7