

[54] PHYSICAL THERAPY CUSHION

[56]

References Cited

U.S. PATENT DOCUMENTS

[76] Inventor: James N. Woog, 11572 65th Place North, Maple Grove, Minn. 55369

D. 137,638 4/1944 Spiro, Jr. D6/201 X
3,279,849 10/1966 Radke et al. D6/201 X

[**] Term: 14 Years

Primary Examiner—Bruce W. Dunkins
Attorney, Agent, or Firm—Paul L. Sjoquist

[21] Appl. No.: 612,706

[57] CLAIM

The ornamental design for a physical therapy cushion, substantially as shown and described.

[22] Filed: Sept. 12, 1975

DESCRIPTION

[51] Int. Cl. D6—09

FIG. 1 is an isometric view of a cushion showing my design;

[52] U.S. Cl. D6/201

FIG. 2 is an end view;

[58] Field of Search D6/200-203;

FIG. 3 is a right side view, the left side view thereof being a mirror image of the right side view;

5/345 R, 353.1, 355-357

FIG. 4 is a second end view; and

FIG. 5 is a bottom view.

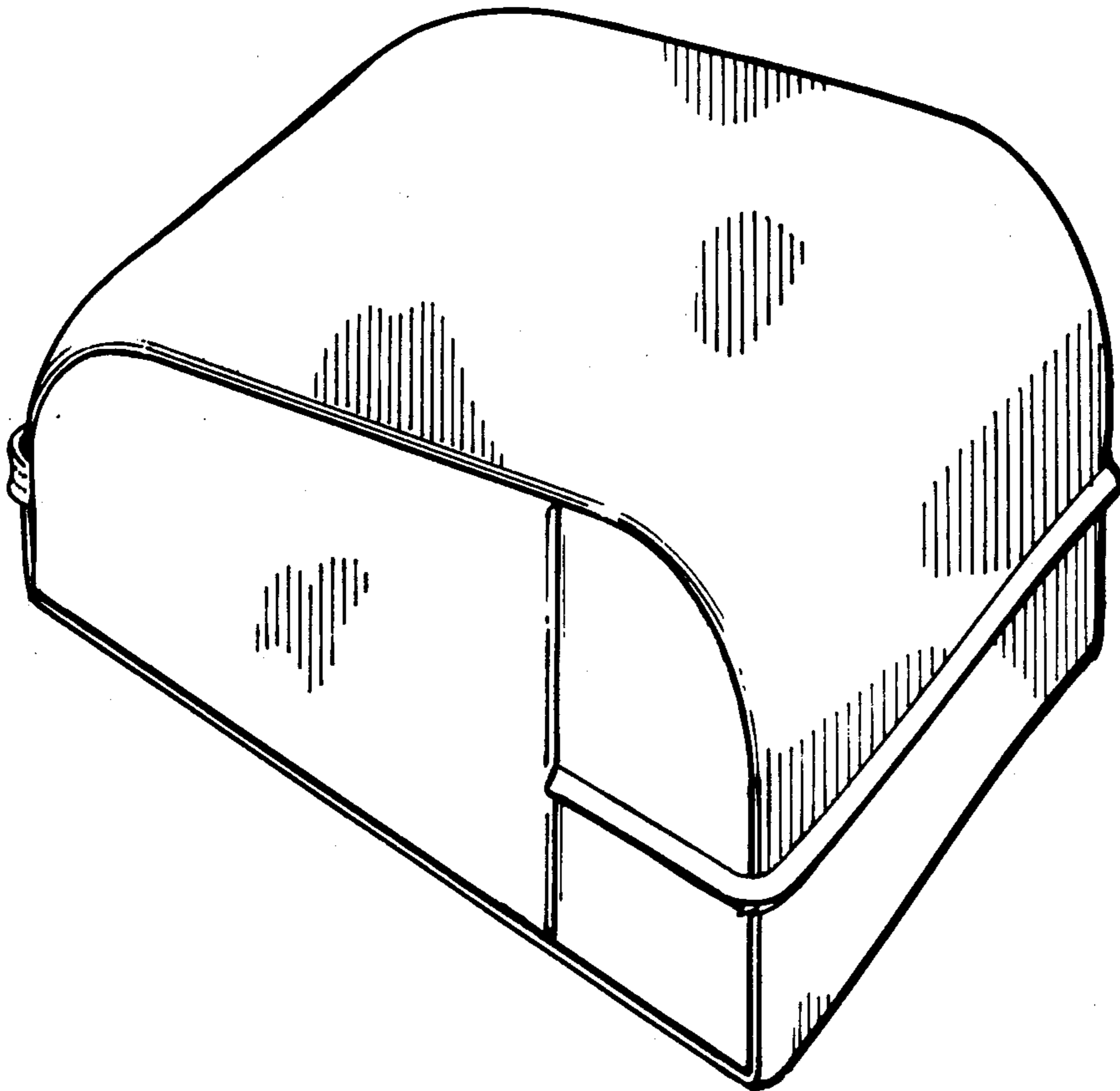


FIG. 1

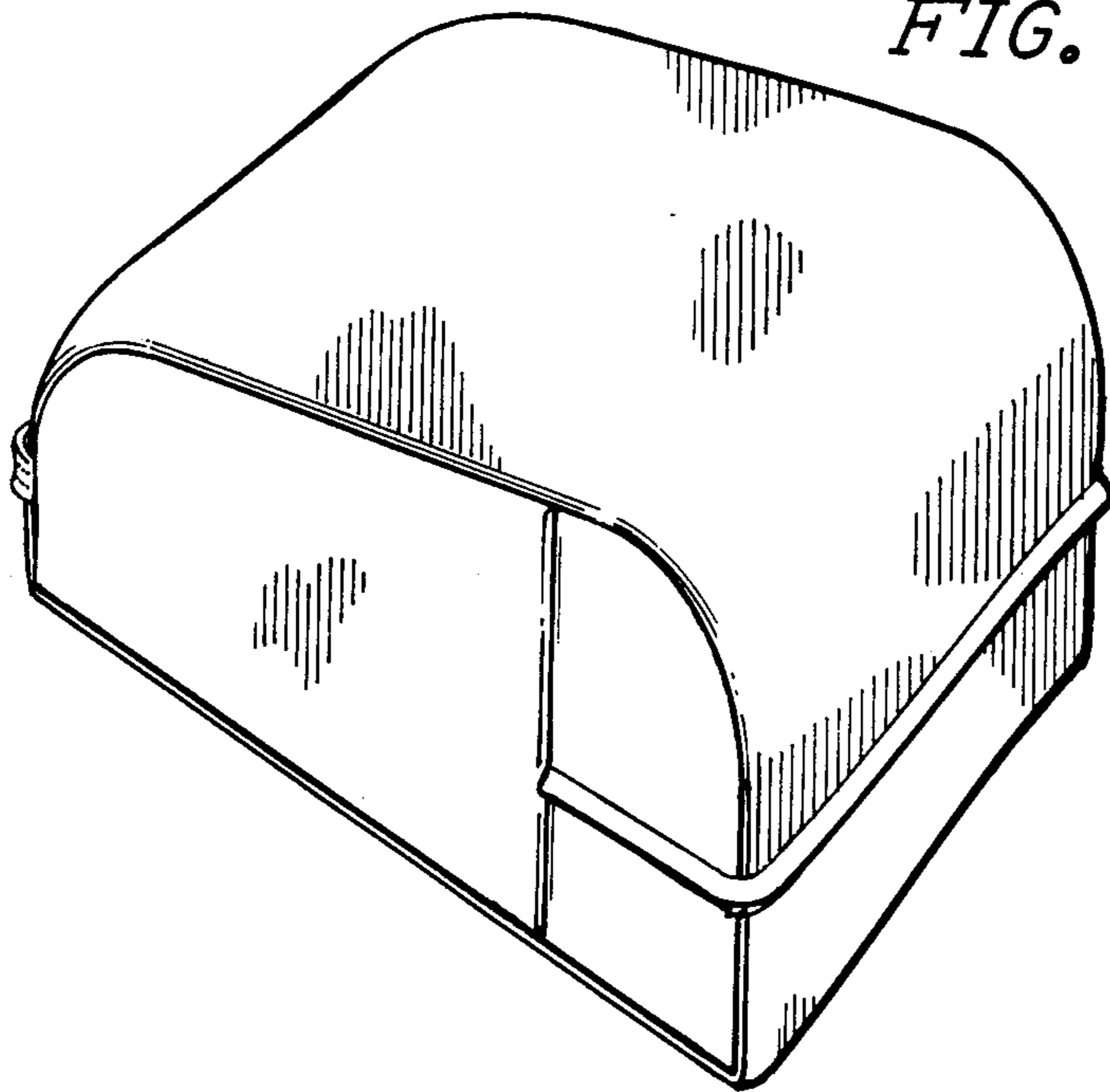


FIG. 2

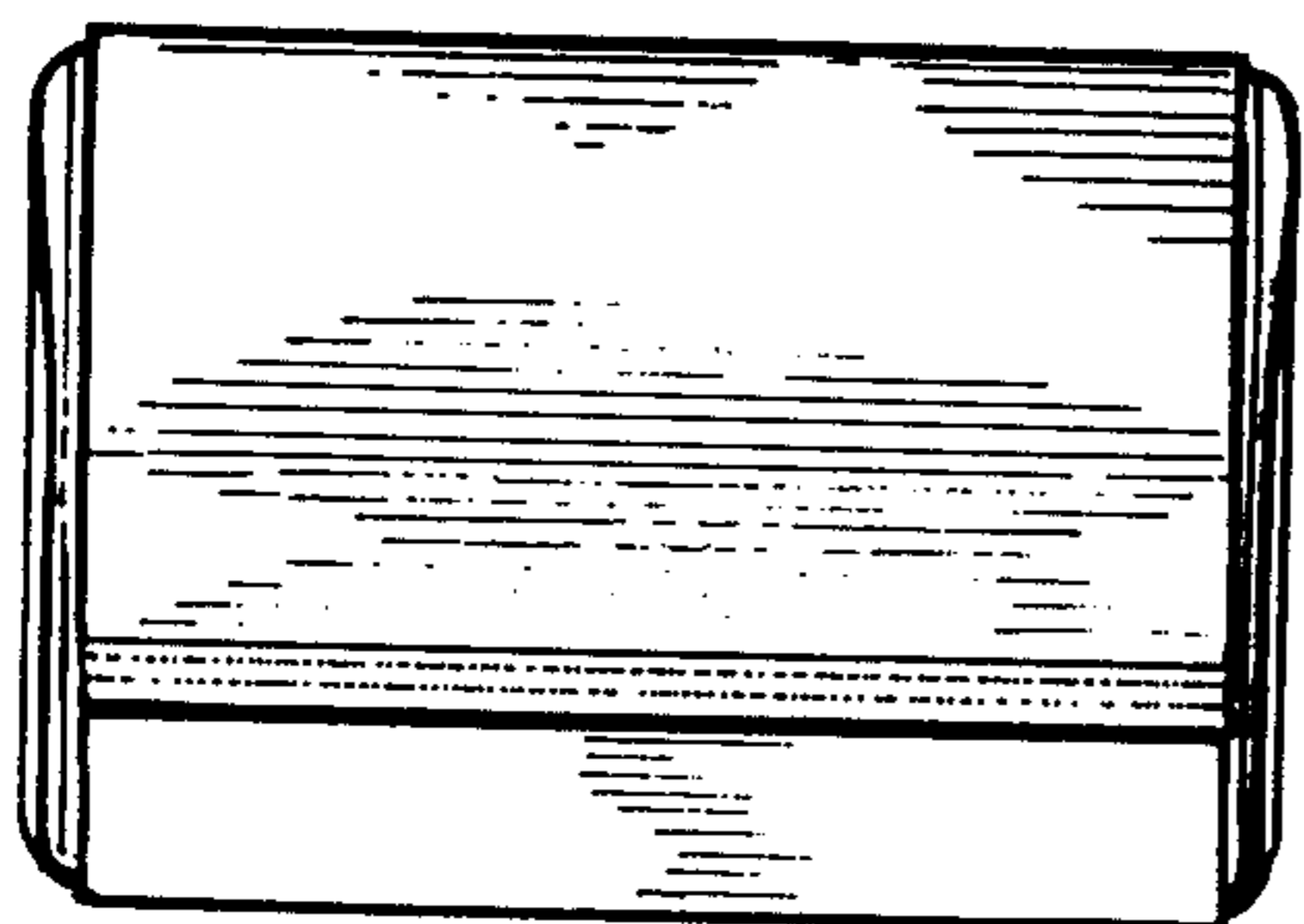


FIG. 3

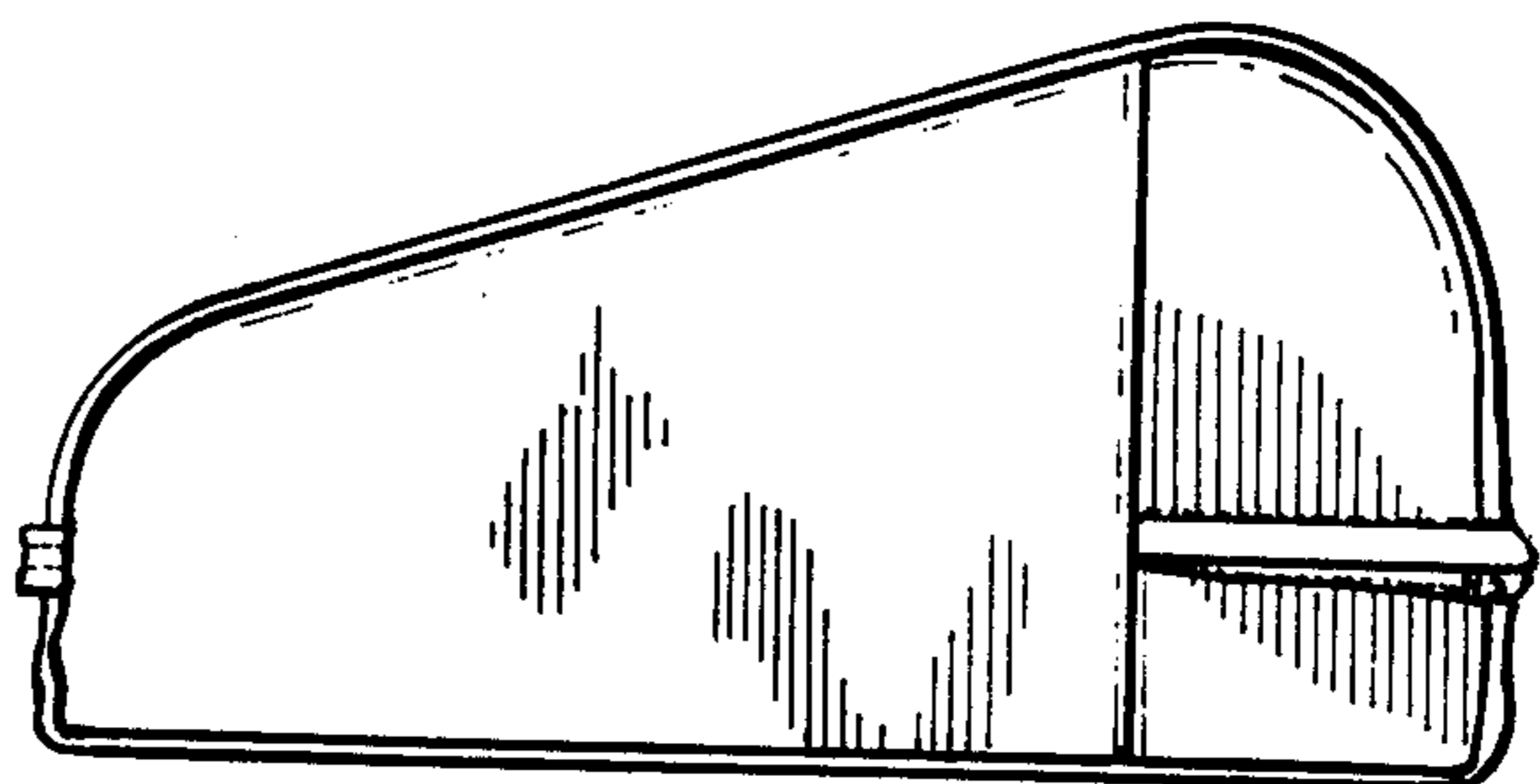


FIG. 4

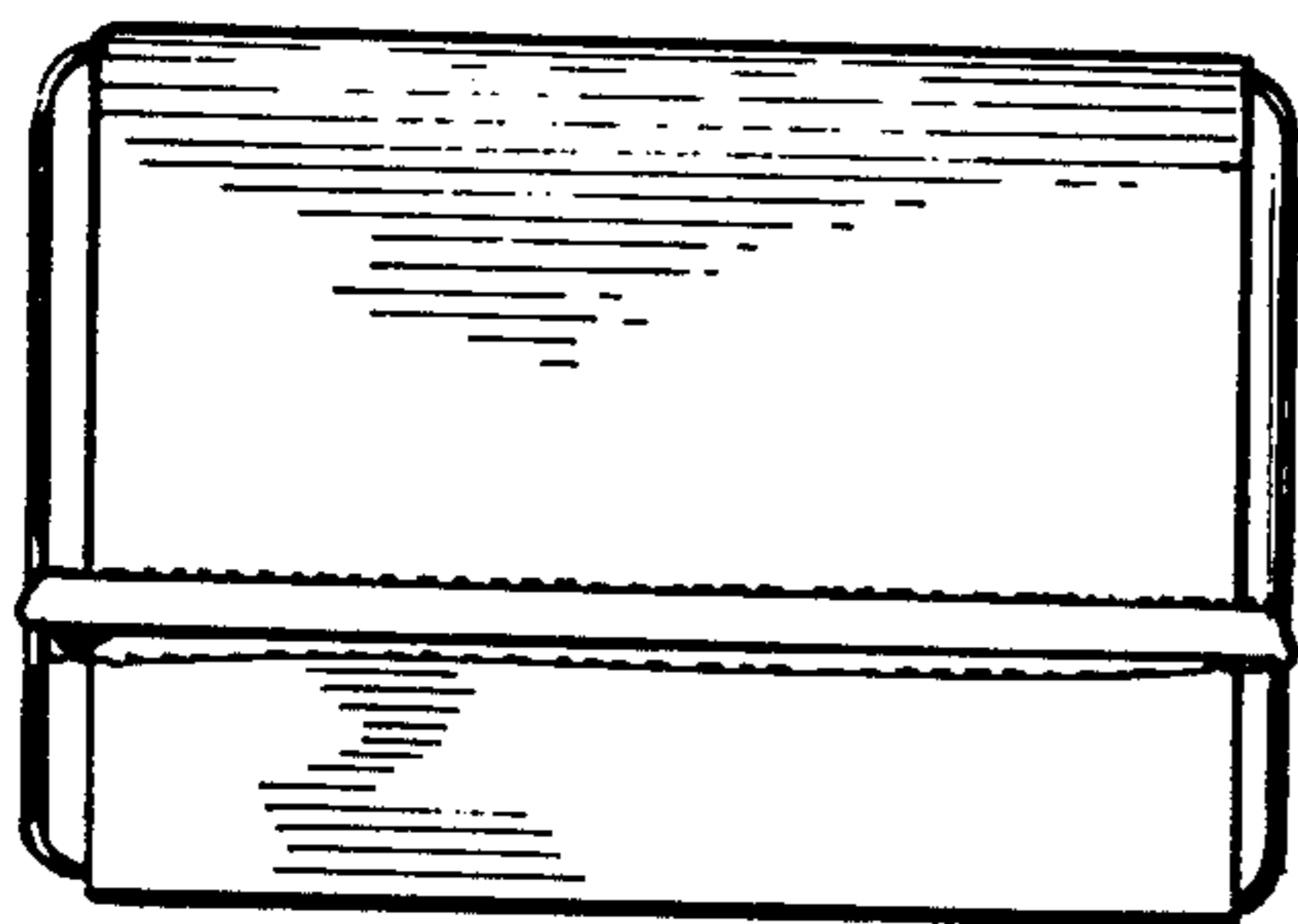


FIG. 5

