

[54] GARMENT HOOK

[76] Inventor: William Doyle Watt, Jr., 2820 Leelanau Drive, NE., Grand Rapids, Mich. 49505

[\*\*] Term: 14 Years

[21] Appl. No.: 658,505

[22] Filed: Feb. 17, 1976

[51] Int. Cl. .... D6-06

[52] U.S. Cl. .... D6/122

[58] Field of Search ..... D6/114, 120, 122; D8/367, 372, 363; 24/230.5 R; 248/304

[56] References Cited

U.S. PATENT DOCUMENTS

D. 65,730	10/1924	Garreffa	.....	D8/363
213,260	3/1879	Stow	.....	248/304
D. 222,766	12/1971	Clayton et al.	.....	D8/372
465,259	12/1891	Glover	.....	248/304
1,799,602	4/1931	North et al.	.....	248/304
3,037,733	6/1962	Roman	.....	D6/120

FOREIGN PATENT DOCUMENTS

8,233 of	1894	United Kingdom	.....	248/304
----------	------	----------------	-------	---------

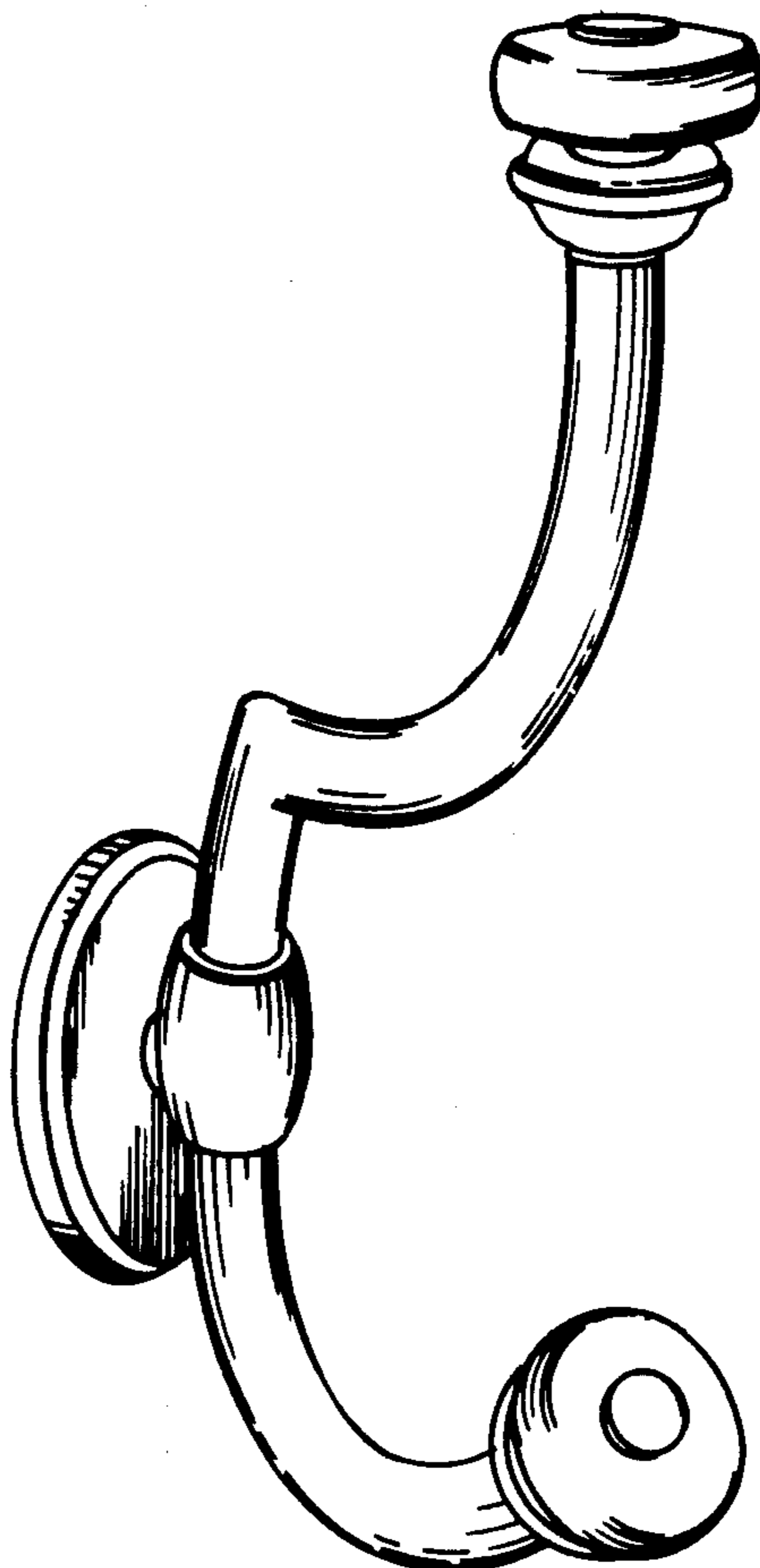
Primary Examiner—Wallace R. Burke  
Assistant Examiner—B. J. Bullock  
Attorney, Agent, or Firm—Peter R. Price

[57] CLAIM

The ornamental design for a garment hook, substantially as shown and described.

DESCRIPTION

FIG. 1 is a perspective view of a garment hook showing my new design;  
 FIG. 2 is a side elevational view of FIG. 1;  
 FIG. 3 is a front elevational view of FIG. 1;  
 FIG. 4 is a rear elevational view of FIG. 1;  
 FIG. 5 is a sectional view taken on line V—V of FIG. 2;  
 FIG. 6 is a perspective view of a second embodiment of the design of FIG. 1;  
 FIG. 7 is a side elevational view of FIG. 6;  
 FIG. 8 is a front elevational view of FIG. 6;  
 FIG. 9 is a rear elevational view of FIG. 6;  
 FIG. 10 is a sectional view taken on line X—X of FIG. 7;  
 FIG. 11 is a fragmentary sectional view taken on line XI—XI of FIG. 7.



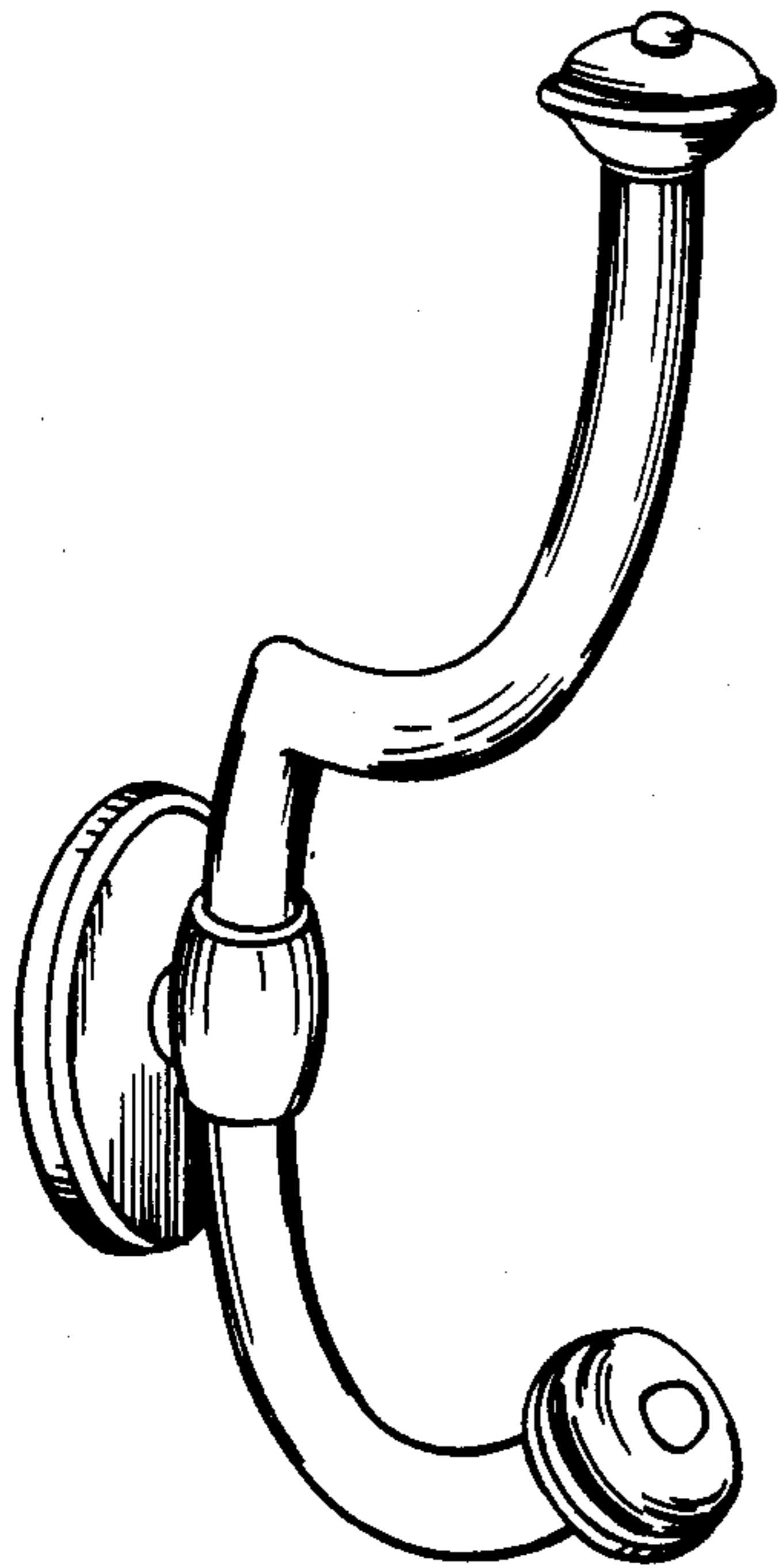


FIG. 1.

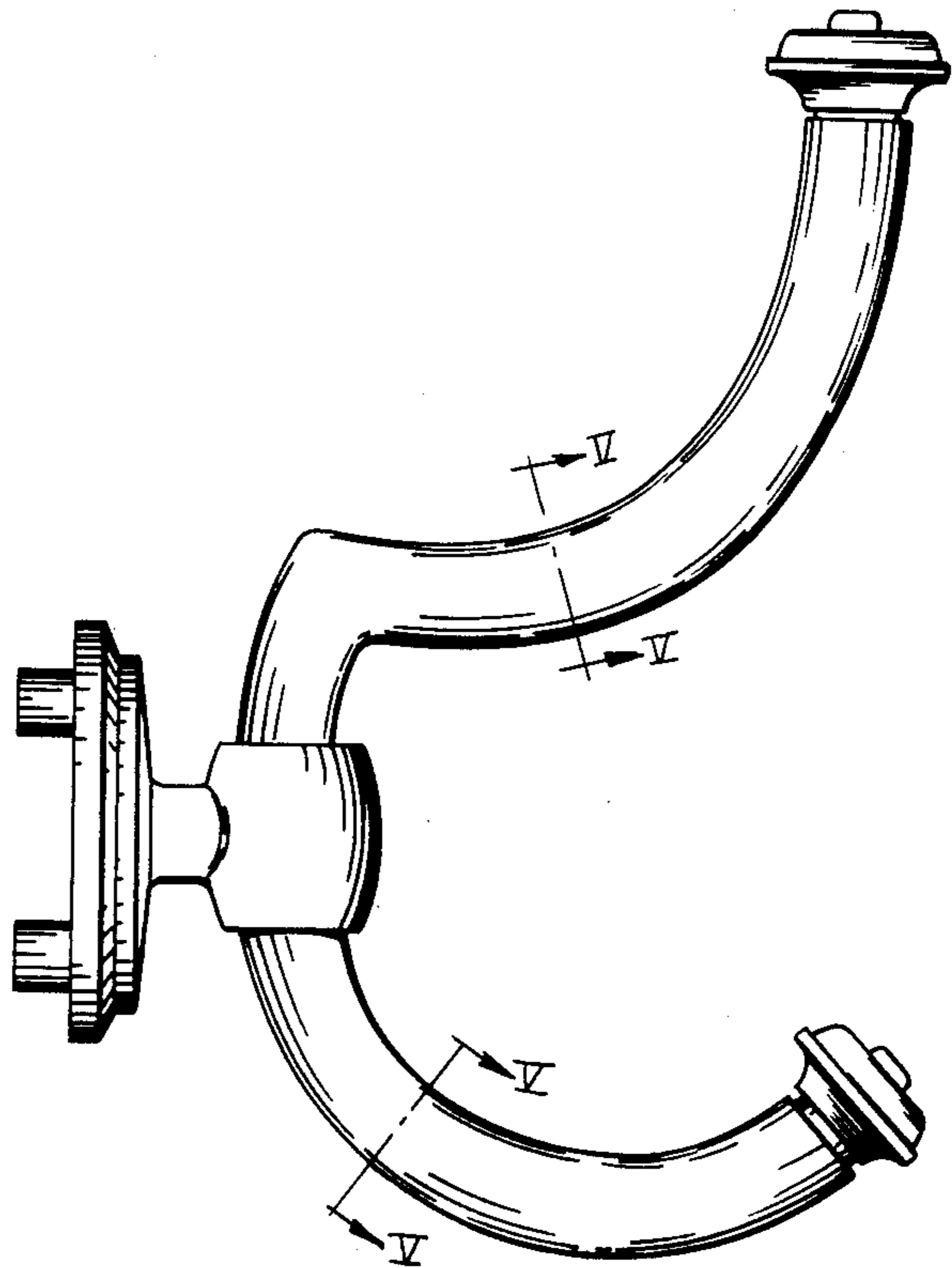


FIG. 2.

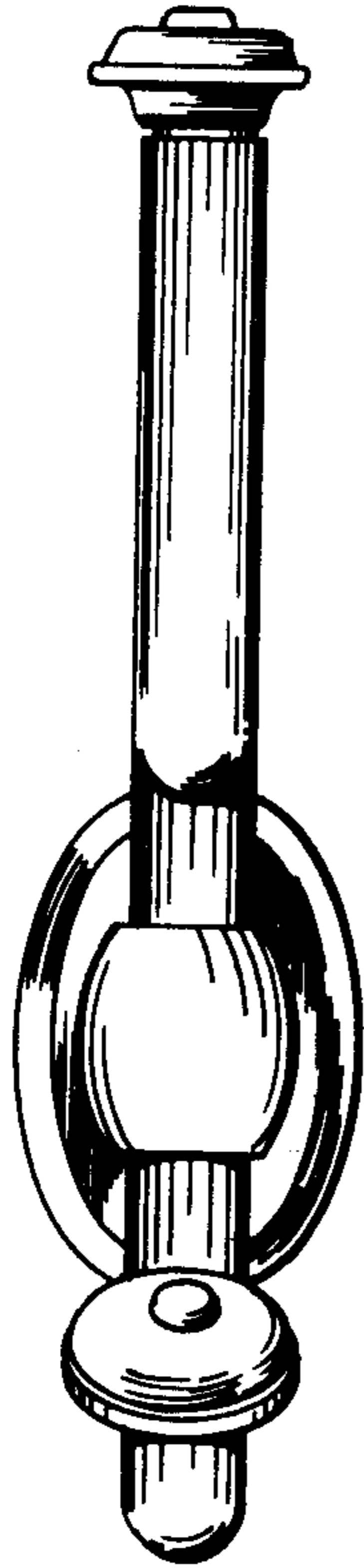


FIG. 3.

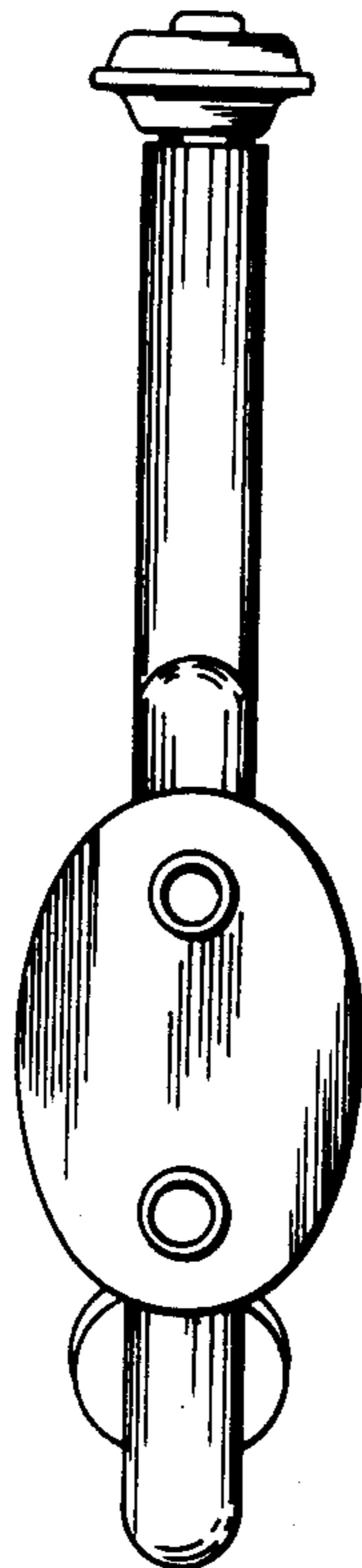


FIG. 4.



FIG. 5.

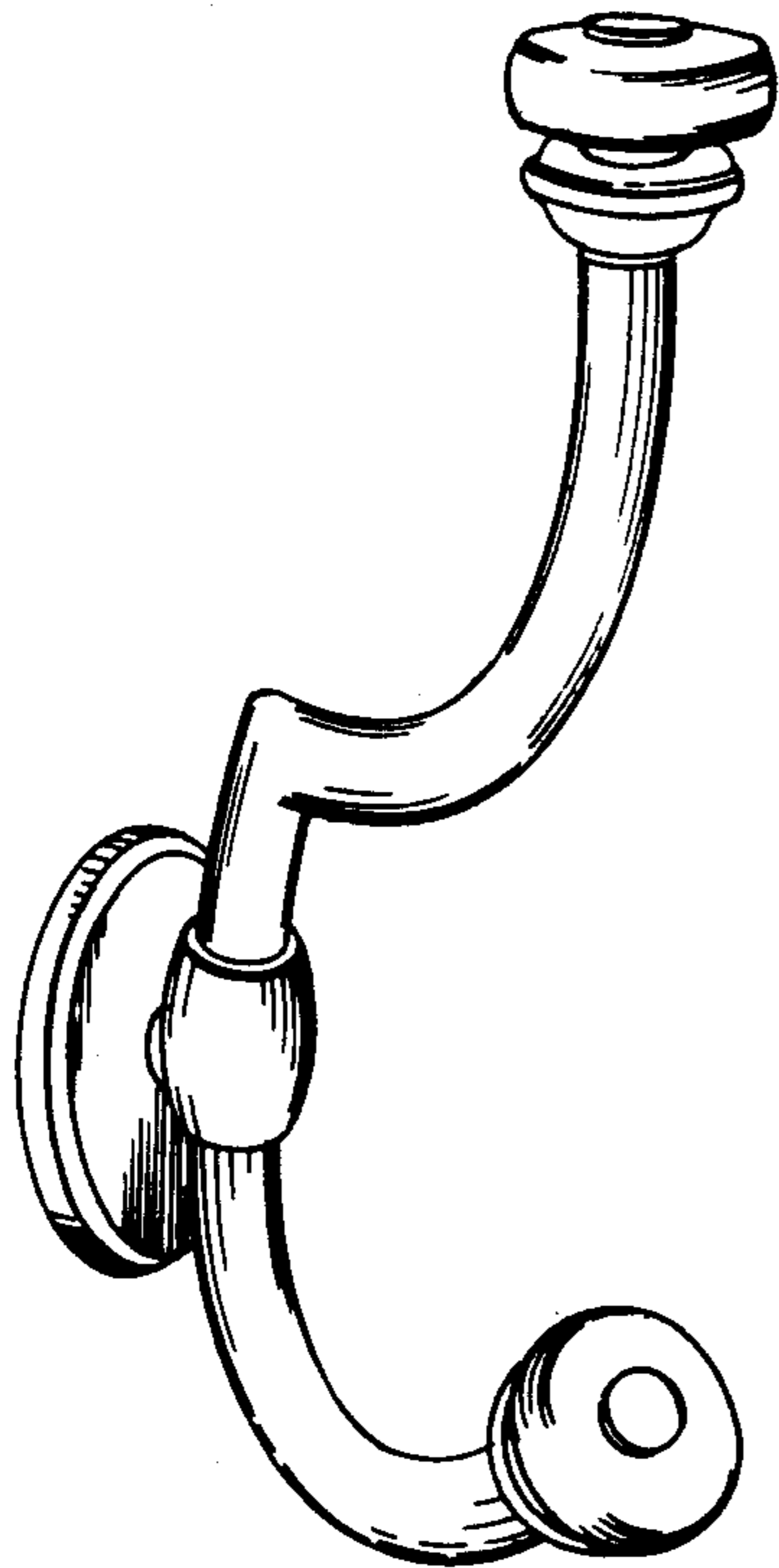


FIG. 6.

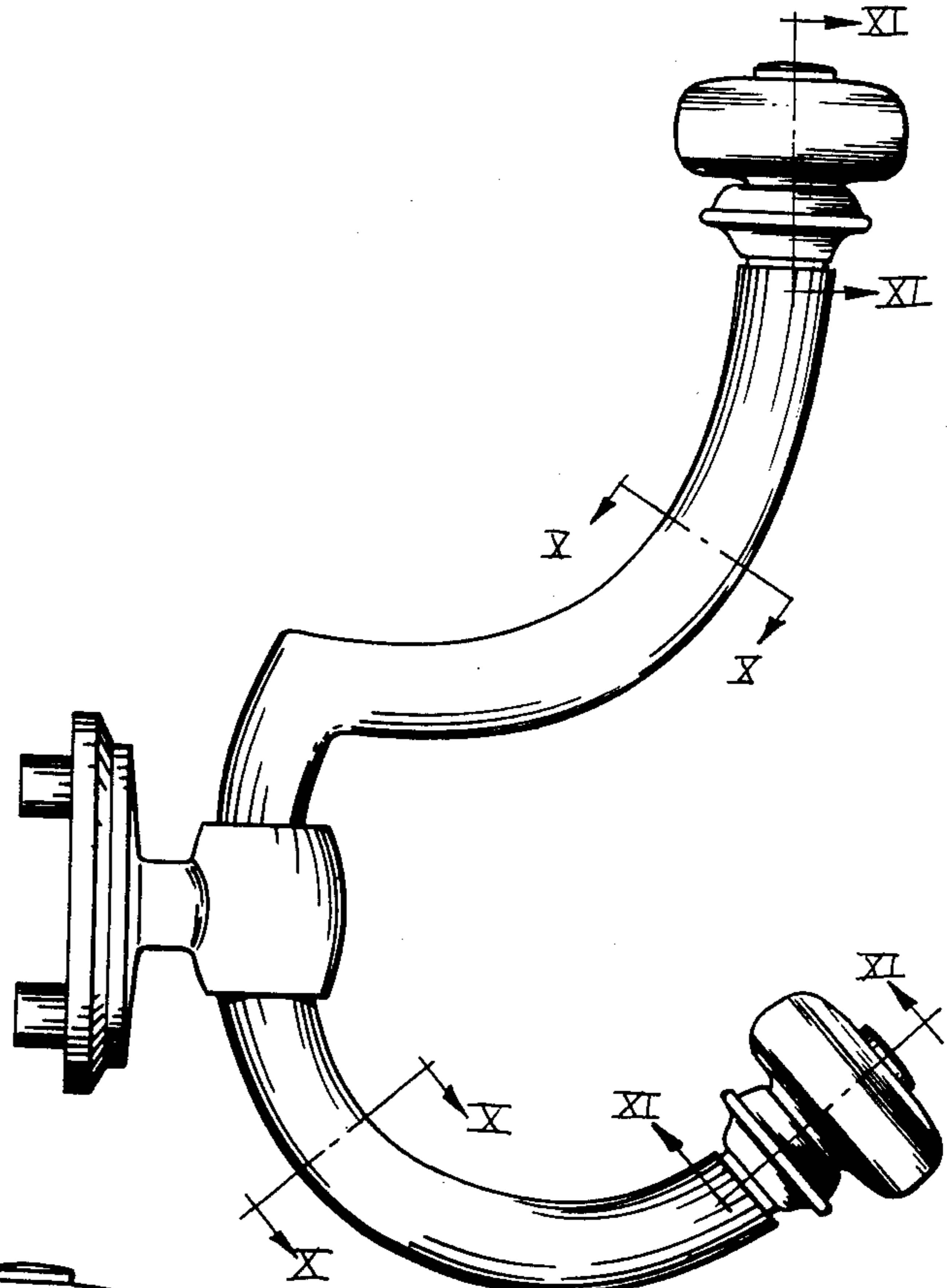


FIG. 7.

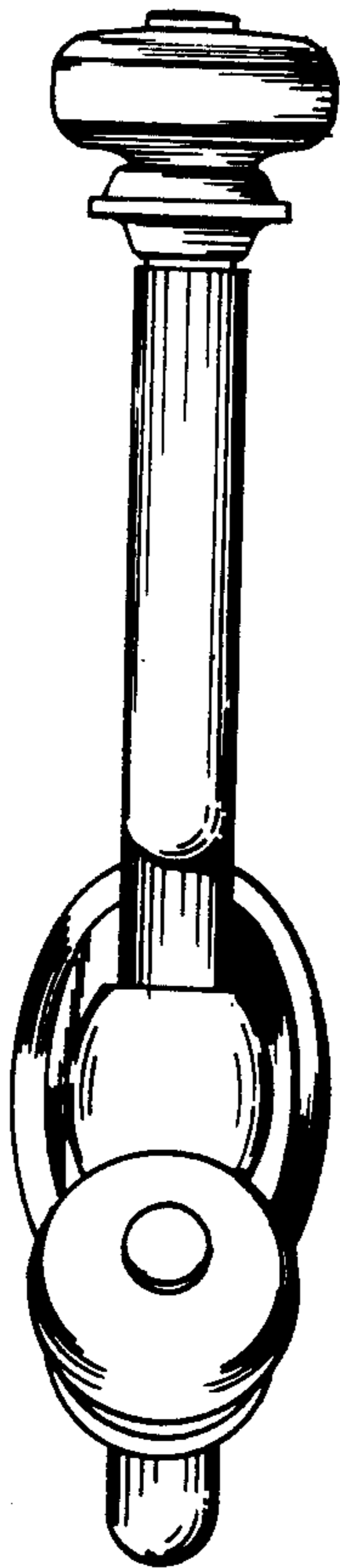


FIG. 8.

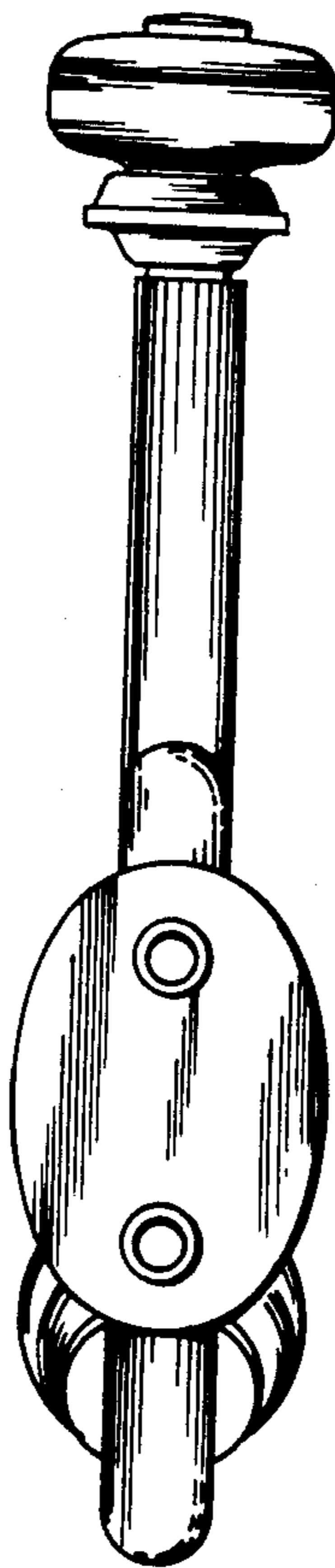


FIG. 9.



FIG. 10.

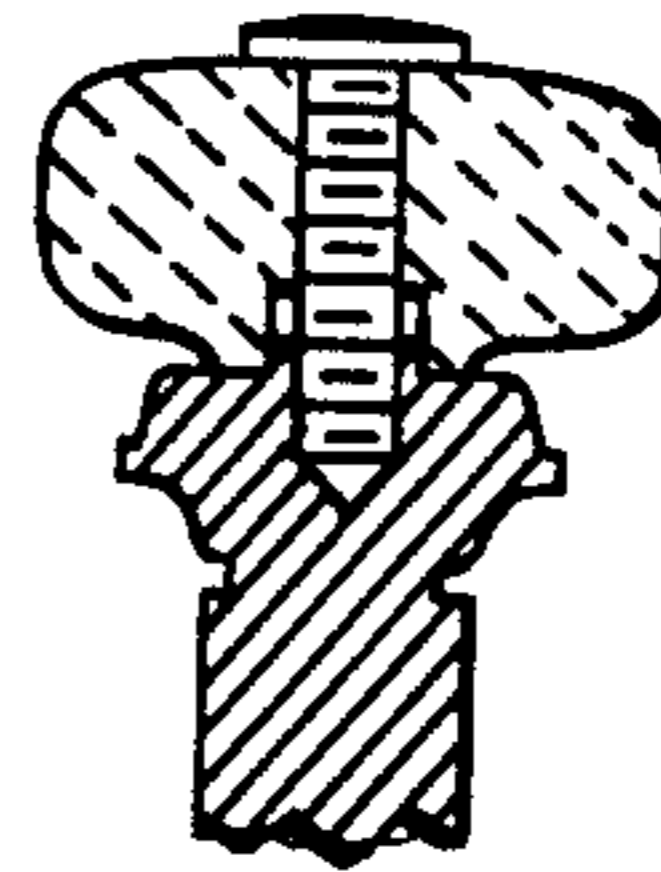


FIG. 11.