

[54] RACK FOR DISPLAYING AND STORING PACKAGED MERCHANDISE

1,698,318 1/1929 Norton D6/85
3,003,646 10/1961 Wolf 211/107

[75] Inventor: Walter Nathan, Glencoe, IL

Primary Examiner—Wallace R. Burke

[73] Assignee: RTC Industries, Inc., Chicago, Ill.

Assistant Examiner—B. J. Bullock

[**] Term: 14 Years

Attorney, Agent, or Firm—Max R. Kraus

[21] Appl. No.: 626,295

[57] CLAIM

[22] Filed: Oct. 28, 1975

The ornamental design for rack for displaying and storing packaged merchandise, as shown and described.

[51] Int. Cl. D20-02

DESCRIPTION

[52] U.S. Cl. D6/85

[58] Field of Search D6/85, 114, 115, 125, D6/130, 132, 134, 135, 136, 139; 211/107

FIG. 1 is a partially exploded top perspective view of a rack for displaying and storing packaged merchandise, showing by new design.

[56] References Cited

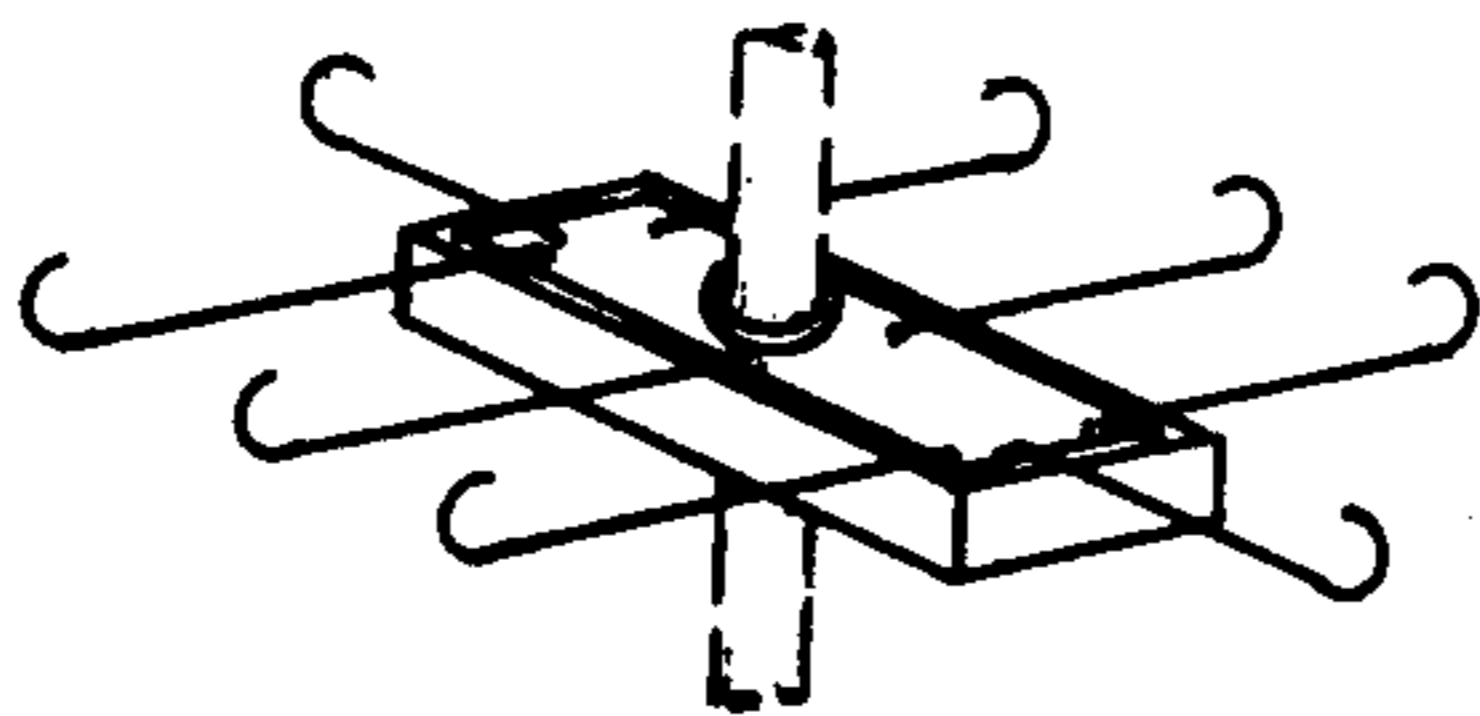
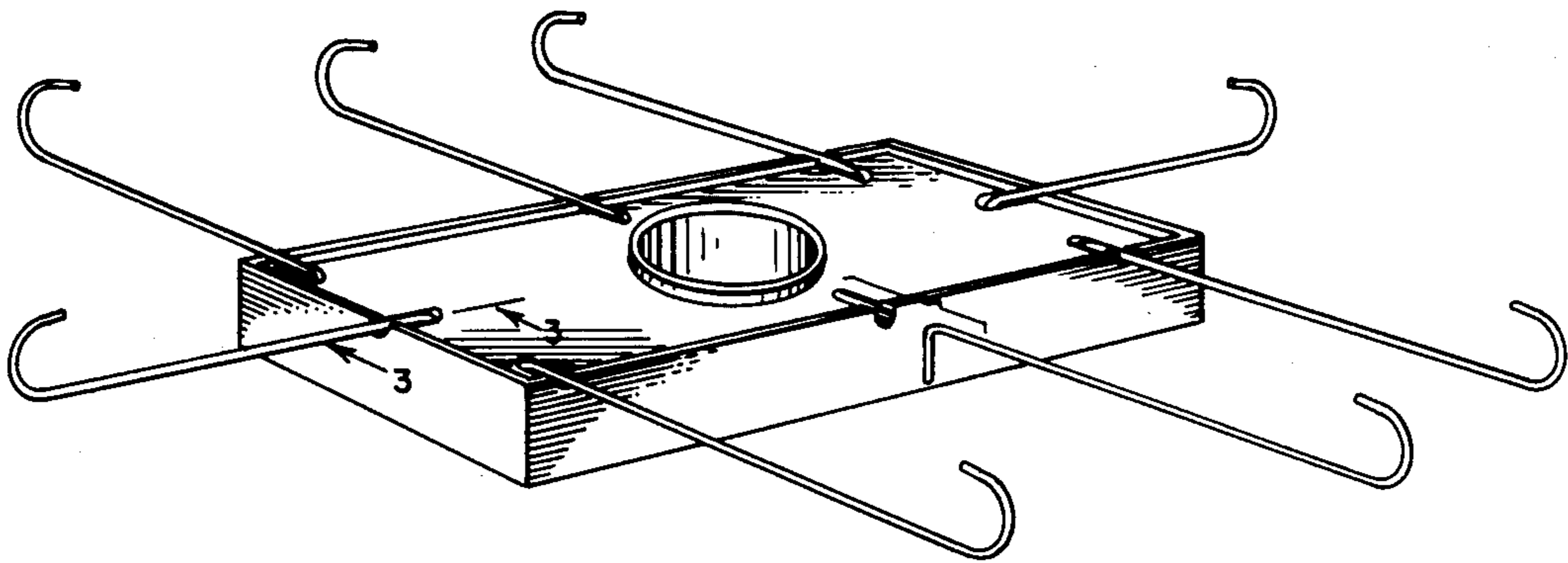
U.S. PATENT DOCUMENTS

475,149	5/1892	Pearson	211/107
560,447	5/1896	Voege	211/107
1,257,107	2/1918	Patterson	211/107

FIG. 2 is a bottom perspective view thereof.

FIG. 3 is a fragmentary sectional view taken on line 3-3 of FIG. 1, and,

FIG. 4 is a reduced perspective thereof, the portions of a pole being shown in broken lines for illustrative purposes only.



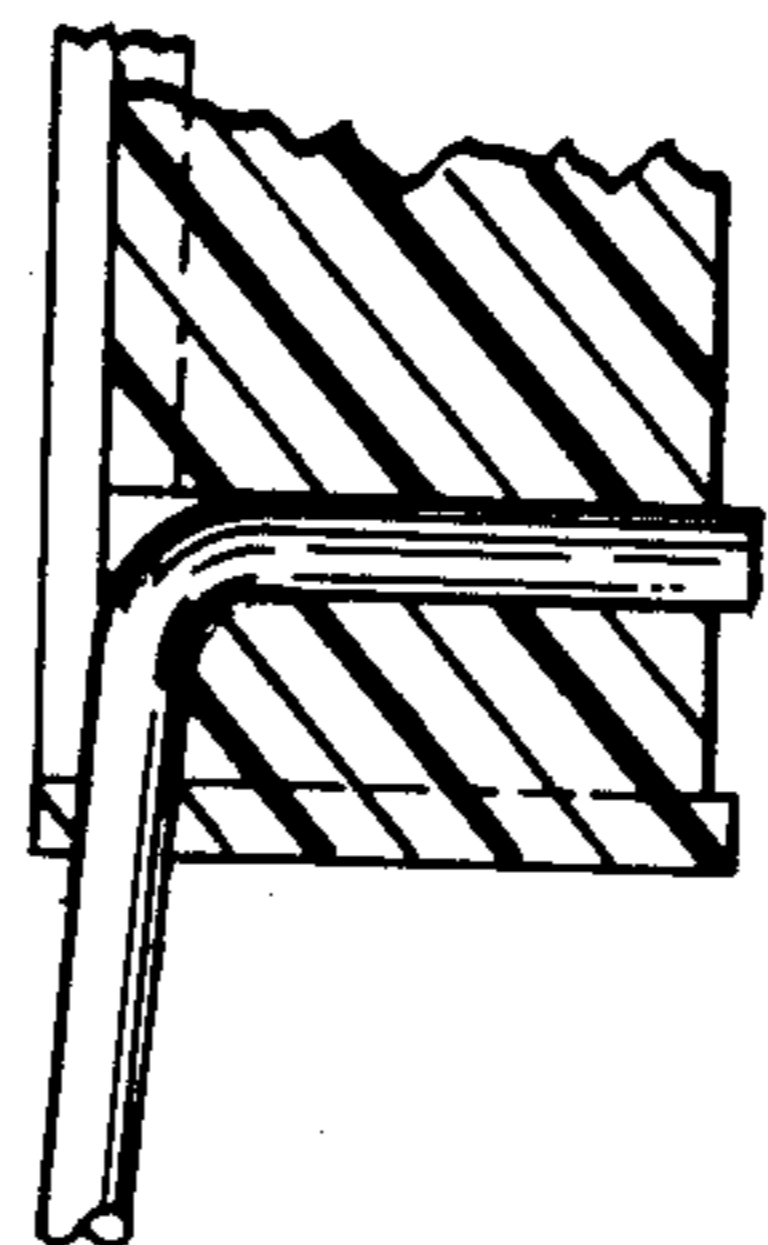
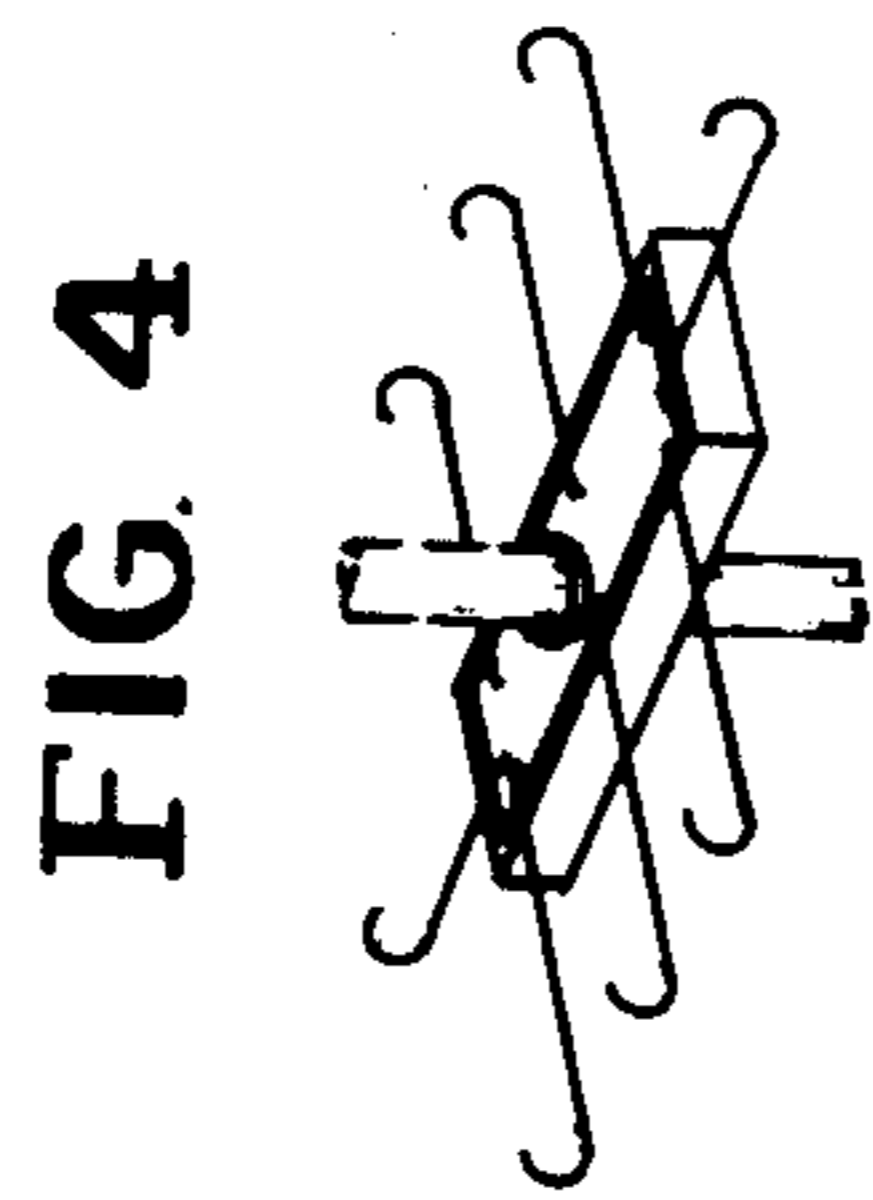
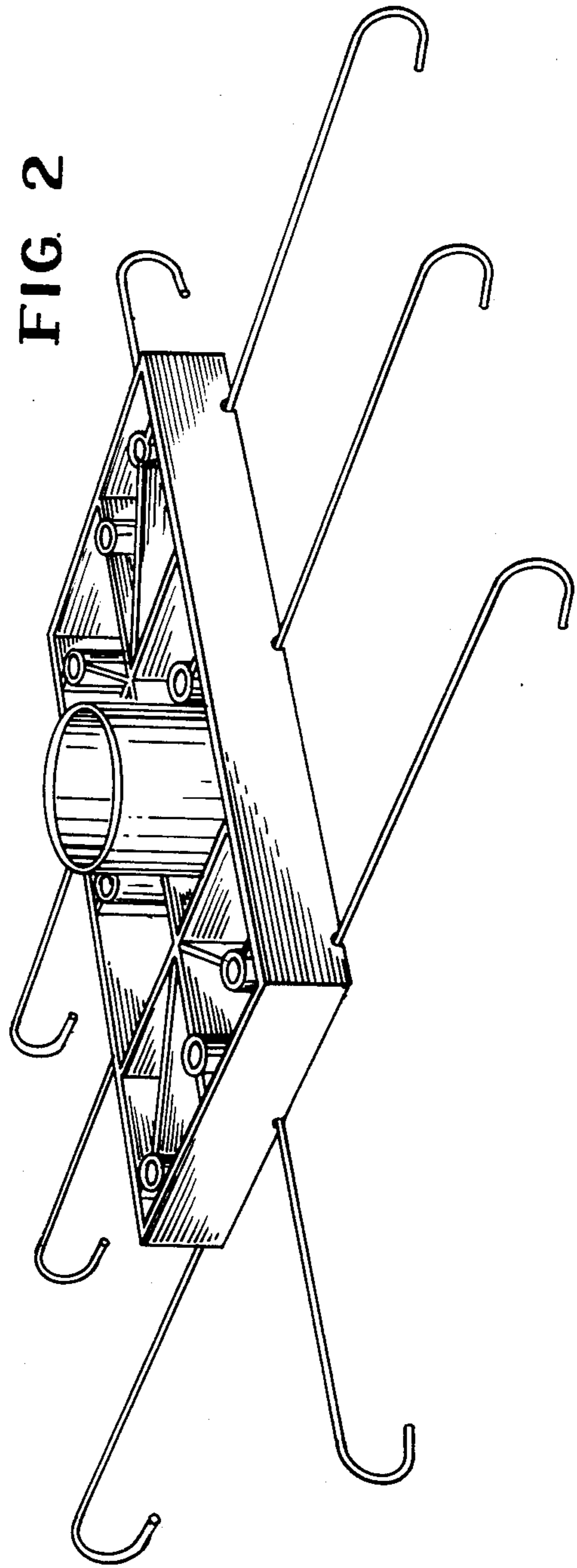
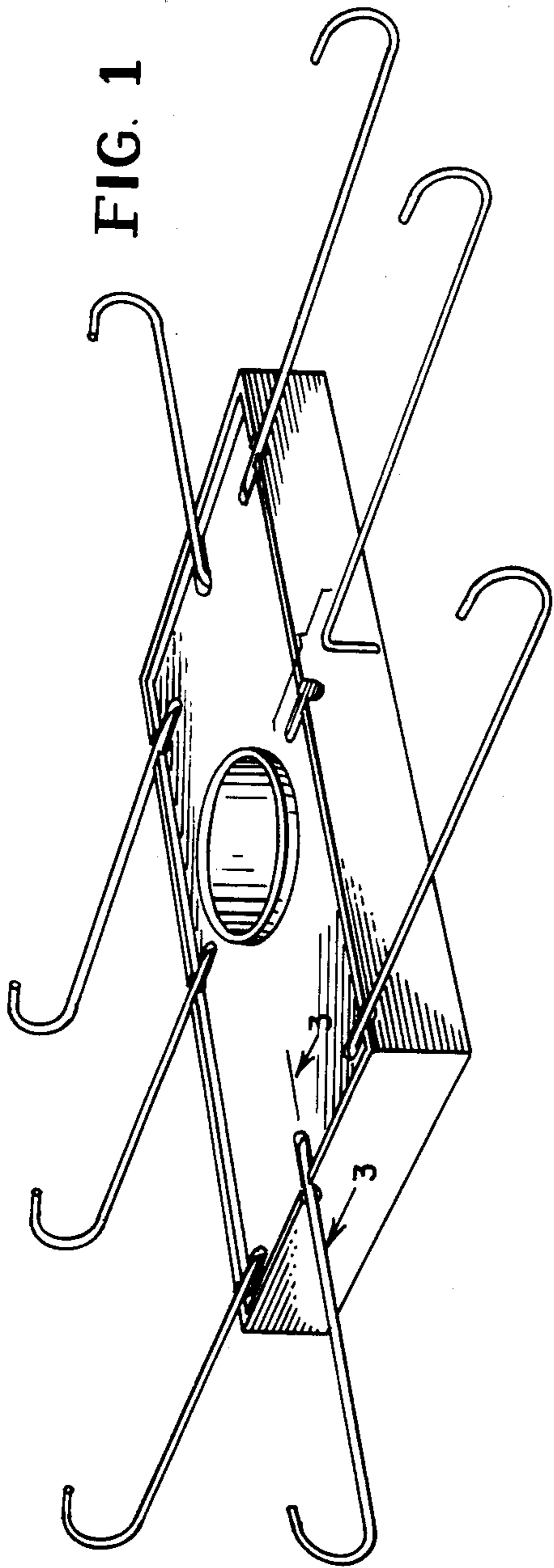


FIG. 4

FIG. 3