

[54] GASOLINE PUMP

[75] Inventor: Hans P. L. Geisler, Hamburg, Germany

[73] Assignee: Deutsche Texaco Aktiengesellschaft, Germany

[**] Term: 14 Years

[21] Appl. No.: 651,743

[22] Filed: Jan. 23, 1976

[51] Int. Cl. D20-02

[52] U.S. Cl. D52/2 A

[58] Field of Search 222/14, 173, 183, 184, 222/538; D52/2 R, 2 A

[56] References Cited

U.S. PATENT DOCUMENTS

D. 163,994 7/1951 Fairweather D52/2 A

D. 197,440	2/1964	Winger	D52/2 A X
D. 201,535	6/1965	Winger	D52/2 A
D. 237,822	11/1975	Gray	D52/2 A
D. 237,823	11/1975	Gray	D52/2 A
D. 238,895	2/1976	Albright	D52/2 A

Primary Examiner—Nelson C. Holtje
Attorney, Agent, or Firm—Thomas H. Whaley

[57] CLAIM

The ornamental design for gasoline pump, as shown and described.

DESCRIPTION

FIG. 1 is a front elevational view of a gasoline pump showing my new design, the rear being a mirror image thereto;

FIG. 2 is a left side elevational view thereof;

FIG. 3 is a right side elevational view thereof;

FIG. 4 is a top plan view thereof;

FIG. 5 is a bottom plan view thereof.

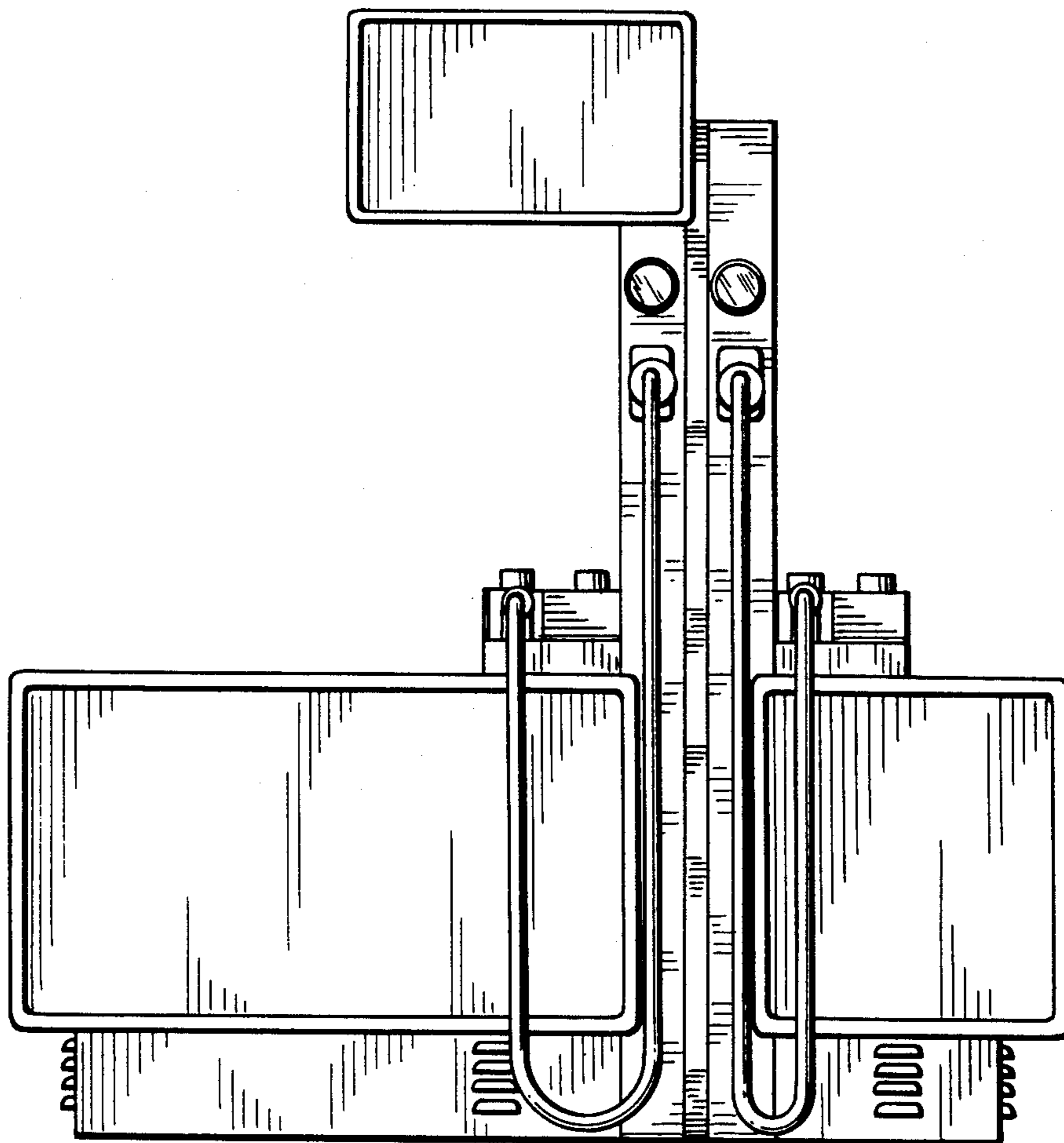


Fig. 1.

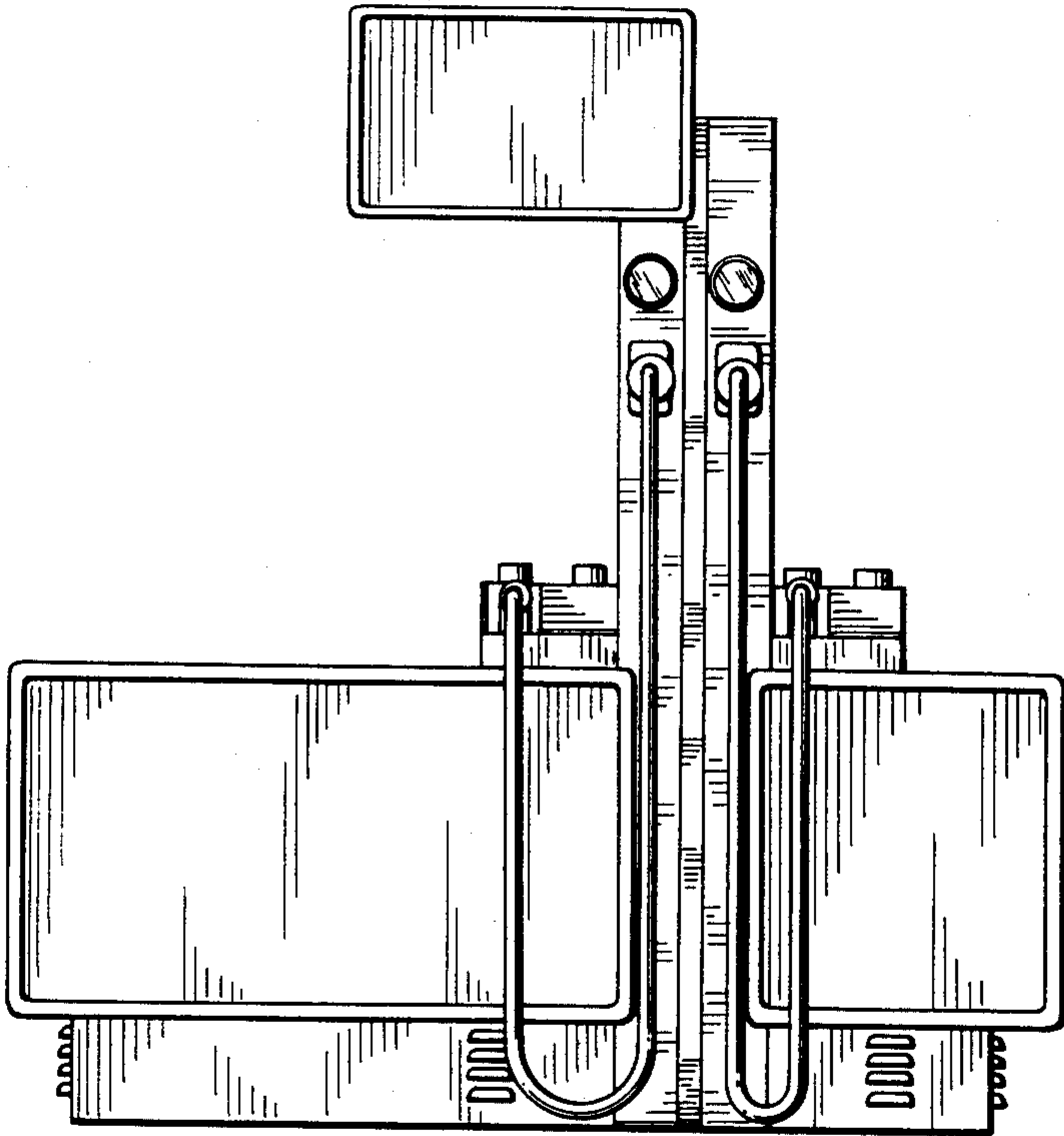


Fig. 2.

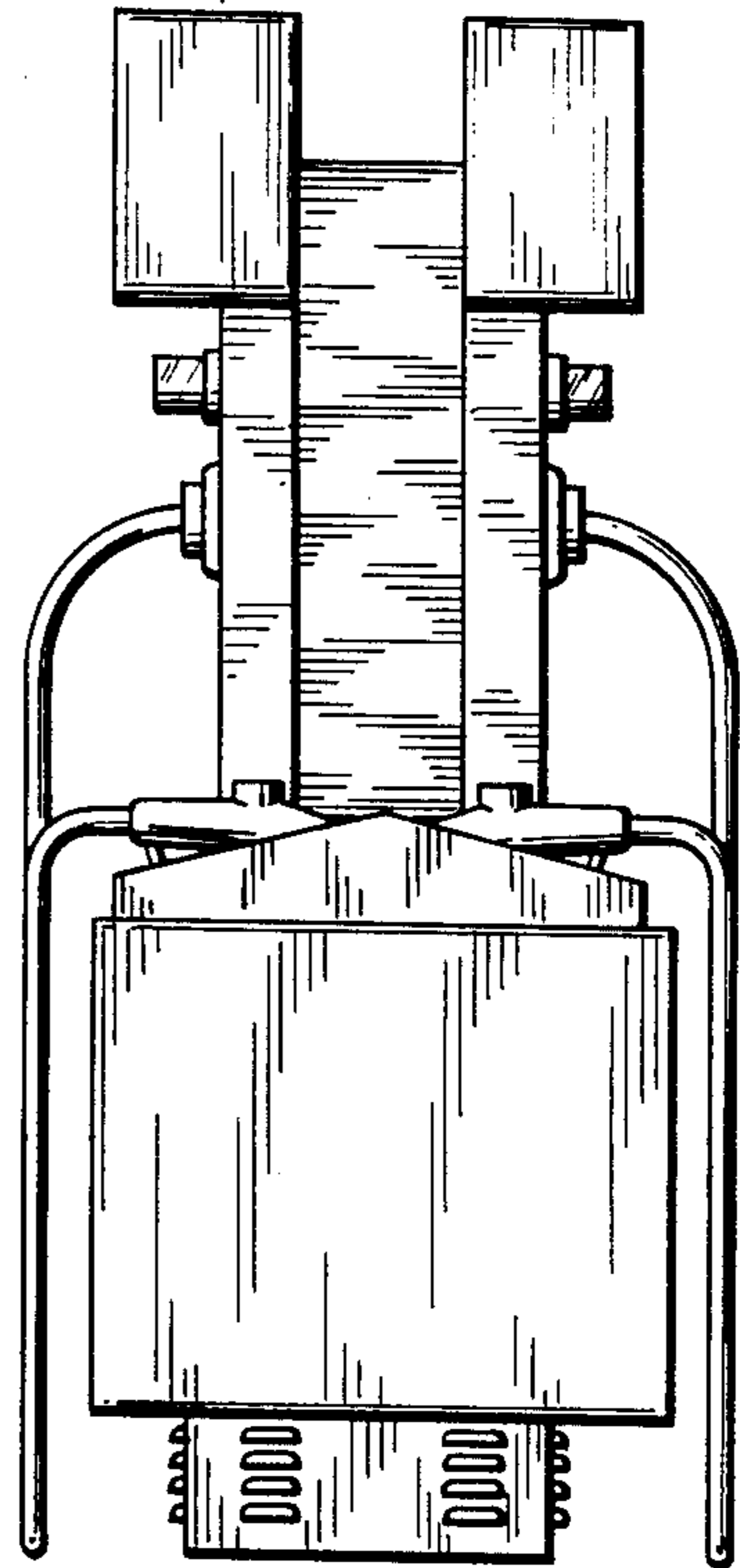


Fig. 4.

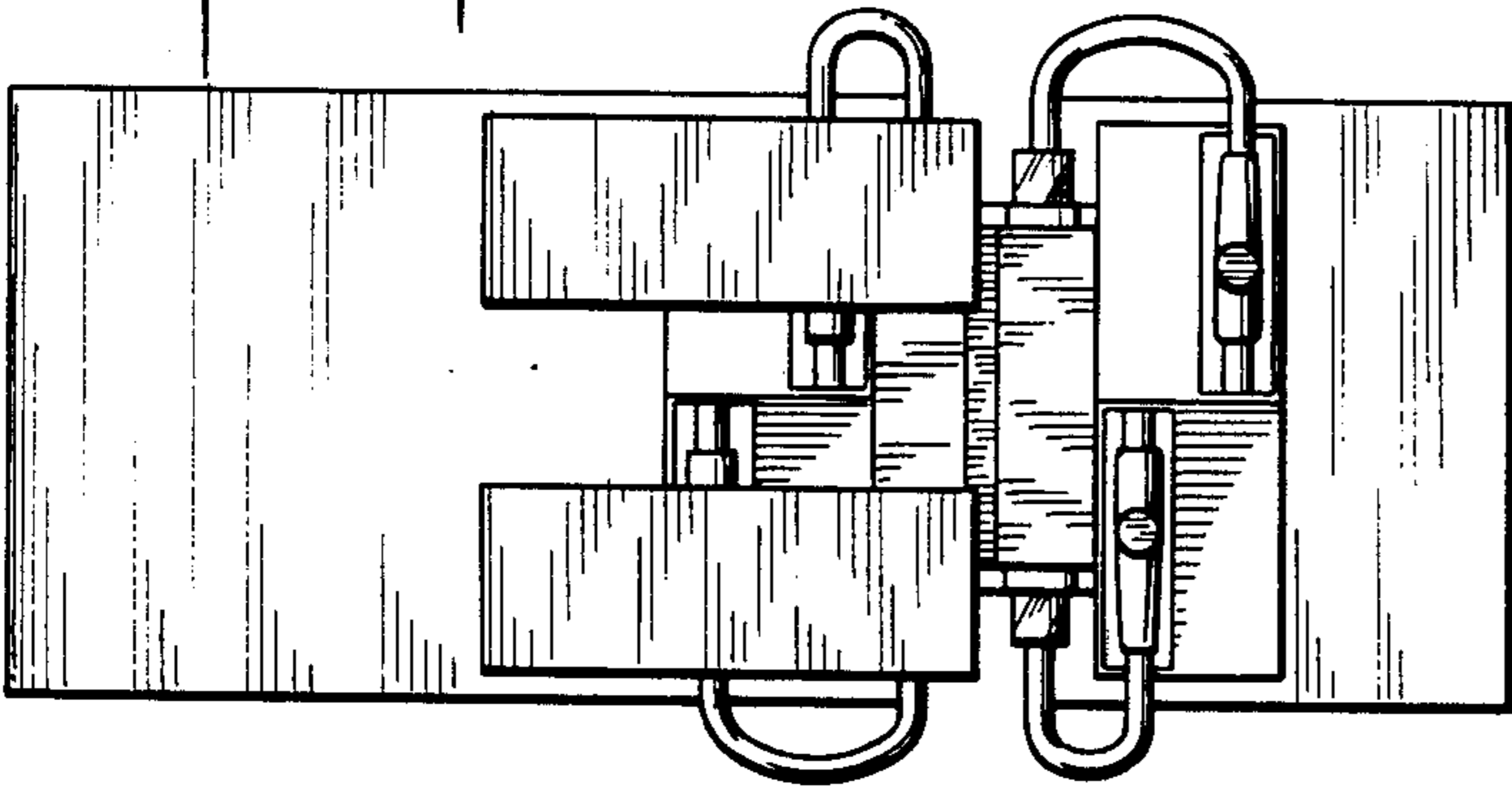


Fig. 3.

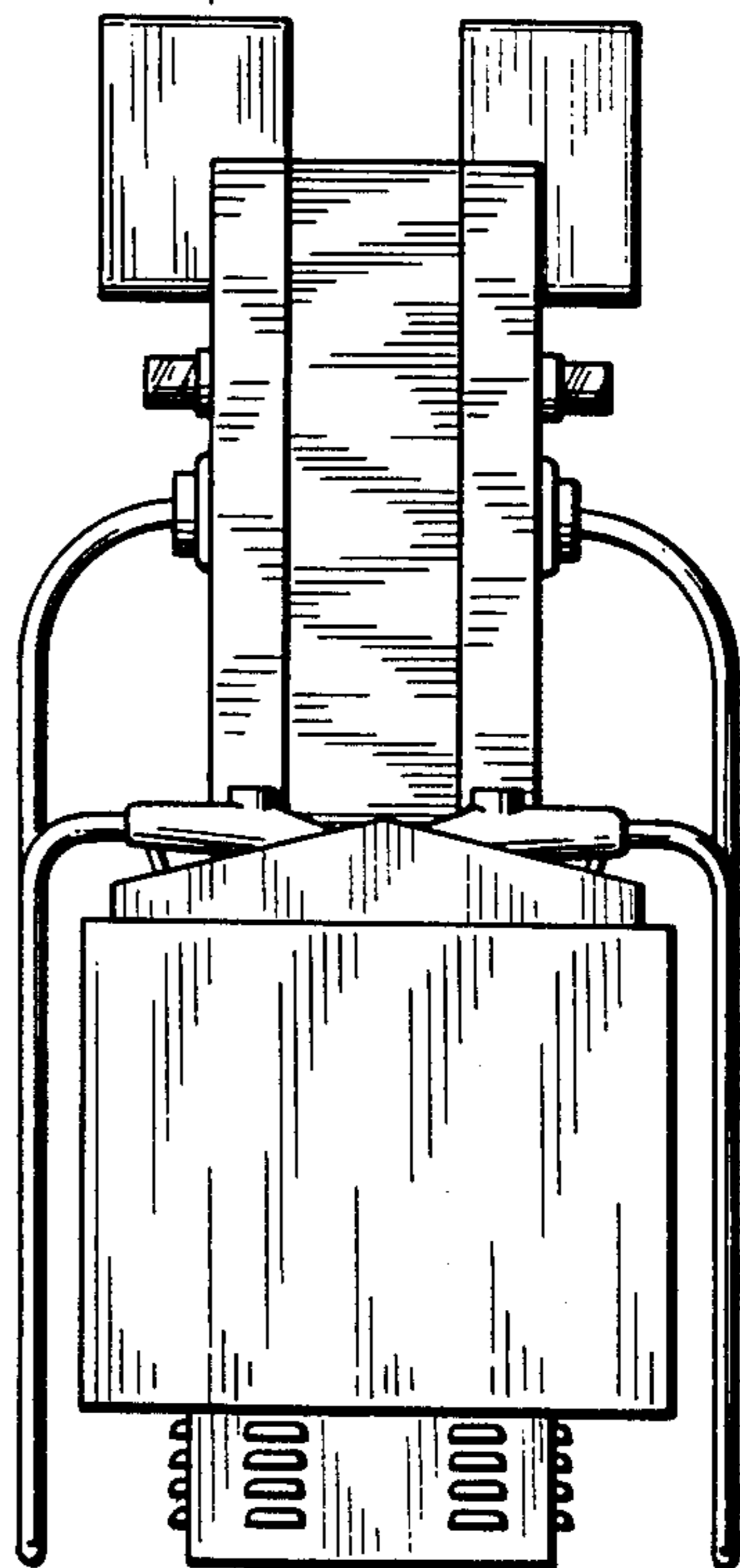


Fig. 5.

