

[54] CIGARETTE LIGHTER

[75] Inventor: Sadao Yoshinaga, Tokyo, Japan

[73] Assignee: Yoshinaga Prince Co., Ltd., Tokyo, Japan

[**] Term: 14 Years

[21] Appl. No.: 757,385

[22] Filed: Jan. 6, 1977

[51] Int. Cl. D27-05

[52] U.S. Cl. D27/42

[58] Field of Search D27/36, 39, 42; 431/124, 127-431, 254, 255; 219/267

[56] References Cited

U.S. PATENT DOCUMENTS

D. 226,730	4/1973	Goto	D27/36
D. 237,806	11/1975	Yoshinaga	D27/42
3,392,265	7/1968	King et al.	D27/42 X

Primary Examiner—Susan J. Lucas
Attorney, Agent, or Firm—Joseph Weingarten

[57] CLAIM

The ornamental design for a cigarette lighter, as shown.

DESCRIPTION

FIG. 1 is a front view of the cigarette lighter, showing my new design.

FIG. 2 is a left-hand side view of the cigarette lighter, showing my new design.

FIG. 3 is a right-hand side view of the cigarette lighter, showing my new design.

FIG. 4 is a top plan view of the cigarette lighter, showing my new design.

FIG. 5 is a bottom plan view of the cigarette lighter, showing my new design.

FIG. 6 is a rear view of the cigarette lighter, showing my new design.

FIG. 7 is a perspective view of the cigarette lighter, showing my new design.

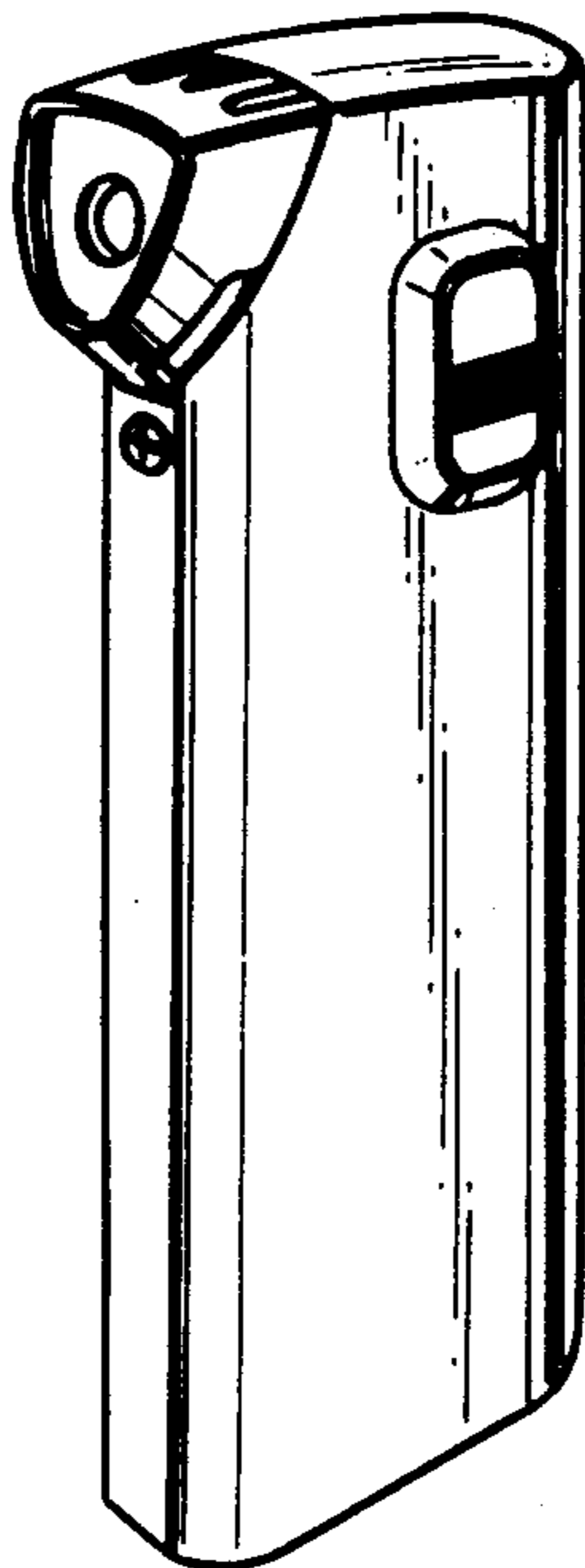


FIG.4

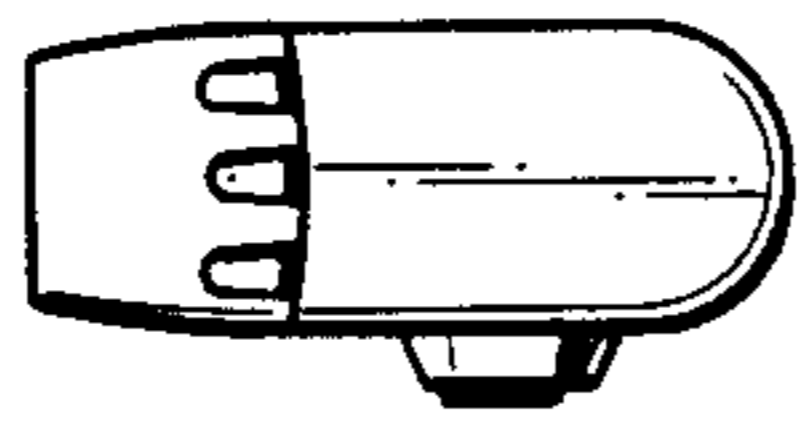


FIG.2 FIG.1 FIG.3 FIG.6

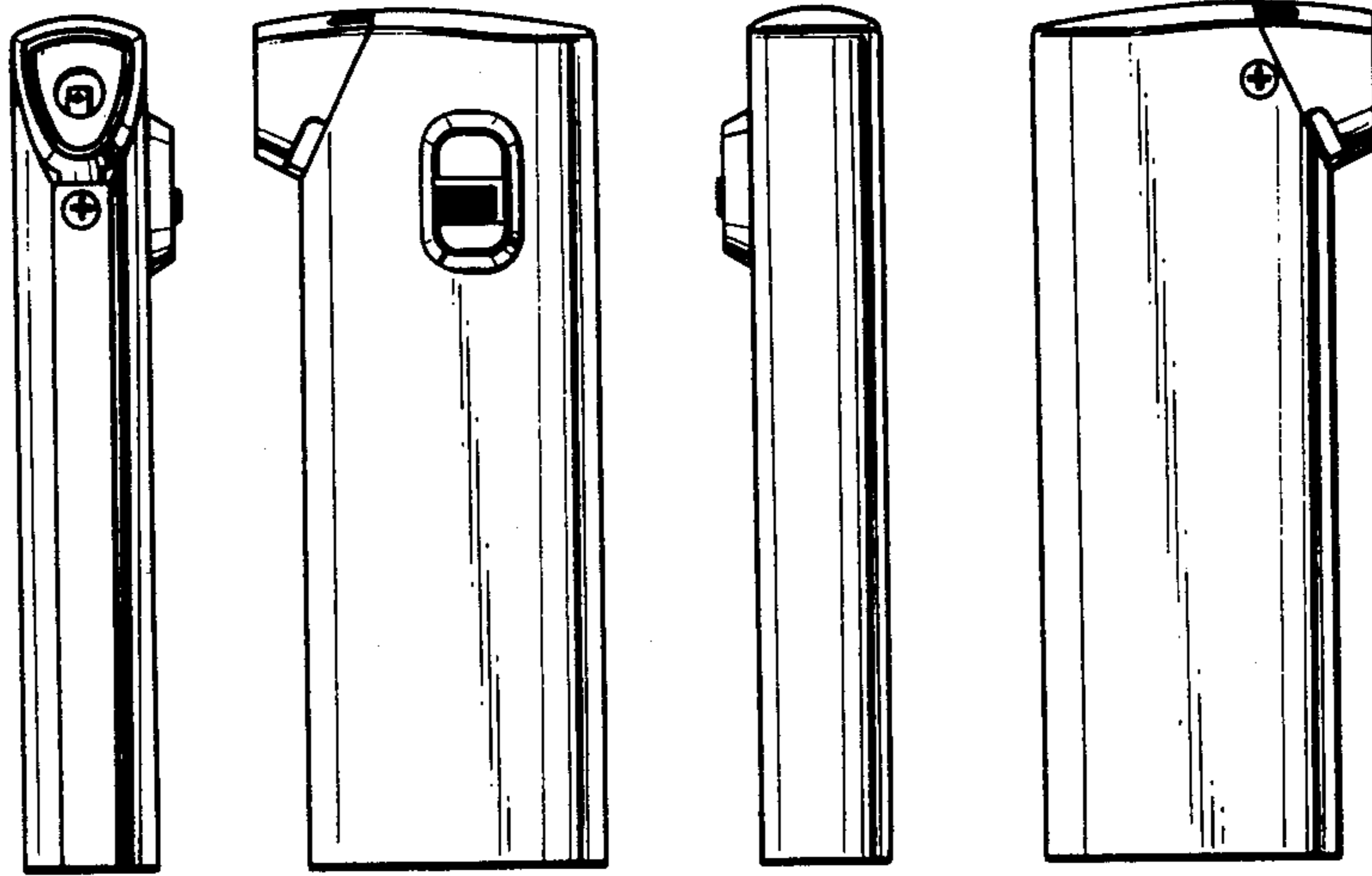


FIG.5

FIG.7

